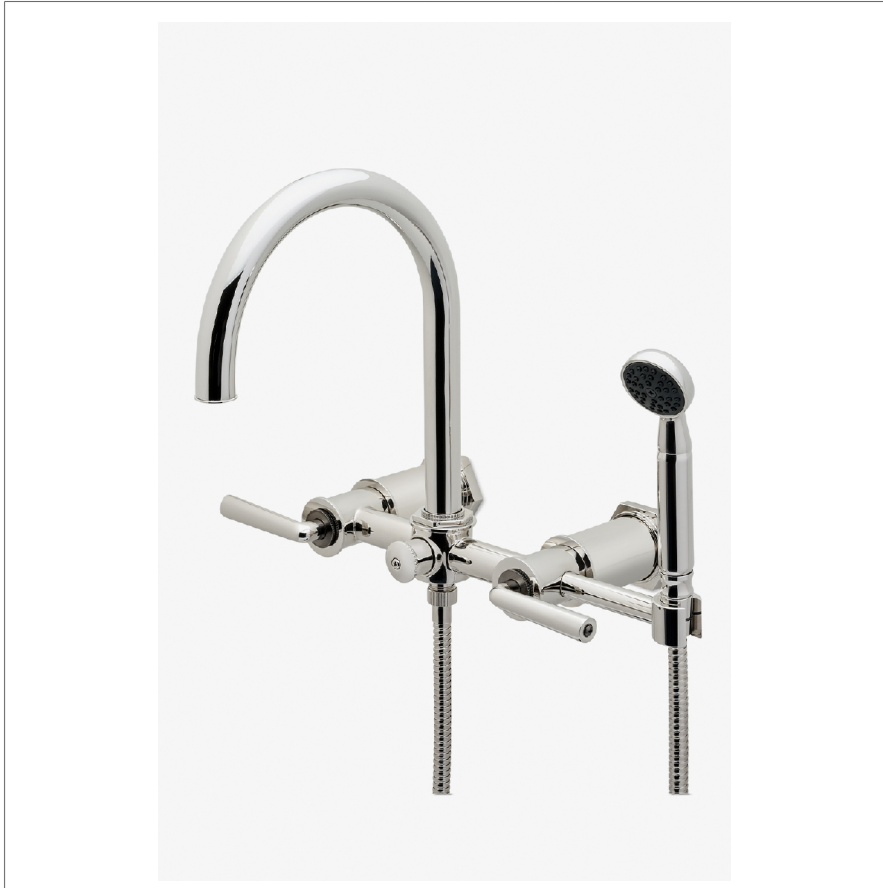


## HENRY

## HXT112

Henry Wall Mounted Exposed Tub Filler with Handshower and Two-Tone Lever Handles



SHOWN IN HENRY WALL MOUNTED EXPOSED TUB FILLER WITH HANDSHOWER AND TWO-TONE LEVER HANDLES | HXT112

### TECHNICAL DETAILS

ADA Compliance: No  
Fittings Hole Diameter: 1 3/8"  
Handle Spread Maximum: 8"  
Handle Spread Minimum: 8"  
Handle Turn Angle: Quarter Turn  
Handshower Spray Hose Length: 60"  
Inlet Connection Size: 3/4"  
Inlet Connection Type: Copper Sweat, NPT and 1/2"  
Female BSPP  
Inlet Supply Spread Maximum: 8"  
Inlet Supply Spread Minimum: 8"  
Integrated Diverter: Y  
Number Of Holes: Two Hole  
Pivot: Y  
Primary Material: Brass  
Restricted Maximum Flow Rate: 1.75 gpm  
Spout Swivel: N  
Spray Included In Unit: Y  
Valve Material: Brass and Ceramic  
Water Pressure Maximum: 85.0 psi  
Water Pressure Minimum: 20.0 psi  
Water Pressure Recommended: 45.0 psi

### INSPIRATION

Influenced by the connection of industry and art Henry easily transitions between modern, traditional, utilitarian and classic settings.

### CODES & STANDARDS

### PRODUCT FEATURES

Features Two Tone Lever Handles

Diverter Handle Allows Bather to Move Water From Spout to Handshower

Handshower Offers a Fixed Spray Pattern, Handshower Post Can Swivel to allow user to position Handshower over the tub

Stocked in Nickel/Dark Nickel and Brass/Dark Nickel

Unrestricted Flow for Tub Spout. Handshower Available in 1.75gpm (4.5L/min) Flow Rate

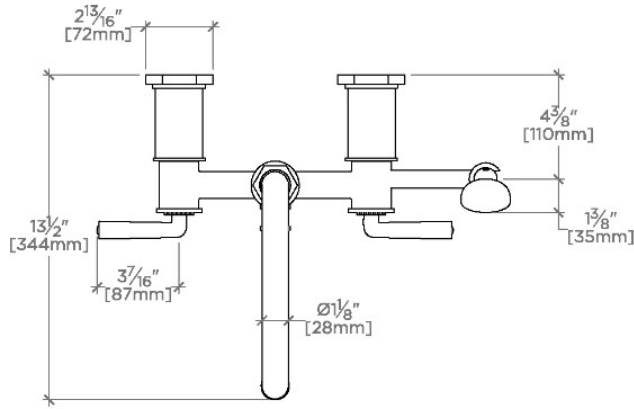
### CERTIFICATIONS

### PRODUCT (NOTES)

## HENRY

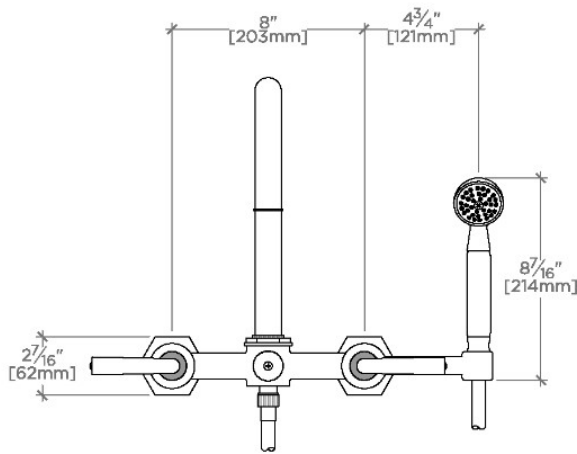
HXT112

Henry Wall Mounted Exposed Tub Filler with Handshower and Two-Tone Lever Handles



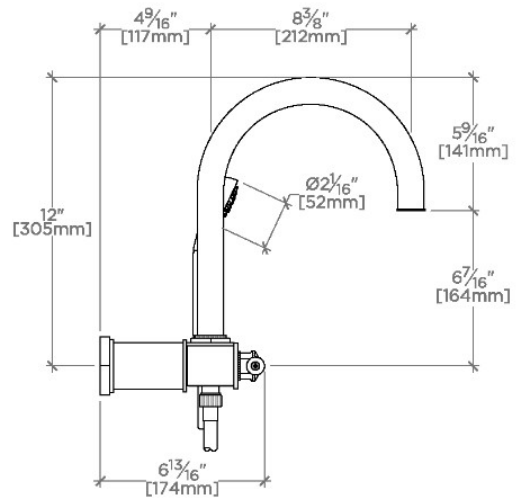
TOP VIEW

SCALE: 1 1/2"=1'-0"



FRONT VIEW

SCALE: 1 1/2"=1'-0"



SIDE VIEW

SCALE: 1 1/2"=1'-0"