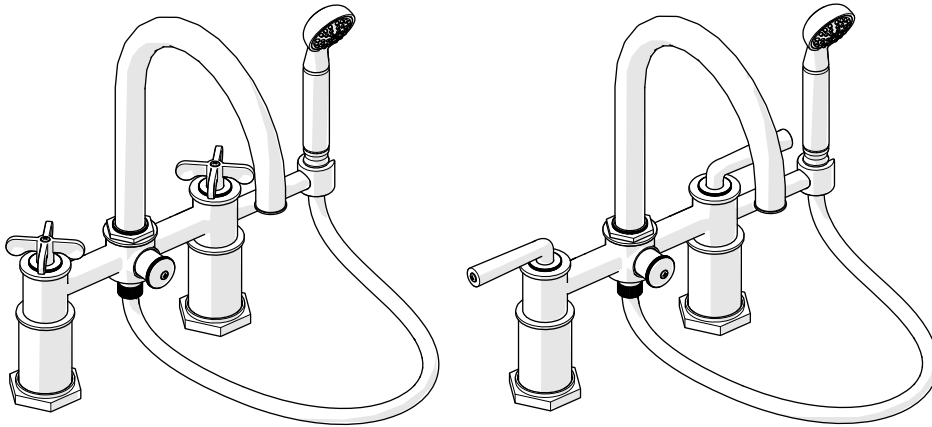


# INSTALLATION GUIDELINES

## DECK MOUNTED EXPOSED TUB FILLER

### HENRY AND HENRY CHRONOS DECK MOUNTED EXPOSED TUB FILLER WITH HANDSHOWER AND HANDLES



STYLES			
HXT201 [SHOWN]	HXT202	HXT211 [SHOWN]	HXT212
CXT201	CXT211	CXT214	CXT215

#### IMPORTANT:

- To ensure this product is installed properly, you must read and follow these guidelines.
- The owner/user of this product must keep this information for future reference.
- This product must be installed by a professional licensed contractor and must be on-site prior to rough-in. This allows the installer to visualize the installation and verify the 8" [203mm] on-center inlet supply spread. The inlet supply spread on this product is **NOT** adjustable.
- Check TUB measurements to ensure the SPOUT project far enough into the TUB.
- Run 3/4" supply lines for **MAXIMUM** flow and install ACCESSIBLE hot and cold service stop valves to facilitate servicing.
- Be sure your installation conforms to federal, state, and local codes.
  - Anti-scaled protection is the responsibility of the installer and according to applicable codes.
  - A water temperature limiting device is the responsibility of the installer and must be in accordance with ASSE 1070.
  - In the State of Massachusetts, all installations must comply with the rules and regulations set forth within 248 CMR.

- Inspect this product to ensure you have all the parts required for proper installation.
- Product is sold partially assembled but shown fully disassembled for illustrative and service purposes only.
- Use only a strap wrench or protected/smooth-jaw wrench on any finished surface.
- The use of certain plumber's putty may stain stone or tile surfaces.
- If further assistance is required, please contact Product Support at 1-800-927-2120 Monday through Friday, 8am - 6pm EST.
- Refer to the separate Service Parts Documents for available replacement parts.

#### TECHNICAL DETAILS:

DETAIL	SPECIFICATION
DIAMETER OF HANDSHOWER HEAD	2 1/6" [52mm]
DECK THICKNESS MAXIMUM	1-13/16" [46mm]
FITTINGS HOLE DIAMETER	1-1/4" [32 mm]
HANDLE TURN ANGLE	QUARTER TURN
HOSE LENGTH	60" [1.5m]
INLET CONNECTION	3/4" MALE NPT †
INLET SUPPLY SPREAD	8" [203mm] [NOT ADJUSTABLE]
INTEGRATED DIVERTER	YES [PUSH STYLE]
PIVOT	YES [HANDSHOWER HOOK ONLY]
SPOUT REACH	8 3/8" [212mm]
WATER PRESSURE MAXIMUM	85psi [6.0 bar]
WATER PRESSURE MINIMUM	20psi [1.5 bar]
WATER PRESSURE RECOMMENDED	45psi [3.0 bar]

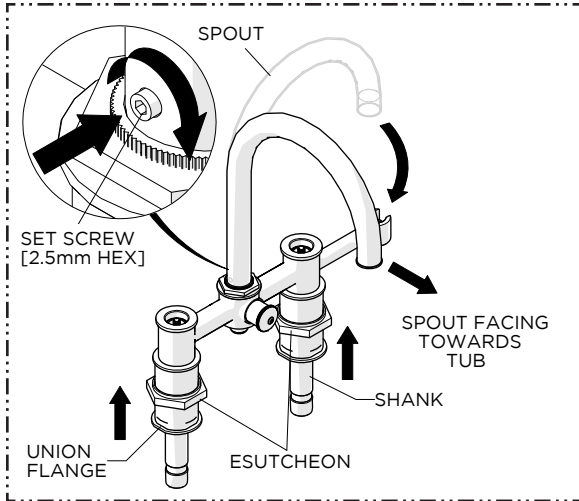
#### † For INTERNATIONAL USE ONLY,

- 3/4" Female NPT x 3/4" Male BSPP ADAPTERS are provided.
- Replacement ADAPTERS can be ordered separately:

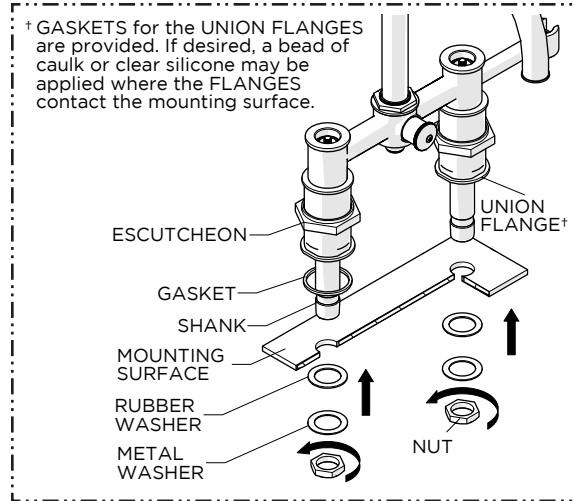
**Style No. UNUK05**

# INSTALLATION GUIDELINES

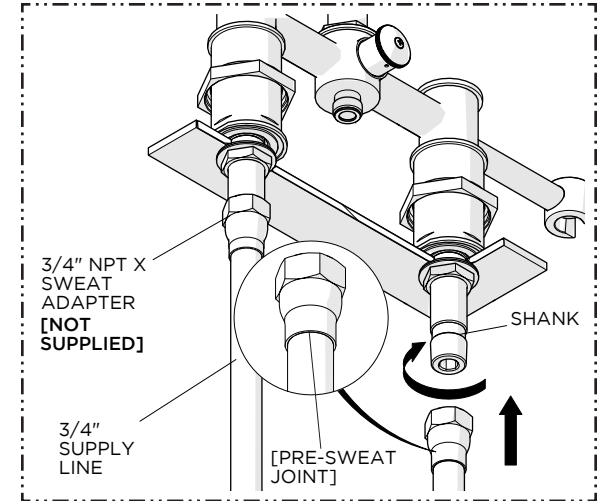
## DECK MOUNTED EXPOSED TUB FILLER



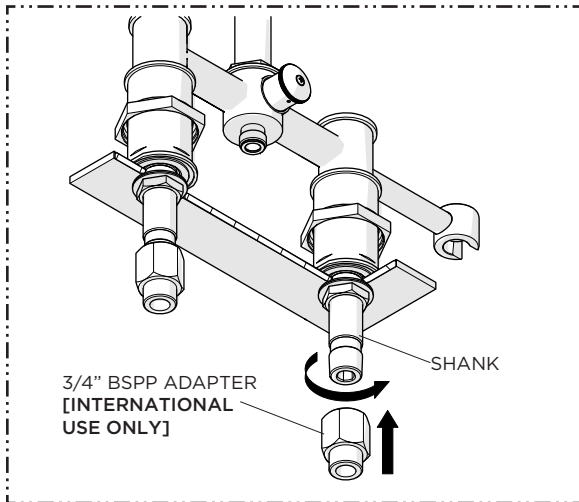
1. Align the SPOUT properly and securely tighten the SET SCREW at the base of the SPOUT then slide the ESCUTCHEONS up to expose the UNION FLANGES.



2. Insert the SHANKS into the holes on the mounting surface then attach the RUBBER and METAL WASHERS and NUTS onto the SHANKS. Securely tighten the NUTS against the underside of the mounting surface.

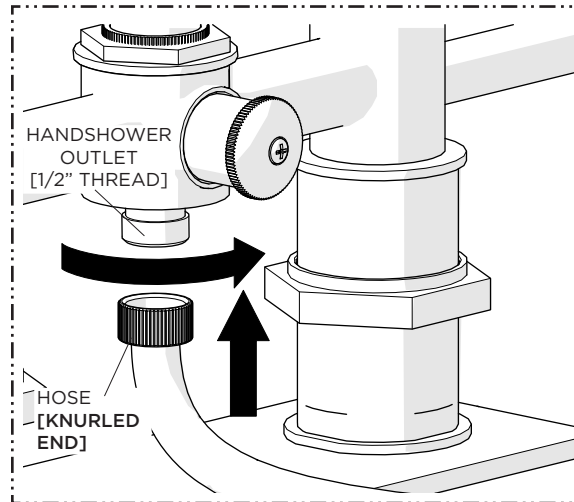


3. Pre-sweat 3/4" female NPT x sweat adapters to 3/4" supply lines and let cool. Apply a thin coat of pipe thread sealant to the male threads on the SHANKS then thread and securely tighten the ADAPTERS onto the SHANKS.

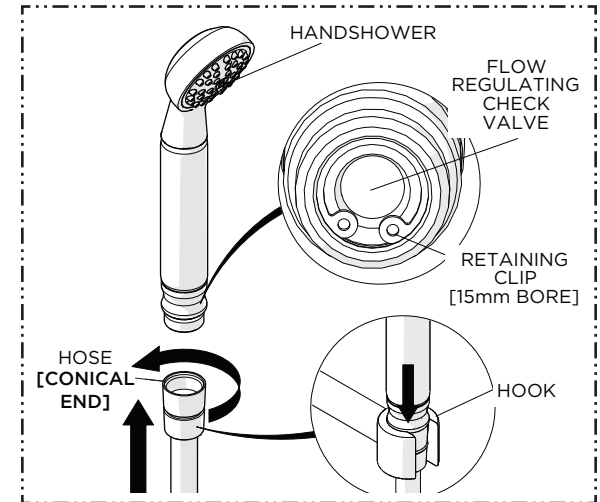


### FOR INTERNATIONAL INSTALLATIONS ONLY:

4. 3/4" female NPT x 3/4" male BSPP ADAPTERS are provided. Thread and securely tighten the ADAPTERS onto the SHANKS.



5. Thread the knurled end of the HOSE to the OUTLET on the VALVE BODY.

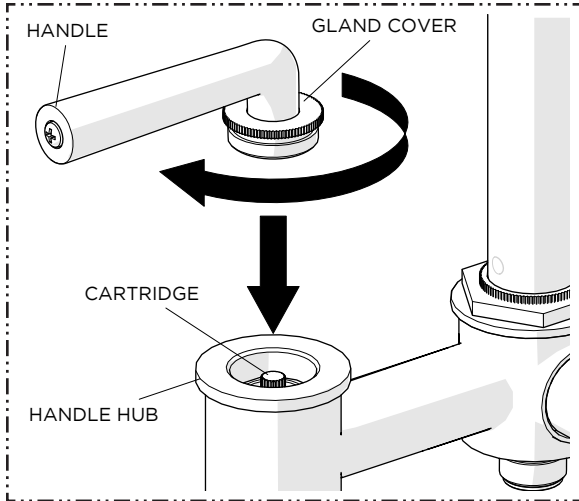


6. Thread the conical end of the HOSE to the HANDSHOWER then rest the HANDSHOWER on the HOOK.

**NOTE:** A FLOW REGULATING CHECK VALVE is located inside the inlet of the HANDSHOWER.

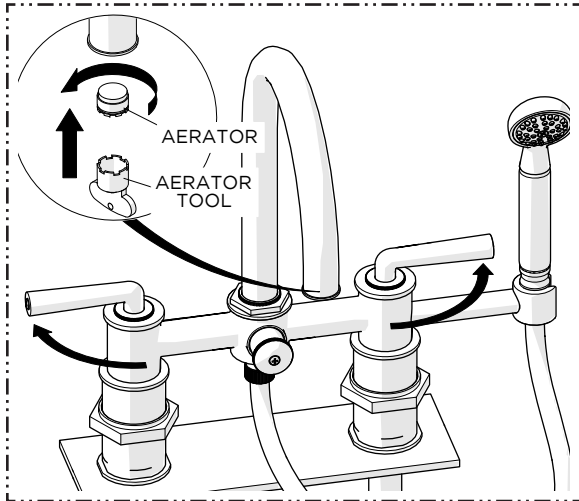
# INSTALLATION GUIDELINES

## DECK MOUNTED EXPOSED TUB FILLER

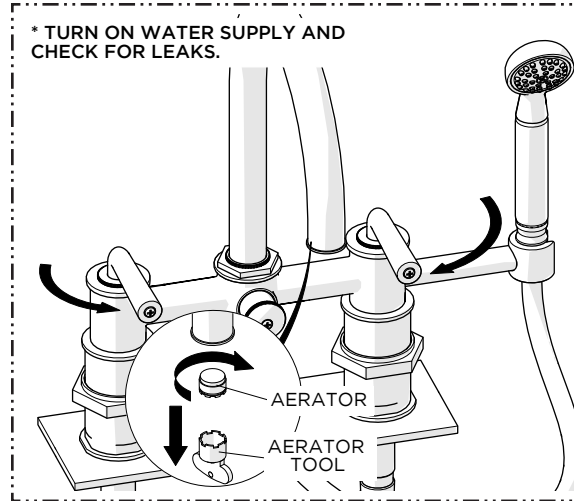


7. With the HANDLE held in the desired orientation, thread the GLAND COVER into the HANDLE HUB until snug.

**NOTE:** LEVER HANDLES should be installed horizontally in the OFF position.

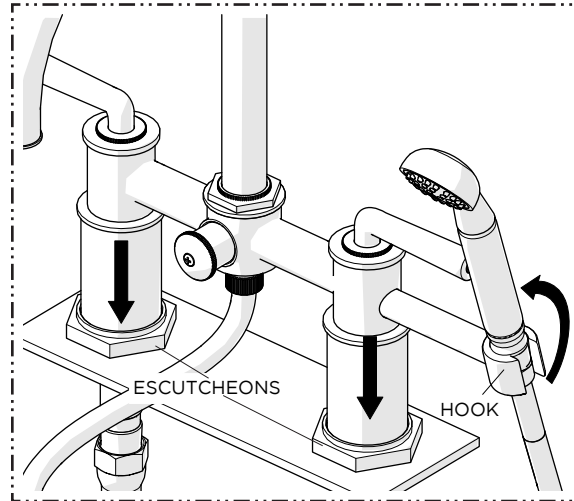


10. Turn off the water then re-install the AERATOR.

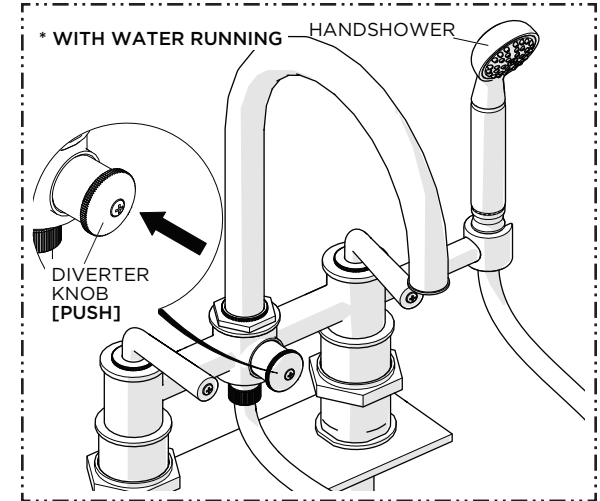


8. Remove the AERATOR using the TOOL provided then turn on the water supply and operate the HANDLES to flush out the supply lines and check all connections for leaks.

**NOTE:** Ensure the supply lines have been flushed before operating the DIVERTER KNOB.



11. Rotate the HOOK to the desired position then slide the ESCUTCHEONS down until they contact the mounting surface.

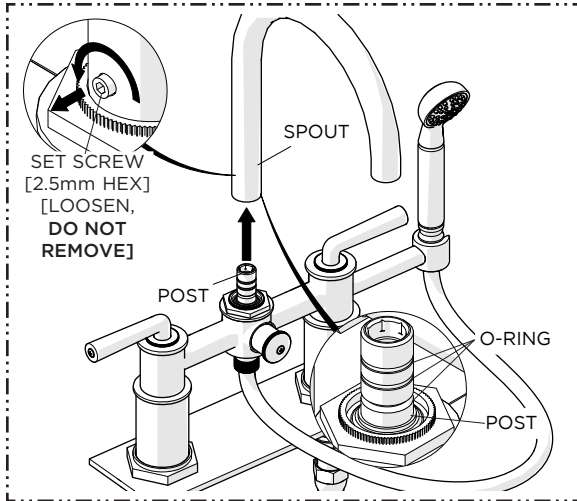


9. With water running, operate the DIVERTER KNOB to ensure it and the HANDSHOWER function properly.

# SERVICE GUIDELINES

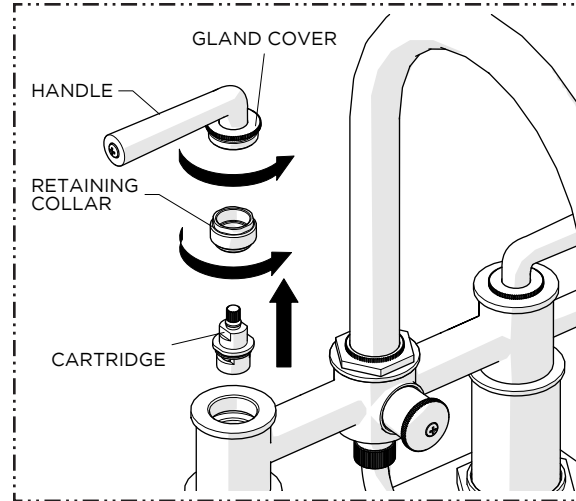
## DECK MOUNTED EXPOSED TUB FILLER

# WATERWORKS



### SERVICING THE SPOUT:

1. Loosen, but do NOT remove, the SET SCREW at the base of the SPOUT then remove the SPOUT to expose the POST and external O-RINGS.



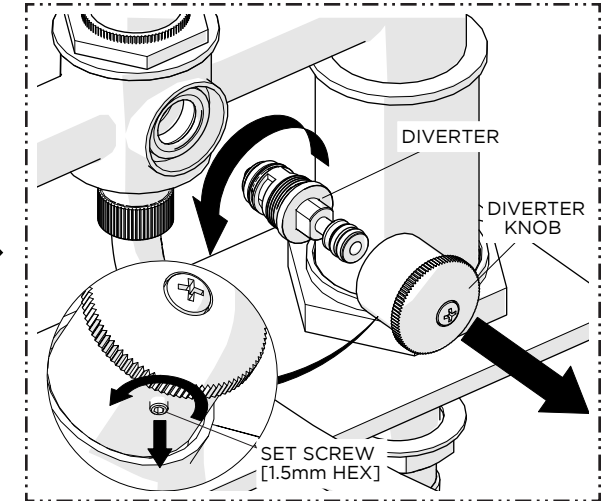
### SERVICING THE CARTRIDGE:

1. Unthread the GLAND COVER to remove the HANDLE, unthread and remove the RETAINING COLLAR, then remove the CARTRIDGE.

**NOTE:** Replacement CARTRIDGES can be ordered separately.

STYLE No. 100605 (Cold)

STYLE No. 100604 (Hot)



### SERVICING THE DIVERTER:

1. Loosen the SET SCREW then remove the KNOB to expose the DIVERTER. Unthread and remove the DIVERTER using a wrench.