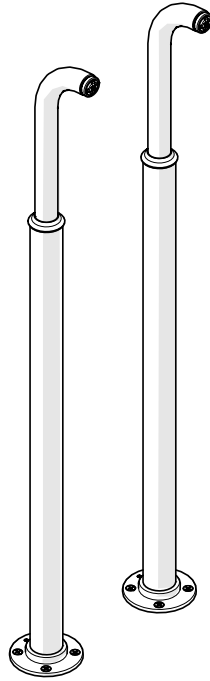


# INSTALLATION GUIDELINES

## FLOOR UNIONS

### UNIVERSAL PAIR OF 3-3/4" X 5-1/2" X 35" FLOOR UNIONS



STYLE
UNUN60

#### **IMPORTANT:**

- To ensure this product is installed properly, you must read and follow these guidelines.
- The owner/user of this product must keep this information for future reference.
- This product must be installed by a professional licensed contractor and must be on-site prior to rough-in. This allows the installer to visualize the installation and verify the on-center inlet supply spread depending on the TUB FILLER being installed. The inlet supply spread on this product varies.
- Run 3/4" supply lines for **MAXIMUM** flow and install **ACCESSIBLE** hot and cold service stop valves to facilitate servicing.
- Be sure your installation conforms to all federal, state, and local codes.
  - Anti-scaled protection is the responsibility of the installer and according to applicable codes.

- A water temperature limiting device is the responsibility of the installer and must be in accordance with ASSE 1070.
- In the State of Massachusetts, all installations must comply with the rules and regulations set forth within 248 CMR.
- Check TUB measurements to ensure the SPOUT project far enough into the TUB.
- Inspect this product to ensure you have all the parts required for proper installation.
- Product is sold partially assembled but shown fully disassembled for illustrative and service purposes only.
- Use only a strap wrench or protected/smooth-jaw wrench on any finished surface.
- The use of certain plumber's putty may stain stone or tile surfaces.
- If further assistance is required, please contact Product Support at 1-800-927-2120 Monday through Friday, 8am - 6pm EST.
- Refer to the separate Service Parts Documents for available replacement parts.

#### **TECHNICAL DETAILS:**

DETAIL	SPECIFICATION
FITTINGS HOLE DIAMETER	1-1/8" [29mm]
INLET CONNECTION	3/4" COPPER SWEAT
INLET SUPPLY SPREAD	VARY DEPENDING ON THE TUB FILLER BEING INSTALLED
WATER PRESSURE MAXIMUM	85psi [6.0 bar]
WATER PRESSURE MINIMUM	20psi [1.5 bar]
WATER PRESSURE RECOMMENDED	45psi [3.0 bar]

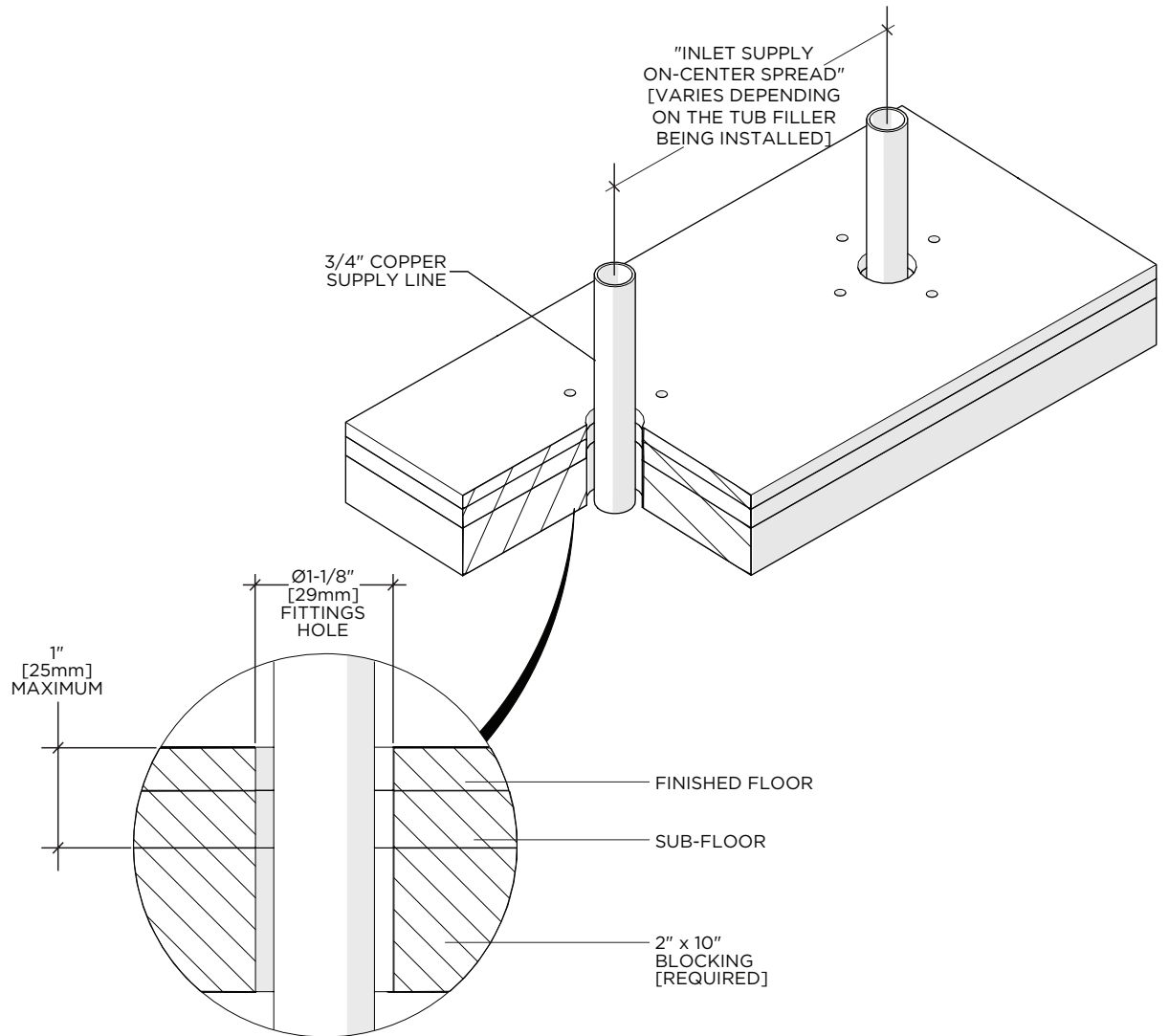
# INSTALLATION GUIDELINES

## FLOOR UNIONS

### ROUGH IN:

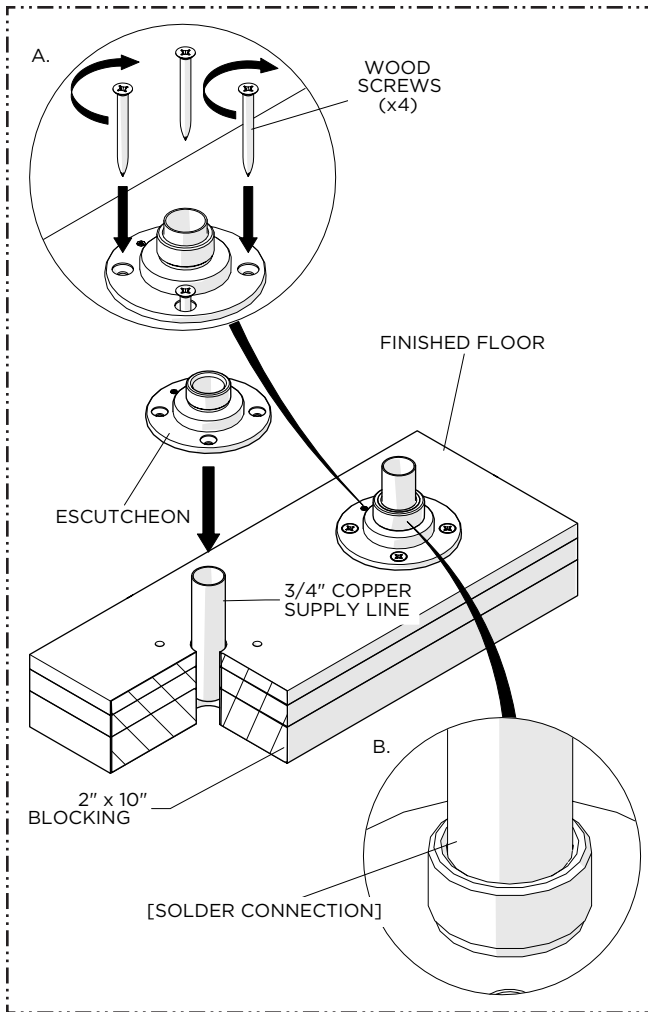
**WARNING:** The inlet supply spread VARIES depending on the TUB FILLER being installed and MAY NOT BE adjustable. If the rough-in is NOT accurate, it will make the installation difficult or impossible.

- Run well supported 3/4" hot and cold copper supply lines for **MAXIMUM** water flow. The 3/4" supply lines must be:
  - Securely anchored/strapped below sub-floor,
  - Level,
  - Perpendicular to the finished floor, and
  - Parallel to each other.
- Wood blocking is **REQUIRED** and should be no further than 1" from the finished floor for the MOUNTING SCREWS to create adequate support for the TUB FILLER.

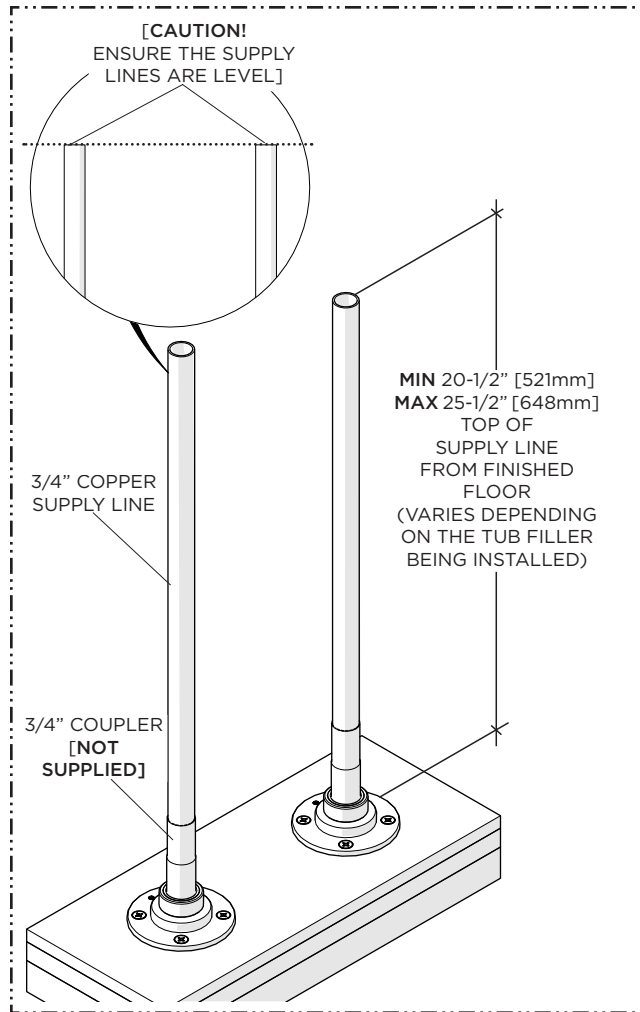


# INSTALLATION GUIDELINES

## FLOOR UNIONS



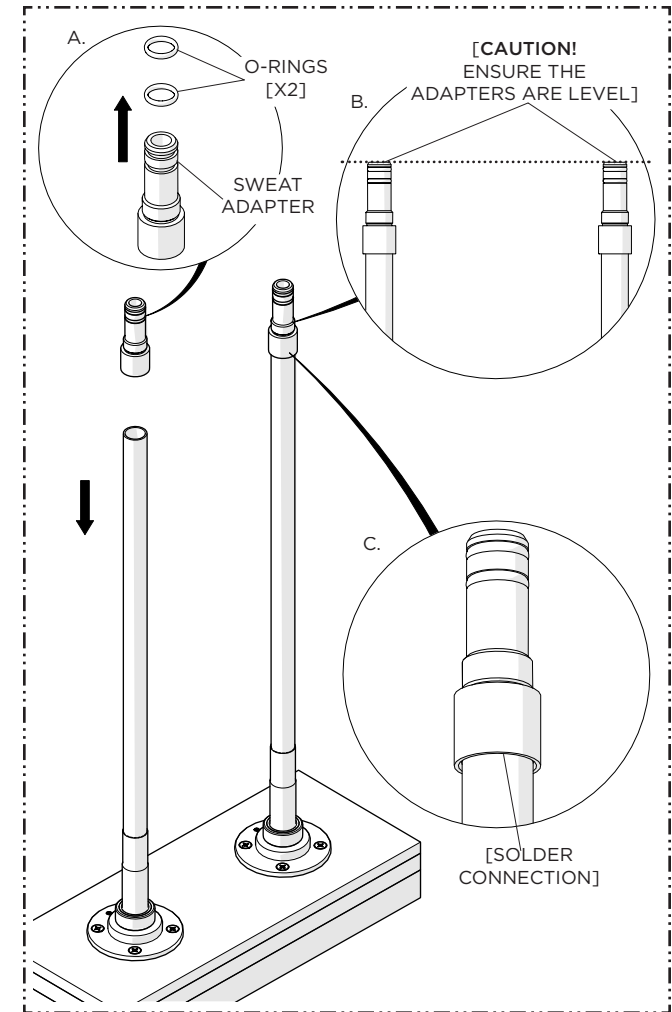
- Slide the ESCUTCHEONS over the SUPPLY LINES in the desired orientation then:
  - Secure each ESCUTCHEON using the SCREWS provided and
  - Solder the SUPPLY LINES to the inner diameter of the ESCUTCHEONS to ensure stability.



- Using 3/4" COUPLERS (not supplied), extend the supply lines to **MIN 20-1/2" [521mm]** - **MAX 25-1/2" [648mm]** above the finished floor. (Varies depending on the TUB FILLER being installed).
 

**NOTE:** Check TUB measurements to ensure the SPOUT projects far enough into the TUB.

**NOTE:** Ensure the SUPPLY LINES are level and free of any burrs.



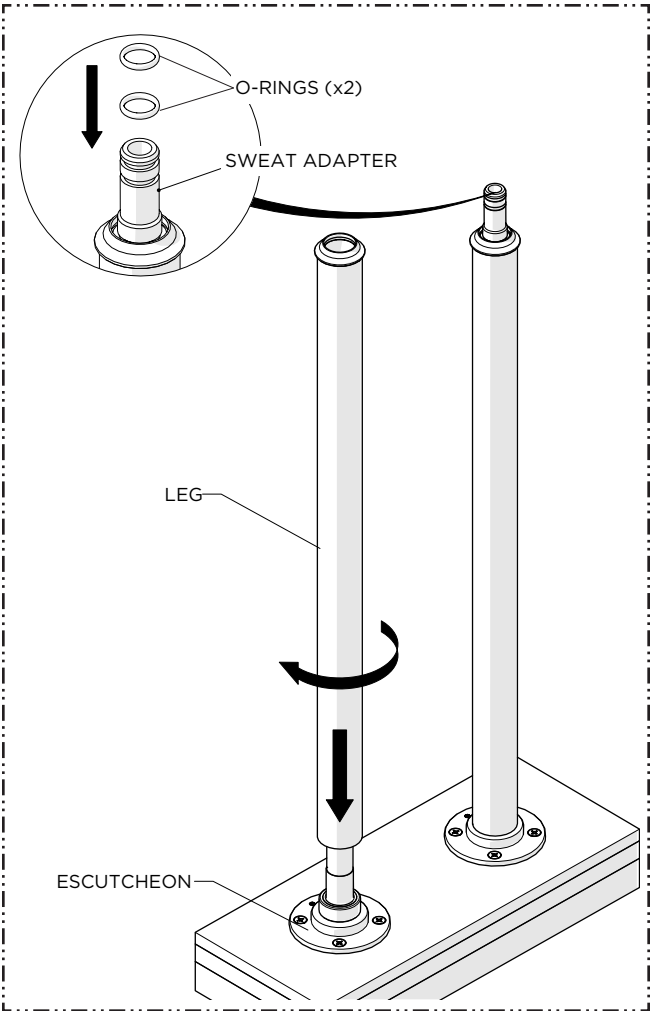
- Place the SWEAT ADAPTERS onto the SUPPLY LINES and ensure they are fully seated and level then solder the inner diameter of each ADAPTER to the SUPPLY LINE.
 

**CAUTION:** Remove the O-RINGS from the SWEAT ADAPTERS prior to soldering to prevent damaging them.

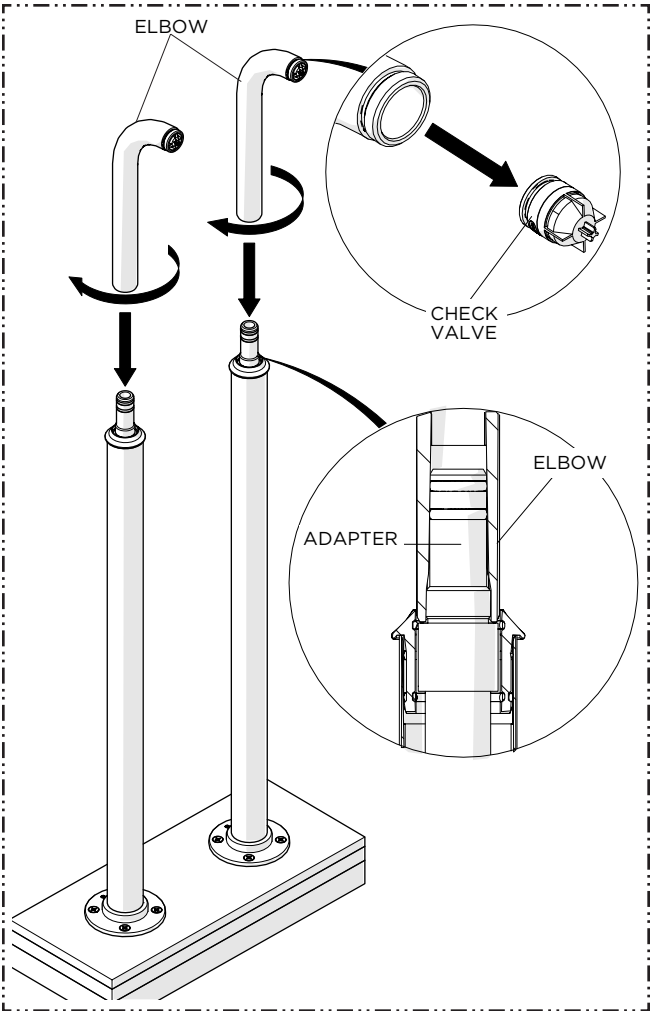
**CAUTION:** Ensure the ADAPTERS have remained level and at equal heights.

# INSTALLATION GUIDELINES

## FLOOR UNIONS



4. Thread and securely tighten the LEGS onto the ESCUTCHEONS then re-install the O-RINGS back onto the ADAPTERS.



5. Carefully slide the ELBOWS onto the ADAPTERS to prevent damaging or rolling the O-RINGS then evenly thread the ELBOWS onto the base of the ADAPTERS until snug. If misaligned, slightly unthread the ELBOWS to straighten them out.

**NOTE:** CHECK VALVES are located inside the ELBOWS to prevent crossover from occurring and if any servicing is required.

**NOTE:** The LEGS can also be capped with 3/4" caps and checked for leaks before the TUB FILLER is installed.

PROCEED TO THE TUB FILLER INSTALLATION GUIDELINES.