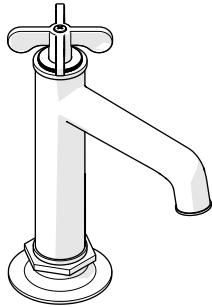


# INSTALLATION GUIDELINES

## ONE HOLE BAR FAUCET

### HENRY ONE HOLE BAR FAUCET WITH CROSSHANDLE



STYLES	
HKM401	HKM402

#### IMPORTANT:

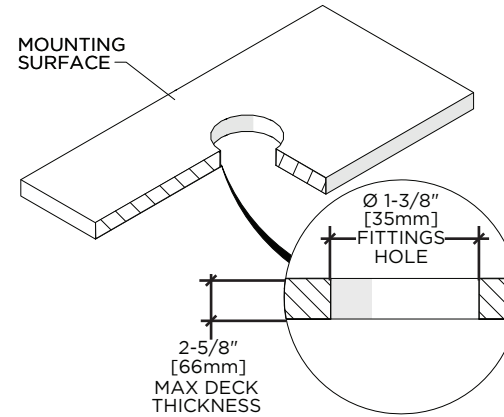
- To ensure this product is installed properly, you must read and follow these guidelines.
- The owner/user of this product must keep this information for future reference.
- This product must be installed by a professional licensed contractor.
- Be sure your installation conforms to all federal, state, and local codes. In the State of Massachusetts, all installations must comply with the rules and regulations set forth within 248 CMR.
- Inspect this product to ensure you have all the parts required for proper installation.
- This product is sold partially assembled but shown fully disassembled for illustrative and service purposes only.
- Flushing the SUPPLY VALVES (sold separately) prior to installing the BAR FAUCET is recommended. Flushing can prevent damage to the CARTRIDGE and other internal components.
- Use only a strap wrench or protected/smooth-jaw wrench on any finished surface.
- The use of certain plumber's putty may stain stone or tile surfaces.
- If further assistance is required, please contact Product Support at 1-800-927-2120 Monday through Friday, 8am - 6pm EST.
- Refer to the separate Service Parts Documents for available replacement parts.

# WATERWORKS

#### TECHNICAL DETAILS:

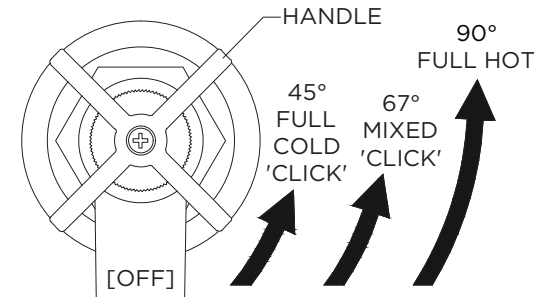
DETAIL	SPECIFICATION
INLET CONNECTION	3/8" COMPRESSION CONNECTOR HOSES †
SPOUT REACH	5-1/4" [133mm]
WATER PRESSURE	20psi [1.5 bar] <b>MINIMUM</b> - 85psi [6.0 bar] <b>MAXIMUM</b>
WATER PRESSURE RECOMMENDED	45psi [3.0 bar]

† For **INTERNATIONAL USE ONLY**, two 9/16"-24 UNEF MALE x 3/8" FEMALE BSPP ADAPTERS (STYLE No. UNUK08) and RUBBER WASHERS are provided.



#### HANDLE OPERATION:

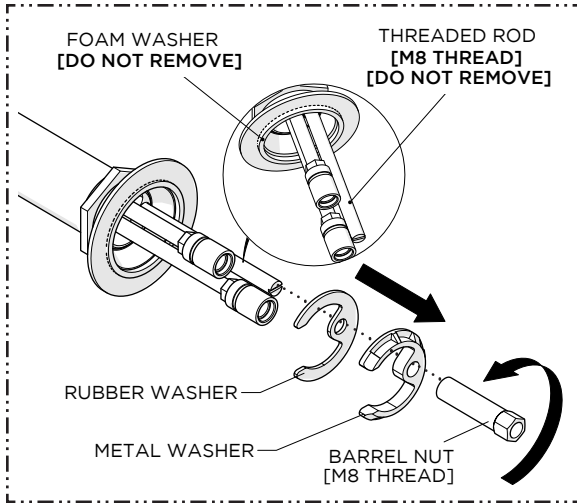
- This product is equipped with a PROGRESSIVE MIXING CARTRIDGE which incorporates tactile feedback.
  - The user will feel slight haptic bumps as they operate the HANDLE.
  - These bumps indicate when the CARTRIDGE is at full cold and warm water temperatures.
- The HANDLE rotates a 1/4 turn counterclockwise through cold, warm, and hot water temperatures as shown above.



# INSTALLATION GUIDELINES

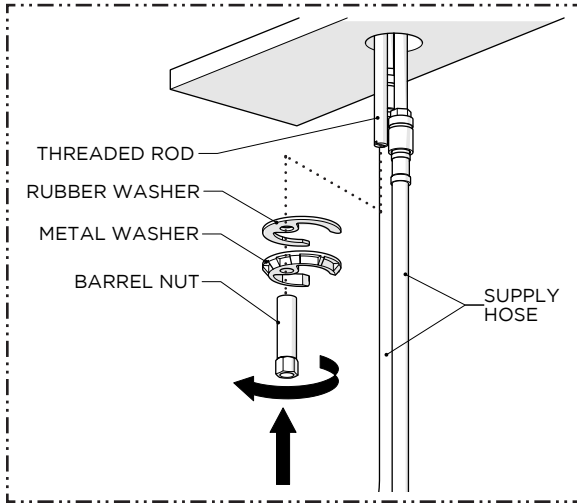
## ONE HOLE BAR FAUCET

WATERWORKS



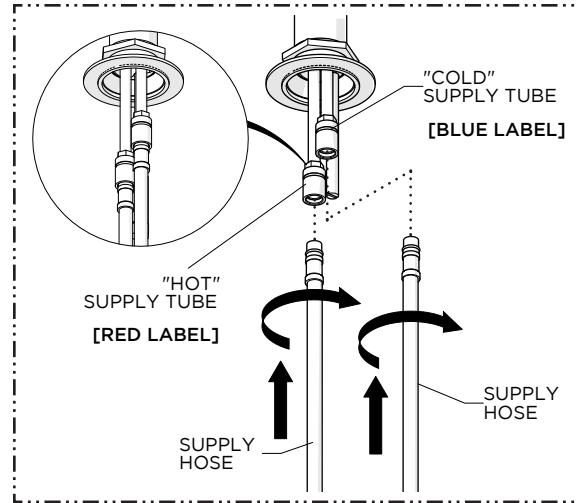
1. Remove the BARREL NUT, METAL WASHER, and RUBBER WASHER from the THREADED ROD.

**NOTE:** Do **NOT** remove the THREADED ROD or FOAM WASHER beneath the ESCUTCHEON.



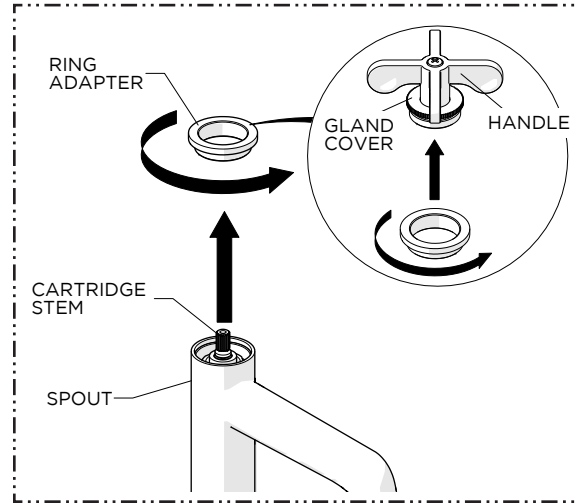
4. Slide the RUBBER and METAL WASHERS back onto the THREADED ROD then thread and securely tighten the BARREL NUT onto the ROD.

**NOTE:** Ensure the WASHERS fit properly around the TUBES and HOSES.

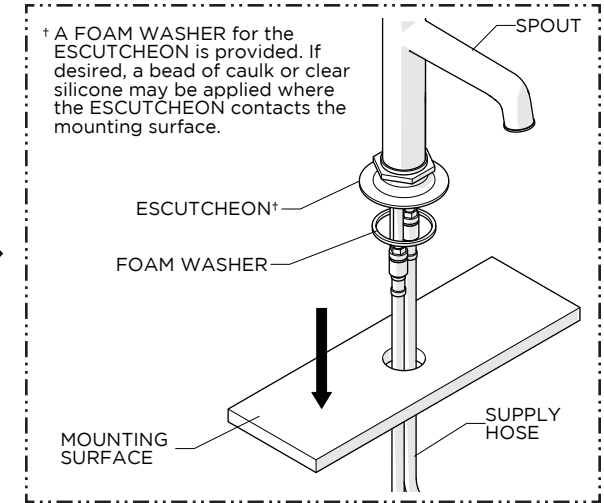


2. Thread and securely tighten the SUPPLY HOSES onto the SUPPLY TUBES on the SPOUT.

**NOTE:** The HOSES are M10 x 3/8" COMPRESSION CONNECTOR HOSES and the TUBES are marked BLUE for cold and RED for hot.

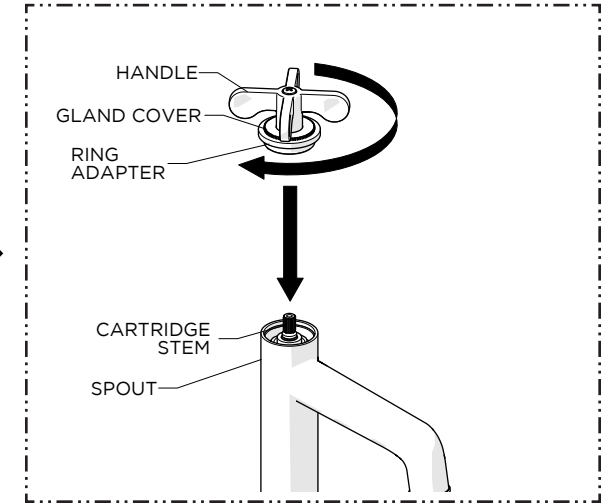


5. Unthread and remove the RING ADAPTER from the SPOUT, then thread the ADAPTER onto the GLAND COVER until snug.



3. Insert the SUPPLY HOSES through the hole on the mounting surface making sure the FOAM WASHER provided is beneath the ESCUTCHEON.

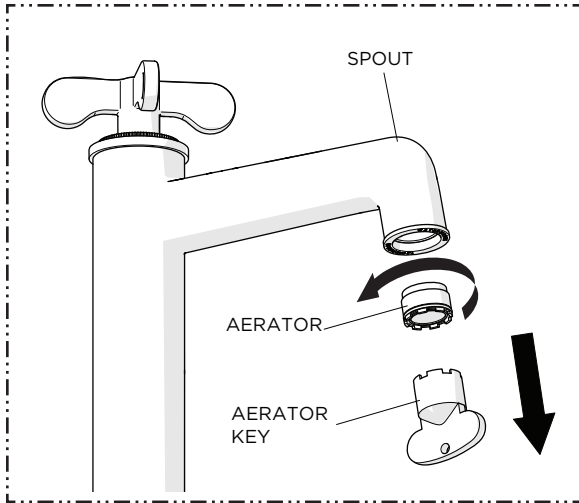
† A FOAM WASHER for the ESCUTCHEON is provided. If desired, a bead of caulk or clear silicone may be applied where the ESCUTCHEON contacts the mounting surface.



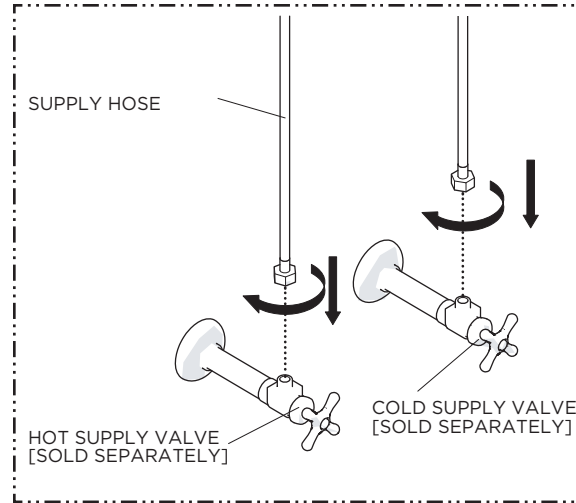
6. With the HANDLE held horizontally thread the RING ADAPTER into the SPOUT until snug.

# INSTALLATION GUIDELINES

## ONE HOLE BAR FAUCET

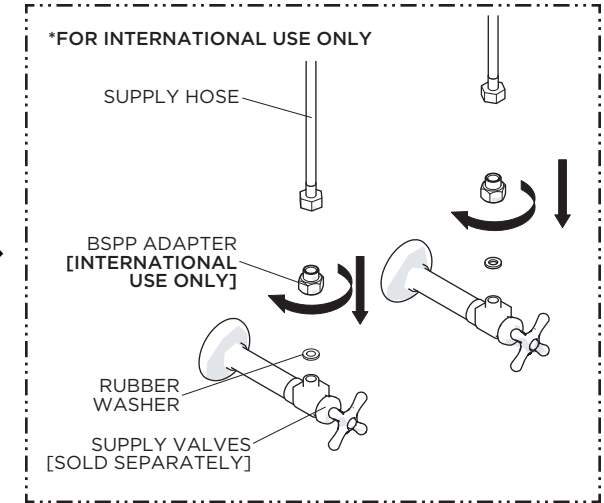


7. Remove the AERATOR from the SPOUT using the tool provided.



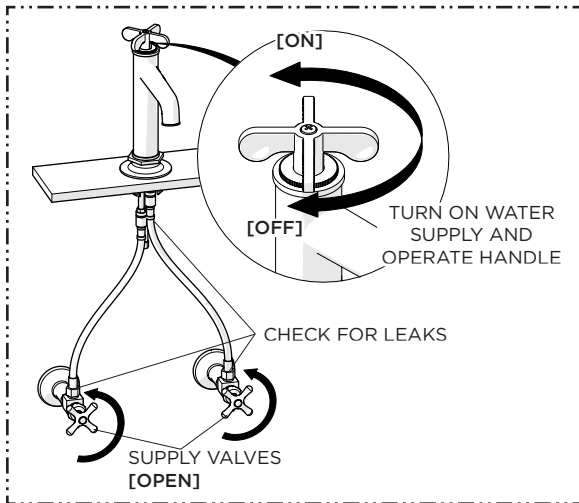
8. Connect the SUPPLY HOSES to the SUPPLY VALVES [SOLD SEPARATELY].

**NOTE:** The HOSES are connected to SUPPLY TUBES that are marked BLUE for COLD and RED for HOT.



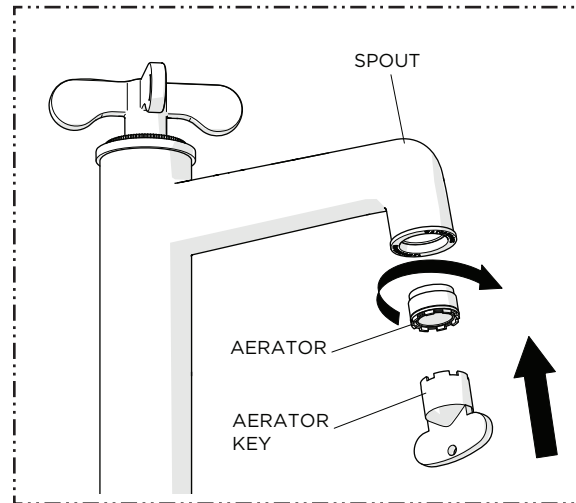
**FOR INTERNATIONAL USE ONLY**

9. Using the RUBBER WASHERS provided, thread and securely tighten the BSPP ADAPTERS onto the SUPPLY VALVES then thread and securely tighten the SUPPLY HOSES onto the ADAPTERS.



10. Turn on the water supply to flush out the supply lines and inspect all connections for leaks.

**NOTE:** Flushing the SUPPLY VALVES prior to installing the FAUCET is recommended to avoid damaging the CARTRIDGE.

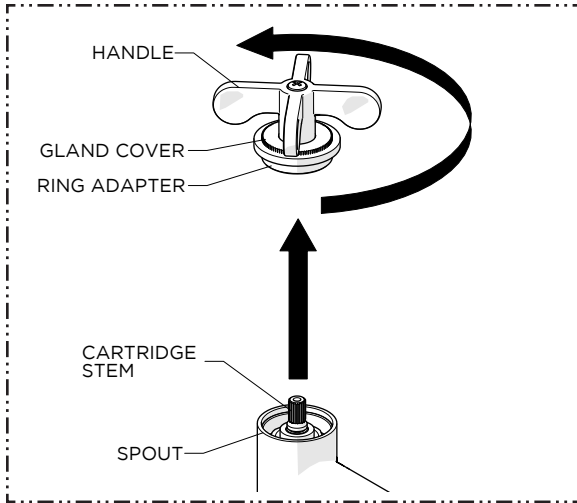


11. Re-install the AERATOR using the tool provided.

**NOTE:** A replacement AERATOR (STYLE No. 104245) and KEY (STYLE No. 999191) can be ordered separately.

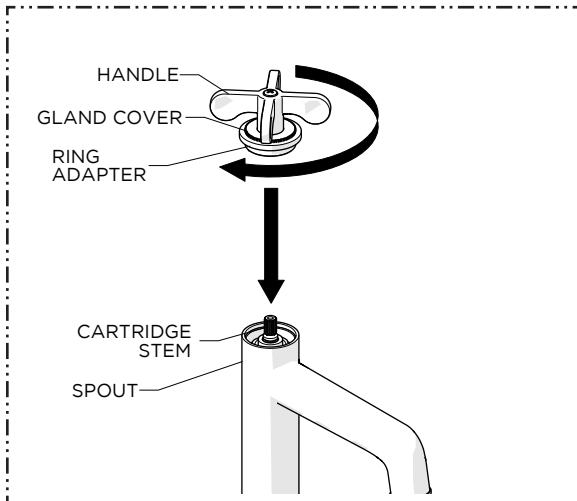
# SERVICE GUIDELINES

## ONE HOLE BAR FAUCET

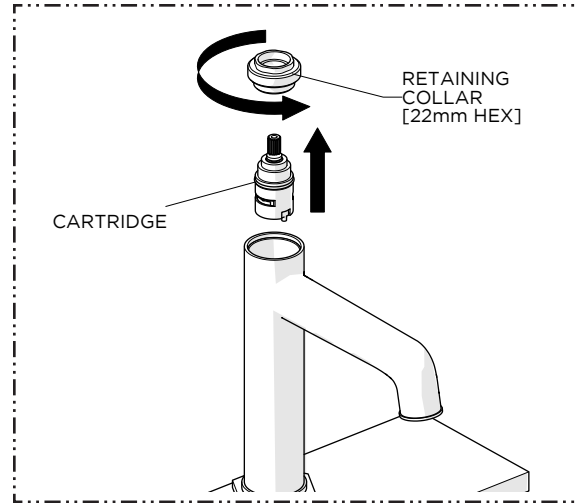


### SERVICING THE CARTRIDGE:

1. Unthread the RING ADAPTER along with the GLAND COVER from the SPOUT then pull the HANDLE off.

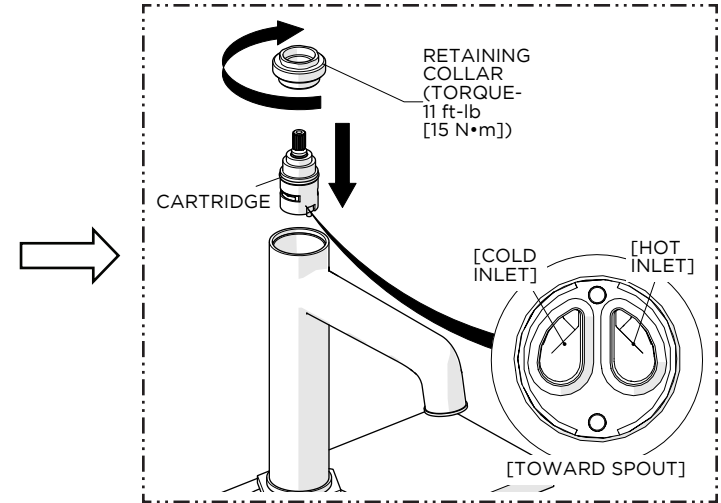


4. With the HANDLE held horizontally thread the RING ADAPTER into the SPOUT until snug.



2. Unthread and remove the RETAINING COLLAR then pull the CARTRIDGE out.

**NOTE:** A replacement CARTRIDGE (STYLE No. 100597) can be ordered separately.



3. Insert the CARTRIDGE back into the SPOUT as shown then thread and tighten the RETAINING COLLAR to the specified torque settings shown.

**NOTE:** Exceeding the specified torque will damage the CARTRIDGE.