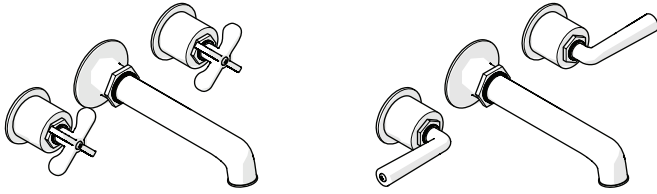


INSTALLATION GUIDELINES

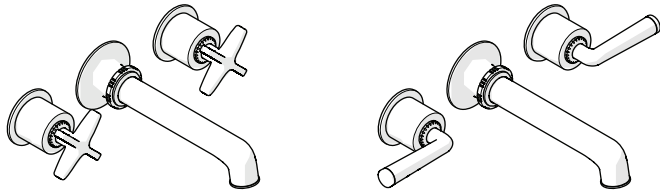
WALL MOUNTED LAVATORY FAUCETS

HENRY WALL MOUNTED LAVATORY FAUCET



STYLES		
HLS301 [SHOWN]	HLS302	HLS303
HLS311 [SHOWN]	HLS312	HLS313

CHRONOS WALL MOUNTED LAVATORY FAUCET



STYLES		
CLS301 [SHOWN]	CLS311 [SHOWN]	CLS314
CLS315		

IMPORTANT:

- To ensure this product is installed properly, you must read and follow these guidelines.
- The owner/user of this product must keep this information for future reference.
- This product must be installed by a professional licensed contractor and must be on-site prior to rough-in. This allows the installer to visualize the installation.
- Be sure your installation conforms to all federal, state, and local codes. In the State of Massachusetts, all installations must comply with the rules and regulations set forth within 248 CMR.
- **FAUCET AND VALVE ARE SOLD SEPARATELY.**
- Inspect this product to ensure you have all the parts required for proper installation.
- This product is sold partially assembled but shown fully disassembled for illustrative and service purposes only.

- Check COUNTERTOP and SINK measurements to ensure the FAUCET projects far enough over the SINK.
- Use only a strap wrench or protected/smooth-jaw wrench on any finished surface.
- **CAUTION:** Flushing the SUPPLY VALVES (sold separately) prior to installing the LAVATORY FAUCET is recommended. Flushing can prevent damage to the CARTRIDGES and other internal components.
- The use of certain plumber's putty may stain stone or tile surfaces.
- If further assistance is required, please contact Product Support at 1-800-927-2120 Monday through Friday, 8am - 6pm EST.
- Refer to the separate Service Parts Documents for available replacement parts

REQUIRED PLUMBING DETAILS:

- ViaWorks 1/2" Lavatory Wall Mounted Valve (Used with Lever Handle Lavatory Faucets)
STYLE No.GULV25, GU25LV[†]
- ViaWorks 1/2" Lavatory Wall Mounted Valve (Used with Cross or Wheel Handle Lavatory Faucets)
STYLE No.GULV27, GU27LV[†]

TECHNICAL DETAILS:

DETAIL	SPECIFICATION
DRAIN DEPTH	2" [51mm] MAX 3/8" [10mm] MIN
DRAIN HOLE DIAMETER	1-1/2" [41mm]
DRAIN STYLE	PUSH-TOUCH
HANDLE TURN ANGLE	QUARTER TURN
INLET CONNECTION - SPOUT	1/2" FEMALE NPT [†]
SPOUT REACH	7-7/8" [200mm]
WATER PRESSURE	85psi [6.0 bar] MAX 20psi [1.5 bar] MIN
WATER PRESSURE RECOMMENDED	45psi [3.0 bar]

[†] For INTERNATIONAL USE ONLY,

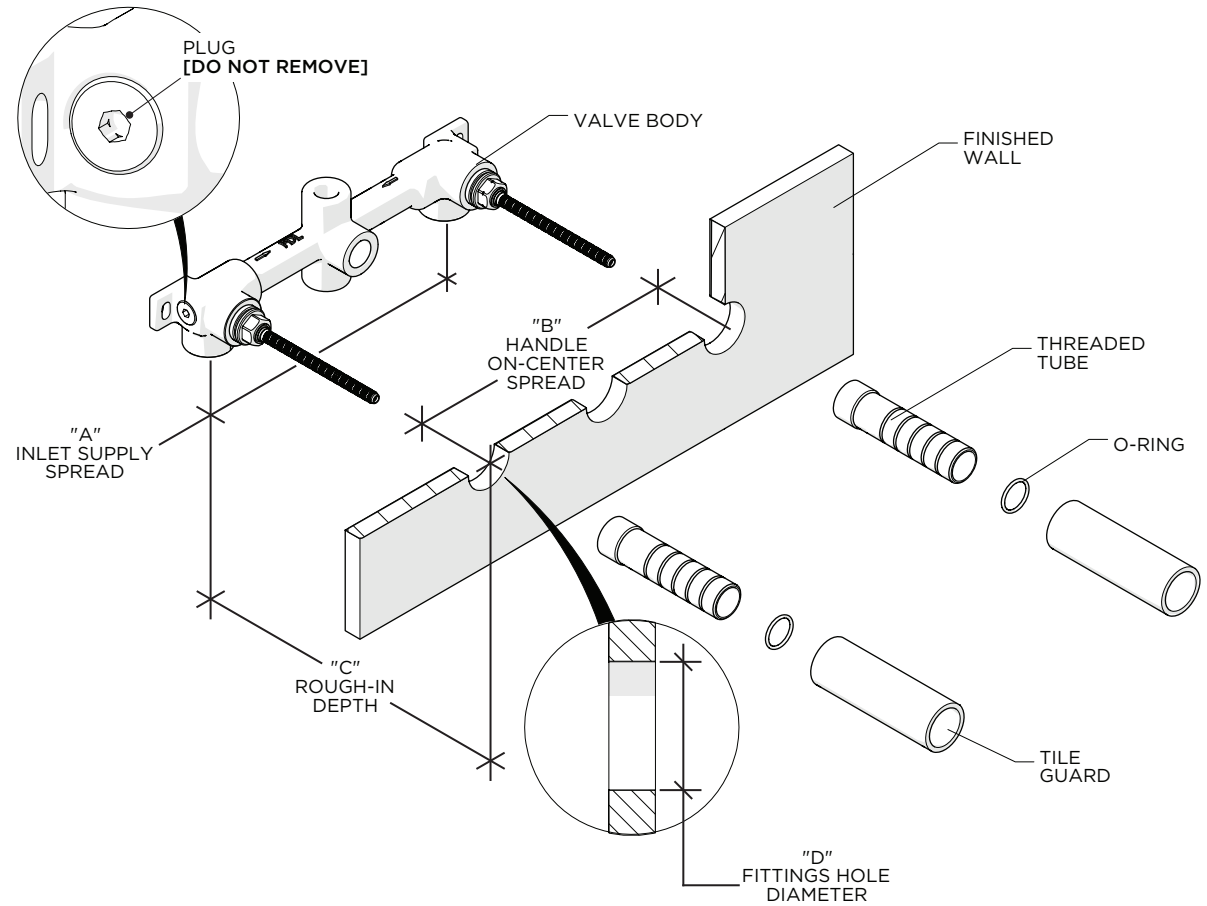
- A 1/2" Male NPT x 1/2" Male BSPP ADAPTER for the SPOUT is provided. The BSPP end of the ADAPTER may be field cut.

INSTALLATION GUIDELINES

WALL MOUNTED LAVATORY FAUCETS

ROUGH-IN AND VALVE PREPARATION:

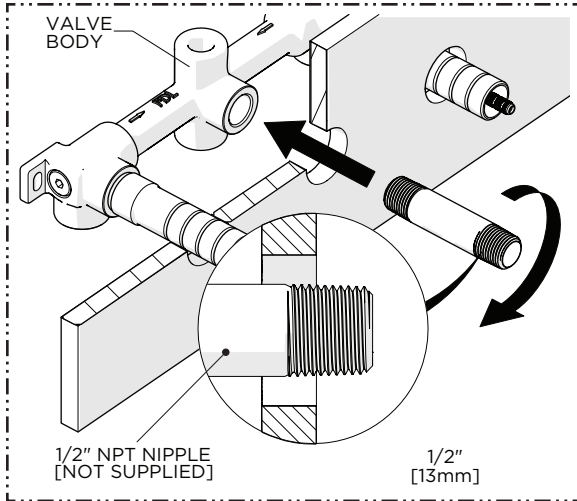
- Refer to the Installation Guidelines provided with the VALVE for complete rough-in installation details and related information.
- Remove and discard the TILE GUARDS only when the finished wall surface (TILE or SLAB) is completed and the FAUCET is ready to be installed.
- **CAUTION:**
 - Mark and remove the THREADED TUBES **before** cutting. Do NOT cut the end with the internal threads.
 - Mark and remove the CARTRIDGES using a 21/32" [17mm] shower valve socket wrench (not provided) **before** cutting.
- **ROUGH-IN DEPTH**
 - The rough-in depth is measured from the centerline of the inlets to the surface of the finished wall and must be between 4-1/4" [108mm] **MAXIMUM** and 2-1/2" [64mm] **MINIMUM**.
- **ROUGH-IN HEIGHT**
 - The rough-in height must allow for a **MINIMUM** of 1-1/2" [38mm] air gap between the end of the SPOUT and the flood level rim of the SINK or FIXTURE the SPOUT is being installed over.
 - The rough-in height must provide the HANDLES enough clearance to fully open. This will vary depending on the TRIM being used.



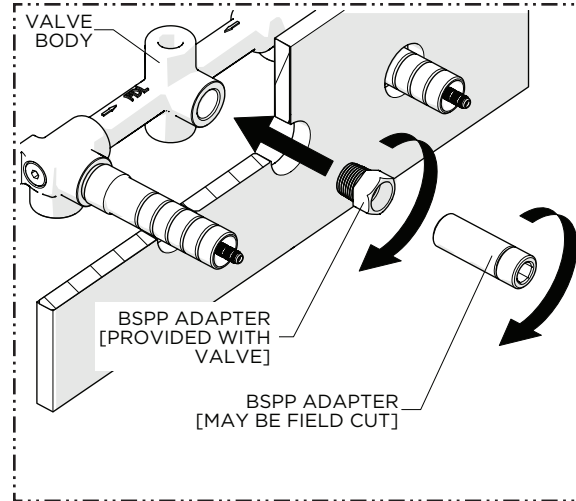
DIMENSION	VALUE
A	8" [203mm] NOT ADJUSTABLE
B	8" [203mm] NOT ADJUSTABLE
C	4-1/4" [108mm] MAX 2-1/2" [64mm] MIN
D	Ø1-3/8" [35mm]

INSTALLATION GUIDELINES

WALL MOUNTED LAVATORY FAUCETS

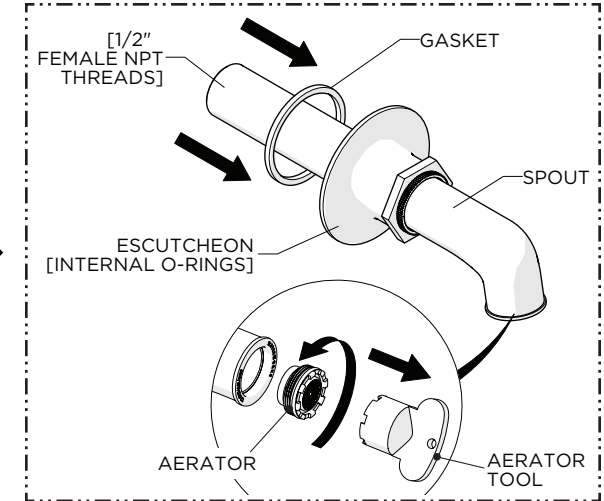


1. Thread a 1/2" NPT NIPPLE [not supplied] of appropriate length into the VALVE making sure it protrudes 1/2" [13mm] from the finished wall.

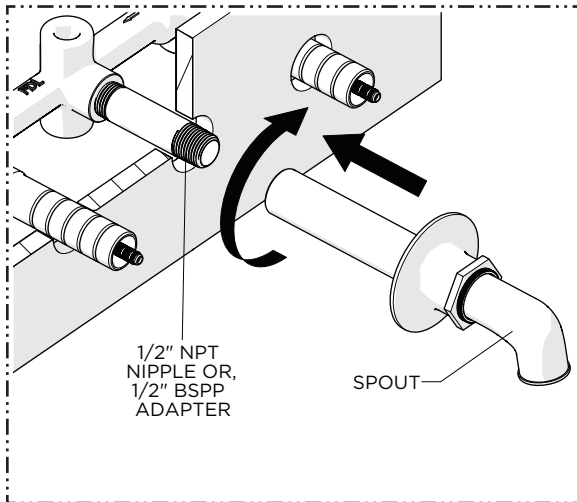


FOR INTERNATIONAL INSTALLATIONS ONLY

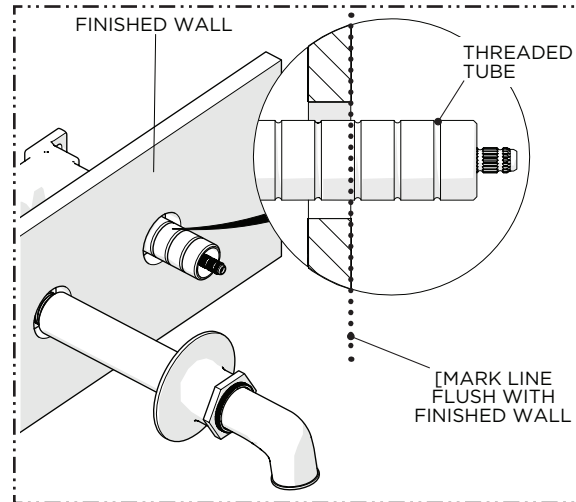
2. A BSPP ADAPTER is provided with the VALVE and a another, which may be field cut, is provided with the FAUCET. Thread and securely tighten the ADAPTERS into the VALVE making sure they protrude a 1/2" [13mm] from the finished wall.



3. Using the tool provided, remove the AERATOR from the SPOUT then carefully slide the ESCUTCHEON and GASKET up the SPOUT.

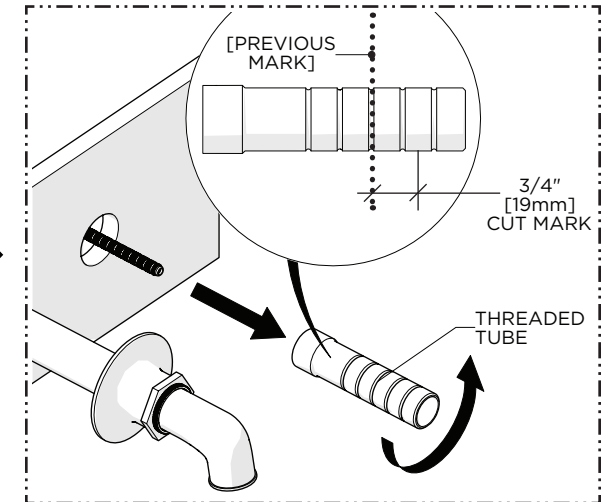


4. Thread and securely tighten the SPOUT onto the NPT NIPPLE or BSPP ADAPTER.



5. Mark the THREADED TUBE where it protrudes past the finished wall.

NOTE: A straight edge (not supplied) can be used to mark the TUBE.

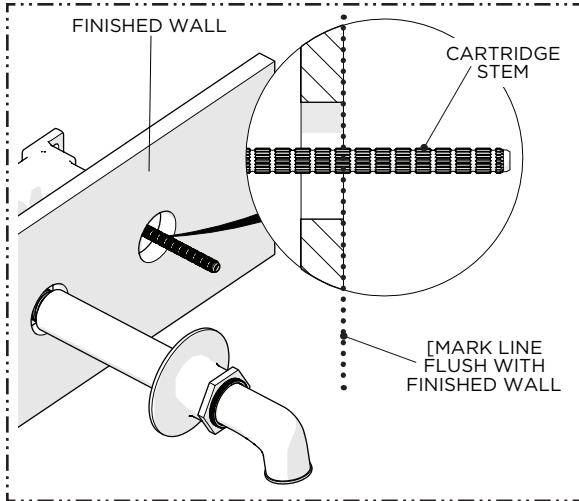


6. Remove the THREADED TUBE then cut it 3/4" [19mm] in front of the previous mark.

NOTE [GULV25 ONLY]: Do NOT cut the end of the THREADED TUBE with the female threads.

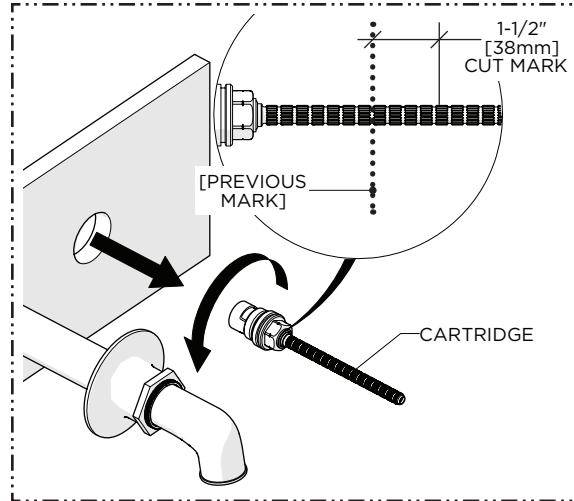
INSTALLATION GUIDELINES

WALL MOUNTED LAVATORY FAUCETS

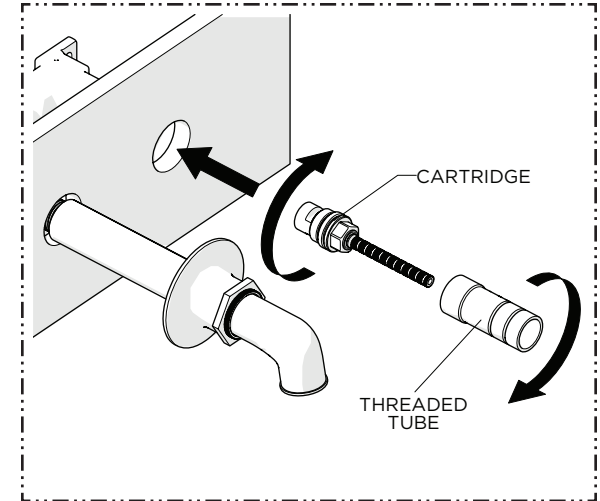


7. Mark the CARTRIDGE STEM where it protrudes past the finished wall.

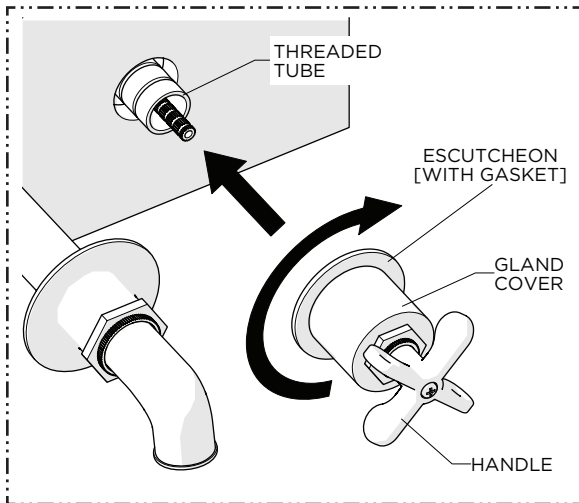
NOTE: A straight edge (not supplied) can be used to mark the CARTRIDGE STEM.



8. Remove the CARTRIDGE using a 21/32" [17mm] shower valve socket wrench (not provided) then cut the STEM 1-1/2" [38mm] in front of the previous mark.

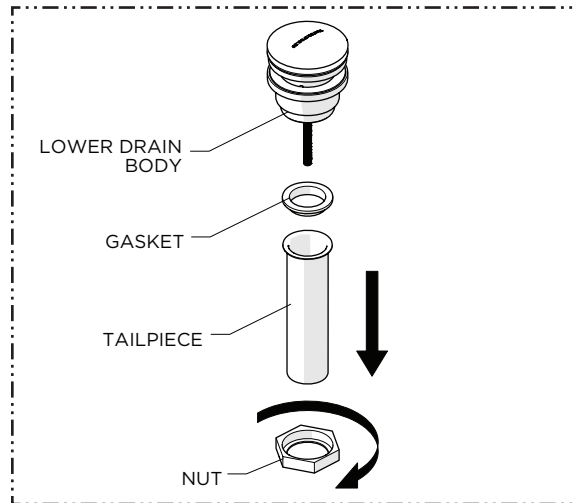


9. Thread and securely tighten the CARTRIDGE back into the VALVE then thread the THREADED TUBE back onto the CARTRIDGE until snug.

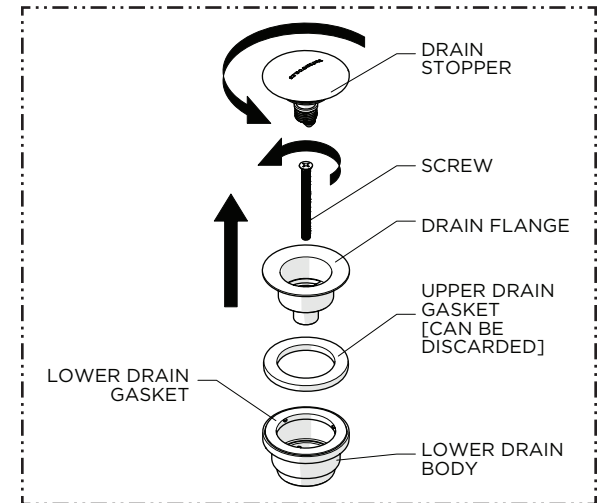


10. Place the HANDLE over the CARTRIDGE STEM in the desired orientation then thread and securely tighten the GLAND COVER onto the THREADED TUBE until snug.

➤ REPEAT STEPS 5 - 10 FOR THE SECOND HANDLE.



11. Unthread and remove the NUT, TAILPIECE, and GASKET from the LOWER DRAIN BODY.

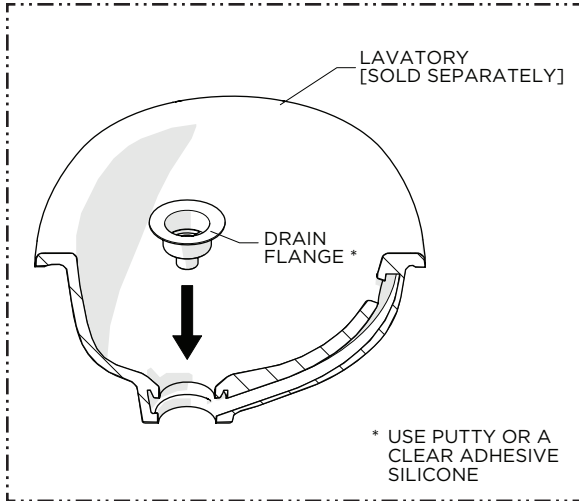


12. Remove the DRAIN STOPPER from the DRAIN FLANGE then unthread the SCREW from the LOWER DRAIN BODY.

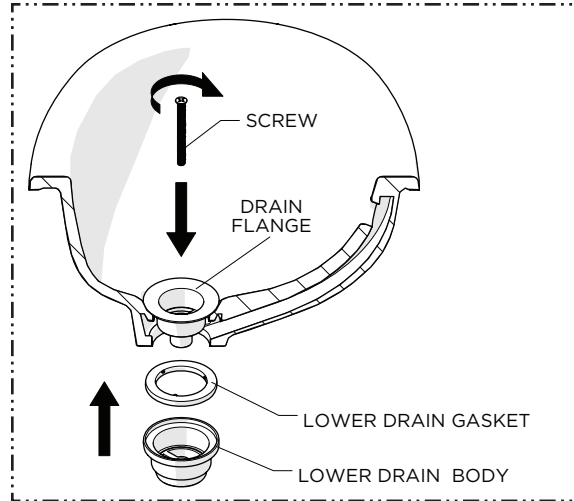
CAUTION: Do NOT remove or discard the LOWER DRAIN GASKET.

INSTALLATION GUIDELINES

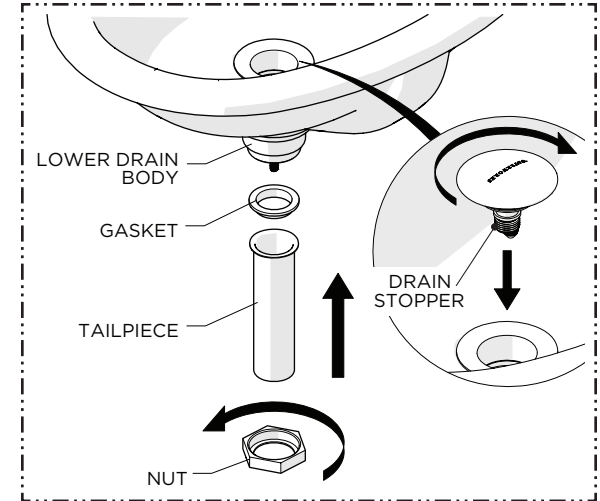
WALL MOUNTED LAVATORY FAUCETS



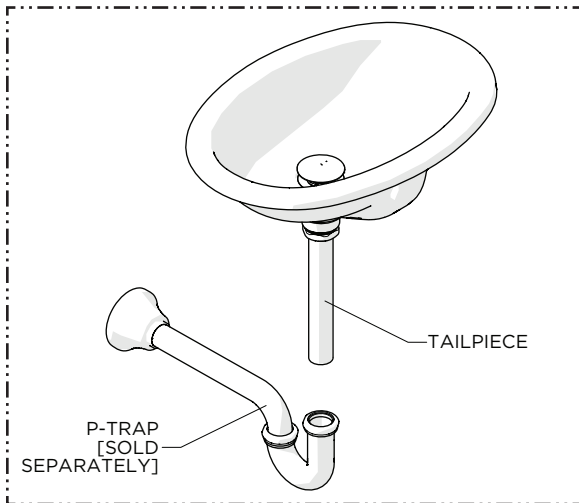
13. Set the DRAIN FLANGE into the lavatory (sold separately) using putty or a clear silicone.



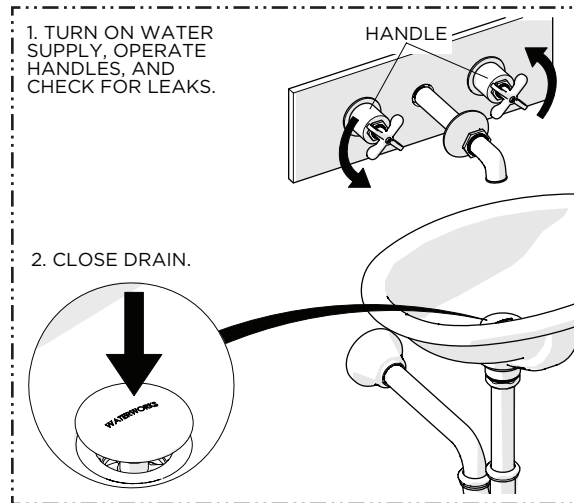
14. Insert the SCREW provided into the FLANGE then thread and securely tighten the SCREW into the LOWER DRAIN BODY making sure the LOWER DRAIN GASKET makes a full seal on the underside of the LAVATORY.



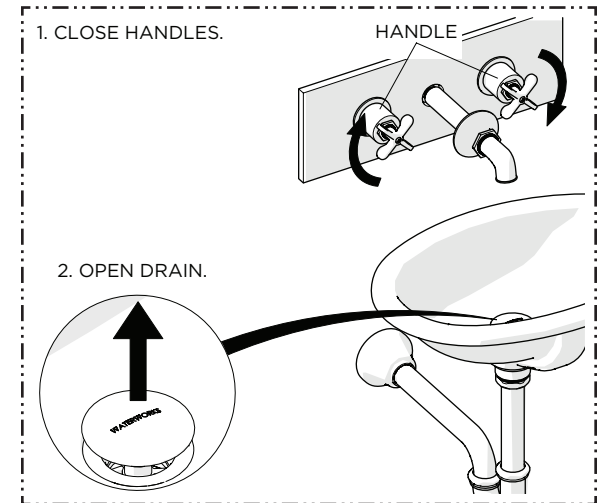
15. Re-install the DRAIN STOPPER and TAILPIECE using the GASKET and NUT provided.



16. Make final P-TRAP (sold separately) connections.



17. Turn on the water supply, operate the HANDLES to flush out the supply lines, and inspect all connections for leaks then close the DRAIN to ensure it functions properly.

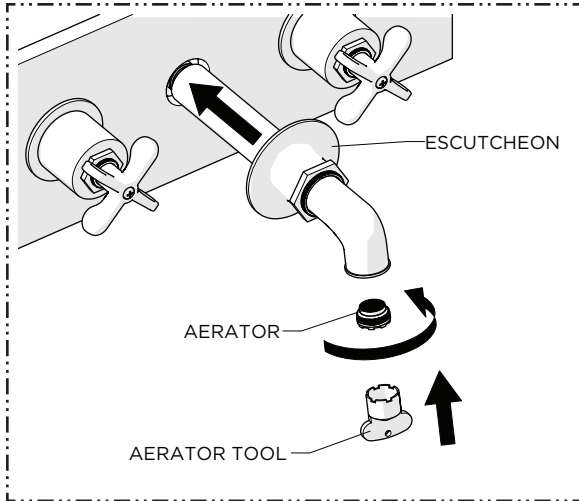


18. Close the HANDLES and open the DRAIN making sure the water drains properly.

INSTALLATION GUIDELINES

WALL MOUNTED LAVATORY FAUCETS

WATERWORKS



19. Slide the ESCUTCHEON down the SPOUT until it contacts the finished wall then re-install the AERATOR and finish the installation.