

WATERWORKS

INSTALLATION GUIDELINES

STYLE No. HNWS02
Henry Metal Round 2 Leg Washstand
29" [737mm] x 20" [508mm] x 31³/₄" [806mm]

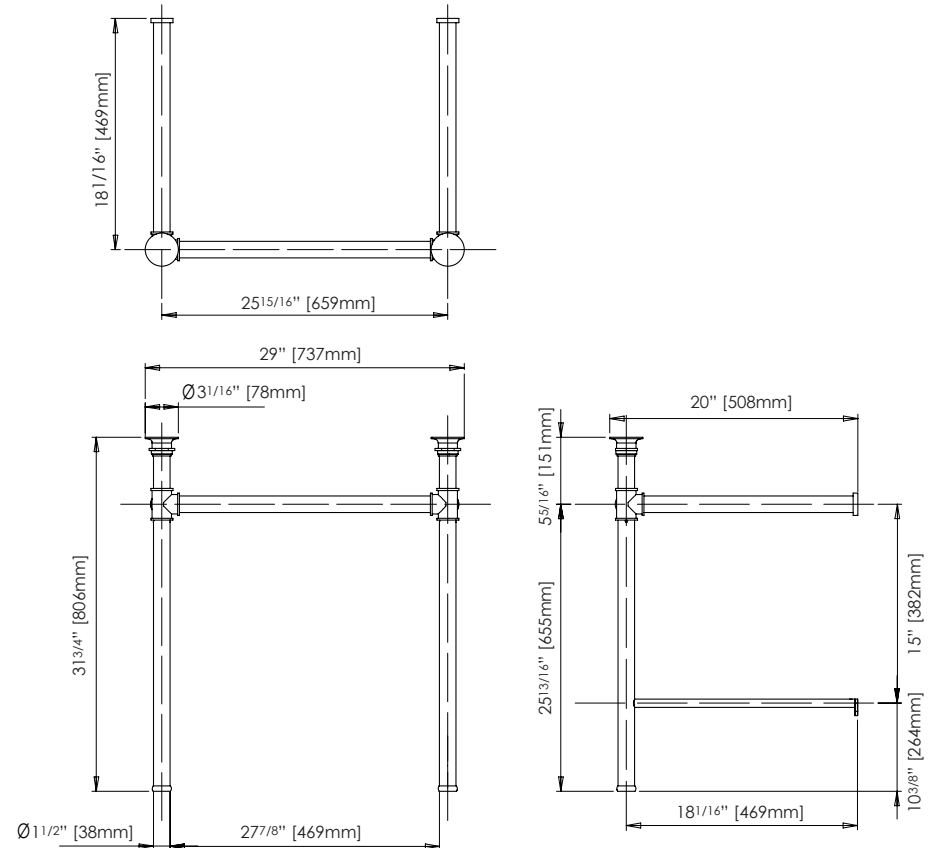


TECHNICAL DETAILS:

DETAIL	SPECIFICATION
ADJUSTABLE LEVELERS/FEET	YES
DIAMETER OF LEGS/TUBES	1 1/2" [38mm]
PRIMARY MATERIAL	Brass
RECOMMENDED ROUGH-IN SUPPLY HEIGHT	21" [533mm]
RECOMMENDED ROUGH-IN SUPPLY SPREAD	9" [229mm]
RECOMMENDED ROUGH-IN WASTE HEIGHT	19" [483mm]
STORAGE CAPACITY	28 ¹ / ₂ " [724mm] x 17 ⁵ / ₈ " [448mm]
TOP ATTACHMENT METHOD	Silicone
WEIGHT	18lbs

IMPORTANT:

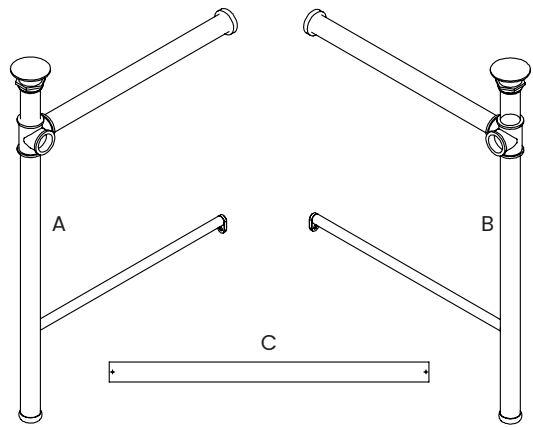
- To ensure this product is installed properly, you must read and follow these guidelines.
- The owner/user of this product must keep this information for future reference.
- Install adequate blocking or position over a stud to properly secure the fixture.
- Inspect this product, upon receiving, to ensure it is the correct model and you have all parts required for proper installation.
- Slab top, fittings and lavatory sold separately.
- This product must be installed by a professional licensed contractor. Be sure your installation conforms to all federal, state, and local codes.
- Take all necessary precautions to ensure that this product is protected during installation.
- Ensure the floor is level and the weight of this product will be adequately supported.
- The use of certain plumber's putty may stain stone or tile surfaces.



WATERWORKS

INSTALLATION GUIDELINES

Parts included ;



A - 1 x L/H Side Rail Assembly
 B - 1 x R/H Side Rail Assembly
 C - 1 x Cross Rail
 D - 1 x Fixing Screw Pack
 (contents listed above)

E - (2) M3 x 6mm Flat Head

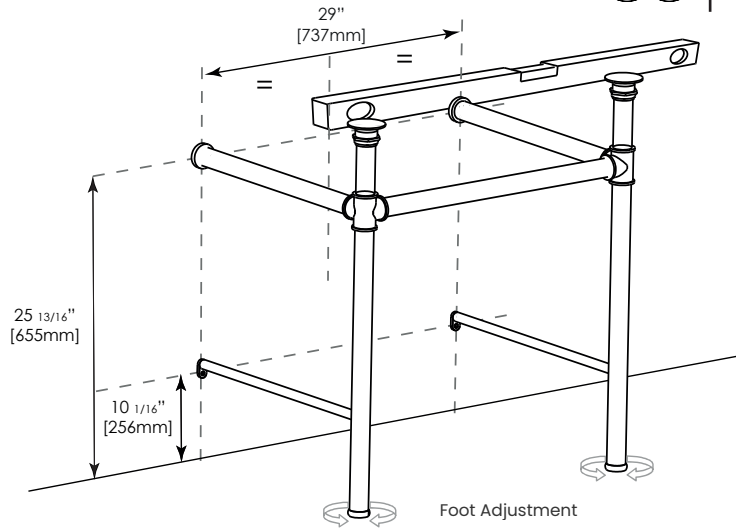
F - (2) M4 x 6mm Set Screws
 (Spares)

G - (4) Wall Screws

H - (4) Anchors

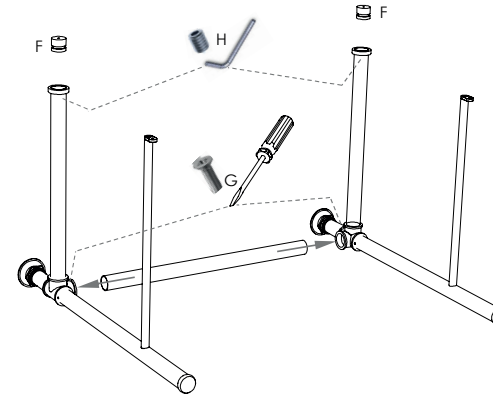
I - (1) 2mm Allen Key

J - (4) Wall fixings
 (Supplied pre-installed in tubes)

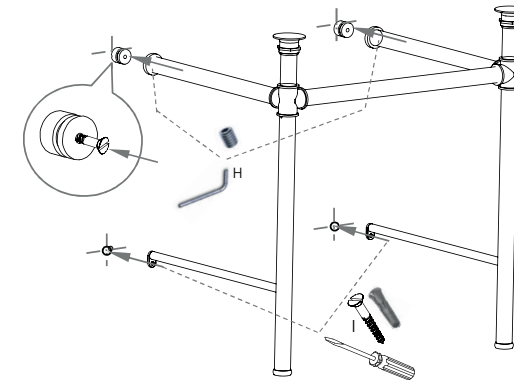


- Measure/mark the positions for the Wall Screws (for Custom - place the washstand against the wall).
- Place a level on top of the washstand legs and adjust the feet accordingly until it is level.
- Mark the vertical center line (for the Waste) and ensure it is equal on either side of the washstand legs.
- Using a pencil, mark the position of the bottom rail screw (for Custom - mark through holes).
- Using a pencil, mark the position of the top rail.
- (for Custom - measure from floor to underside of rail, add 3/8" [19mm] and mark hole position).
- Drill holes in the wall (x 4) using a Ø7/32" Drill Bit - then push the anchors (H x 4) into the drill holes.

STYLE No. HNWS02
 Henry Metal Round 2 Leg Washstand
 29" [737mm] x 20" [508mm] x 31 1/4" [806mm]



- Place the parts on a protective sheet to avoid damaging any of the surface finishes during assembly.
- Insert the horizontal Cross Rail into the leg connections as shown (Orientation identified by Left & Right Labels).
- When fully inserted, rotate the Cross Rail tube to expose the pre-drilled fixing screw hole.
- Insert the Flat Head (E) and fully tighten using a Cross Head Screw Driver.
- Secure both ends of the Cross Rail to the Leg Assemblies.
- To remove the Wall Fixing Inserts (J) unscrew the Set Screw (F) using the 2mm Allen Key (I) and pull out the inserts.



- Using the Wall Screws - attach the Wall Fixing Inserts securely to the wall.
- Connect the washstand to the Wall Fixing Inserts and push on fully.
- Secure the Side Rails to the Wall Fixing Inserts by tightening the set screws (F) using the 2mm Allen Key (I).
- Secure the bottom horizontal washstand legs in place by inserting Wall Screws (G) through the fixing bracket & tighten.
- MAKE ANY WATER CONNECTIONS AND FIX THE BASIN IN PLACE. Final leg adjustments can be made to support the basin.