

WATERWORKS

INSTALLATION GUIDELINES

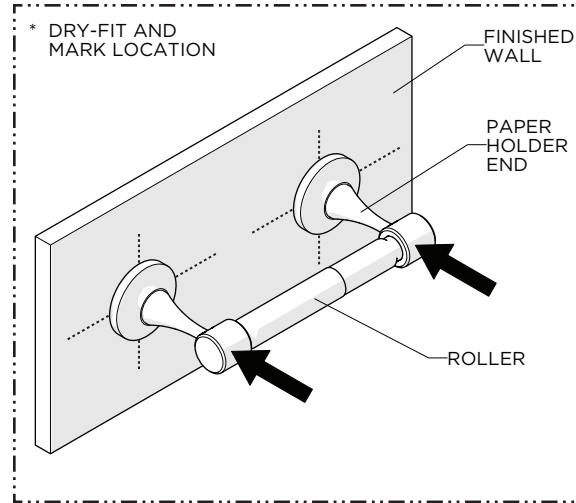
STYLE No. EAPH38
Easton Wall Mounted Paper Holder

IMPORTANT:

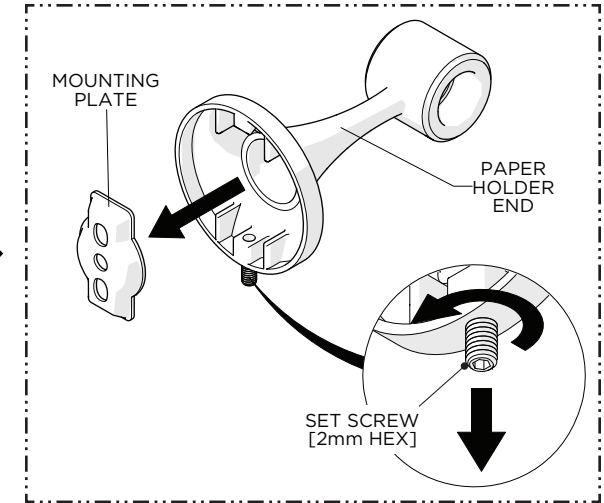
- To ensure this product is installed properly, you must read and follow these guidelines.
- The owner/user of this product must keep this information for future reference.
- This product must be installed by a professional licensed contractor. Inspect this product to ensure you have all the parts required for proper installation.
- DRYWALL ANCHORS for a typical drywall installation are provided. Do **NOT** use the ANCHORS if mounting directly onto wood blocking or a stud.
- If further assistance is required, please contact Product Support at 1-800-927-2120 Monday through Friday, 8am - 6pm EST.

TECHNICAL DETAILS:

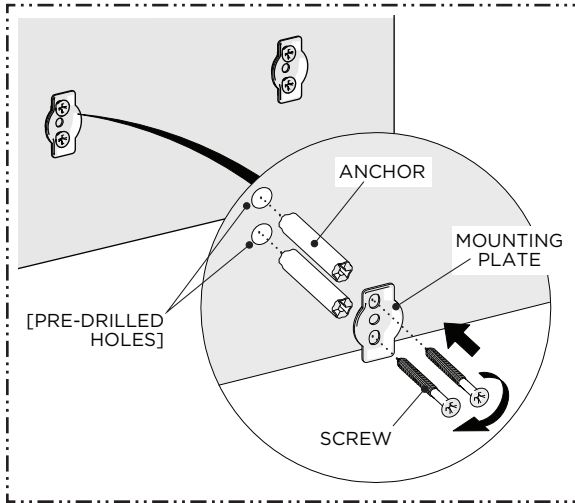
| DETAIL | SPECIFICATION |
|------------------|---------------|
| PRIMARY MATERIAL | BRASS |



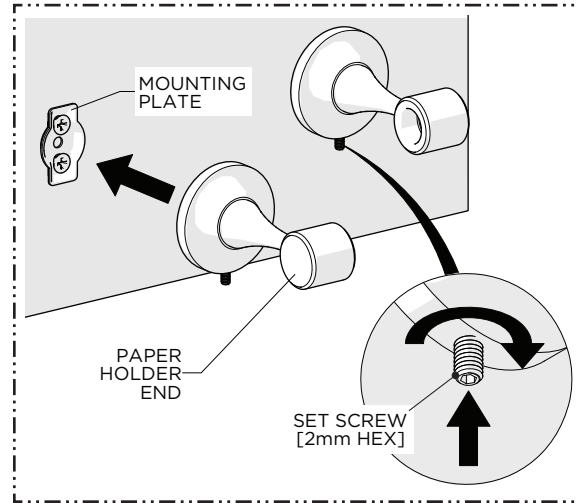
1. Dry-fit the PAPER HOLDER to the finished wall and mark the ideal location.



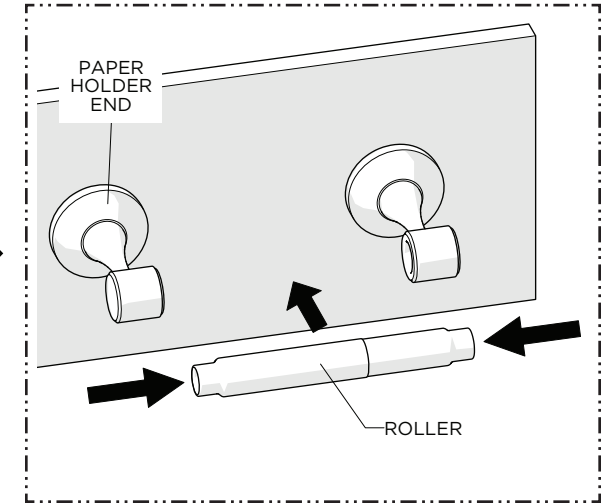
2. Loosen, but do **NOT** remove, the SET SCREW on each END and remove the MOUNTING PLATE.



3. Using the previous marks as a reference, install the MOUNTING PLATES using the ANCHORS, if necessary, and SCREWS provided.



4. Slide the ENDS onto the MOUNTING PLATES then thread and securely tighten the SET SCREWS.



5. Install the ROLLER and ensure it functions properly.