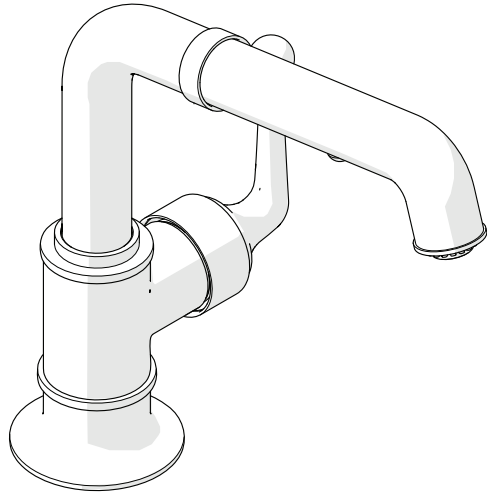


WATERWORKS

INSTALLATION GUIDELINES

STYLE No. DSKM70

Dash One Hole Low Profile Kitchen Faucet with Pull-Out Spray and Metal Lever Handle

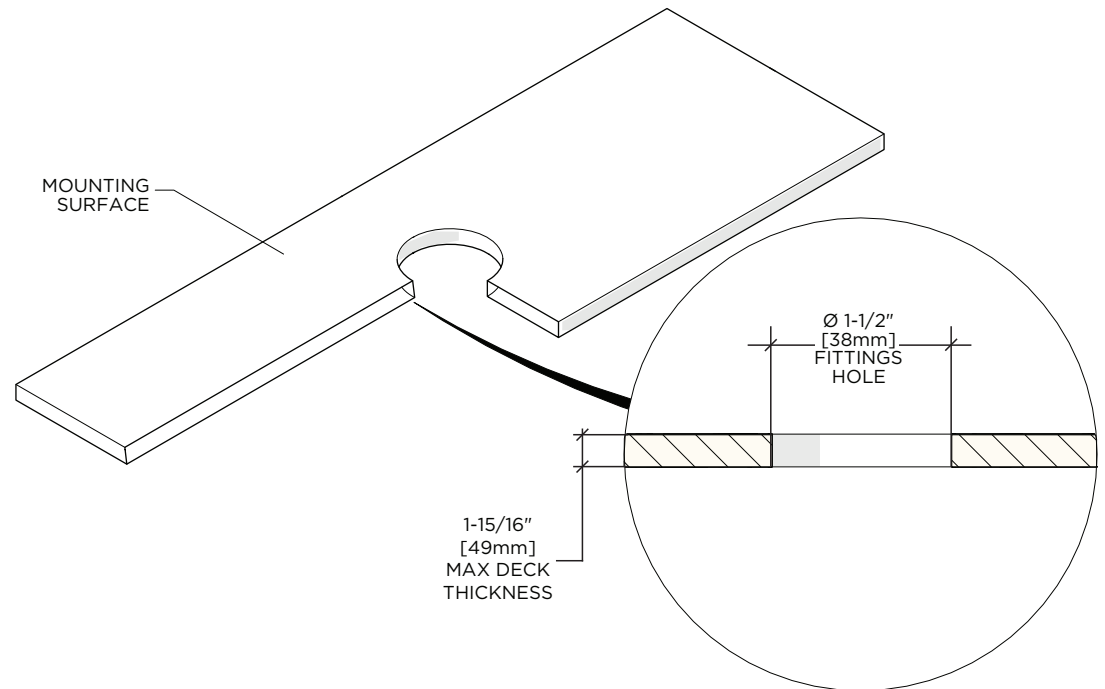


IMPORTANT:

- To ensure this product is installed properly, you must read and follow these guidelines.
- The owner/user of this product must keep this information for future reference.
- This product must be installed by a professional licensed contractor.
- Be sure your installation conforms to all federal, state, and local codes. In the State of Massachusetts, all installations must comply with the rules and regulations set forth within 248 CMR.
- Inspect this product to ensure you have all the parts required for proper installation.
- Product is sold partially assembled but shown fully disassembled for illustrative and service purposes only.
- **CAUTION:**
 - Flushing the SUPPLY VALVES (sold separately) prior to installing the KITCHEN FAUCET is recommended. Flushing can prevent damage to the CARTRIDGE and other internal components.
 - Use only a strap wrench or protected/smooth-jaw wrench on any finished surface.
- The use of certain plumber's putty may stain stone or tile surfaces.
- If further assistance is required, please contact Product Support at 1-800-927-2120 Monday through Friday, 8am - 6pm EST.
- Refer to the separate Service Parts Documents for available replacement parts.

TECHNICAL DETAILS:

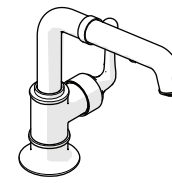
DETAIL	SPECIFICATION
HANDLE TURN ANGLE	QUARTER TURN
INLET CONNECTION	3/8" COMPRESSION CONNECTOR HOSES†
SPOUT REACH	8-1/2" [216mm]
SPOUT SWIVEL	YES
SPRAY HOSE LENGTH	59" [1.5m]
WATER PRESSURE MAXIMUM	85psi [6.0 bar]
WATER PRESSURE MINIMUM	20psi [1.5 bar]
WATER PRESSURE RECOMMENDED	45psi [3.0 bar]



† **FOR INTERNATIONAL USE**, two 9/16-24 UNEF Male x 3/8" Female BSPP ADAPTERS (Style No. UNUK08) are provided.

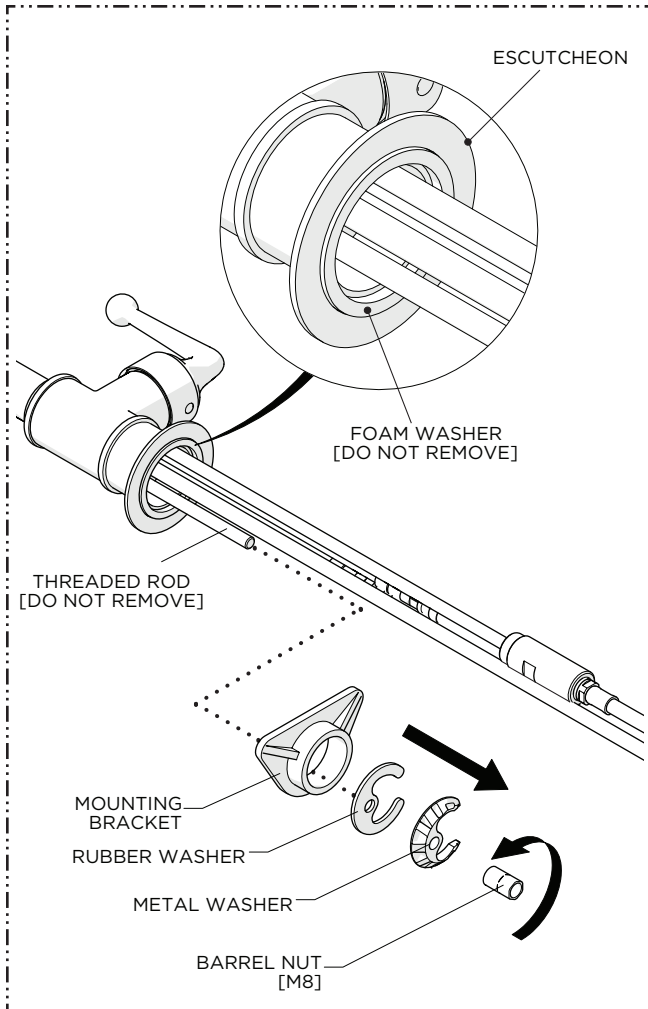
WATERWORKS

INSTALLATION GUIDELINES



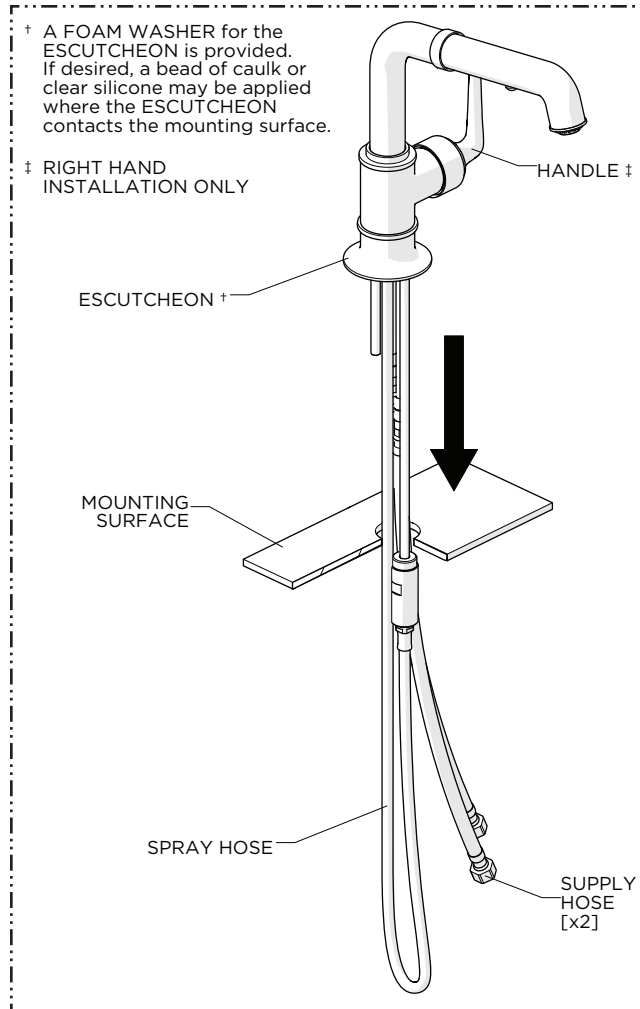
STYLE No. DSKM70

Dash One Hole Low Profile Kitchen Faucet with Pull-Out Spray and Metal Lever Handle



1. Unthread and remove the BARREL NUT from the THREADED ROD then remove the WASHERS and MOUNTING BRACKET.

NOTE: Do **NOT** remove the THREADED ROD or FOAM WASHER beneath the ESCUTCHEON.

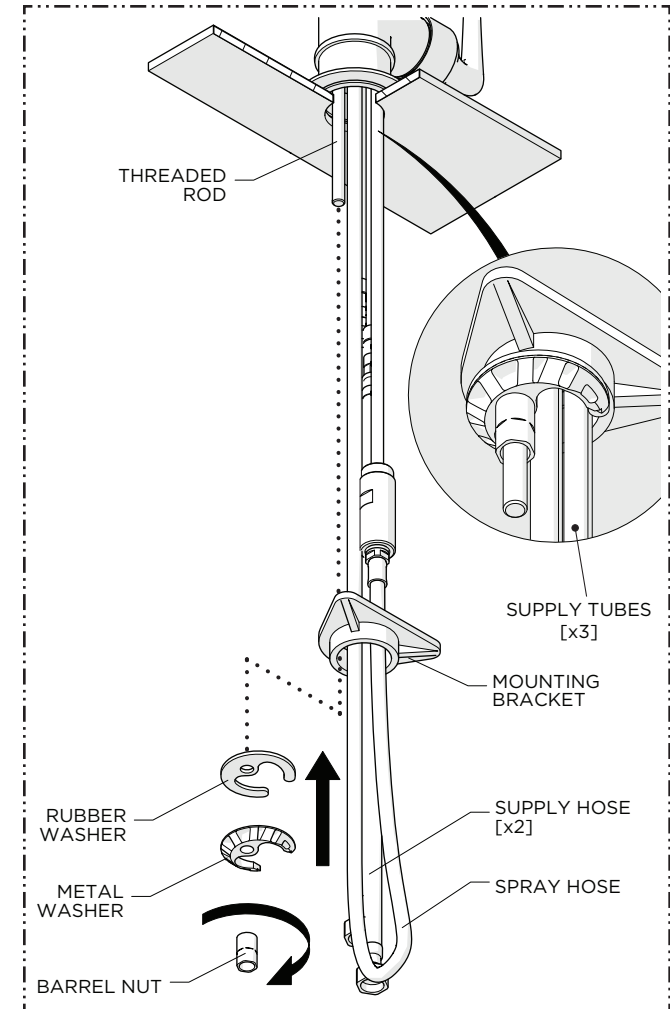


† A FOAM WASHER for the ESCUTCHEON is provided. If desired, a bead of caulk or clear silicone may be applied where the ESCUTCHEON contacts the mounting surface.

‡ RIGHT HAND INSTALLATION ONLY

2. Insert the SPRAY and SUPPLY HOSES through the hole on the mounting surface making sure the FOAM WASHER provided is beneath the ESCUTCHEON and the HANDLE is aligned on the **right side** of the SPOUT.

NOTE: The HANDLE can **ONLY** be installed on the **right side**.

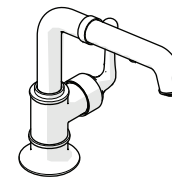


3. Slide the MOUNTING BRACKET over the HOSES and THREADED ROD and place the WASHERS onto ROD then thread and securely tighten the BARREL NUT onto the ROD.

NOTE: Ensure the WASHERS fit properly around the SUPPLY TUBES and HOSES and do **NOT** restrict free movement of the SPRAY HOSE.

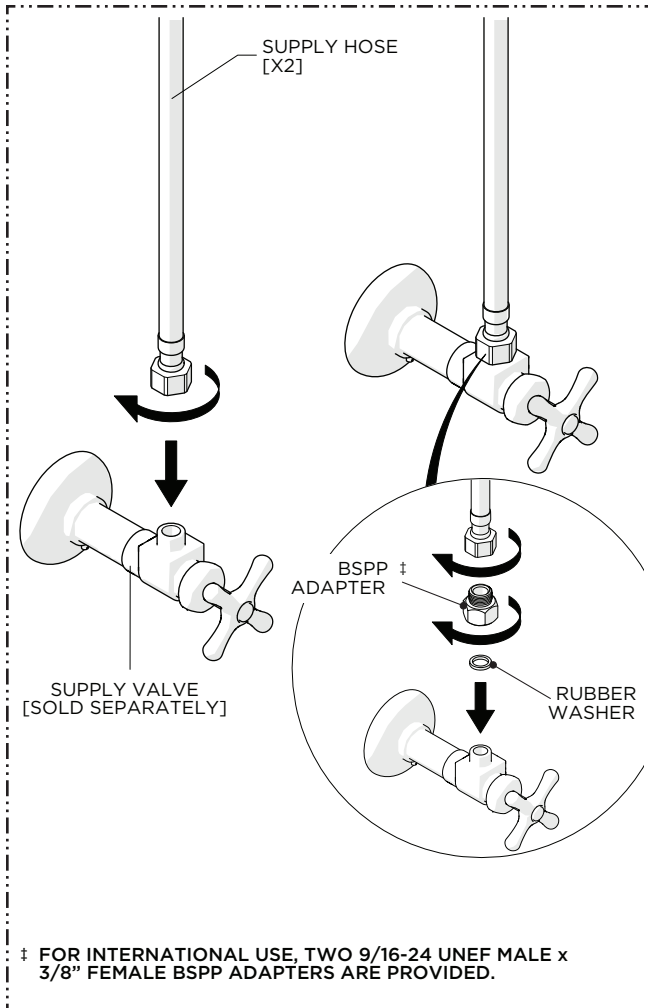
WATERWORKS

INSTALLATION GUIDELINES



STYLE No. DSKM70

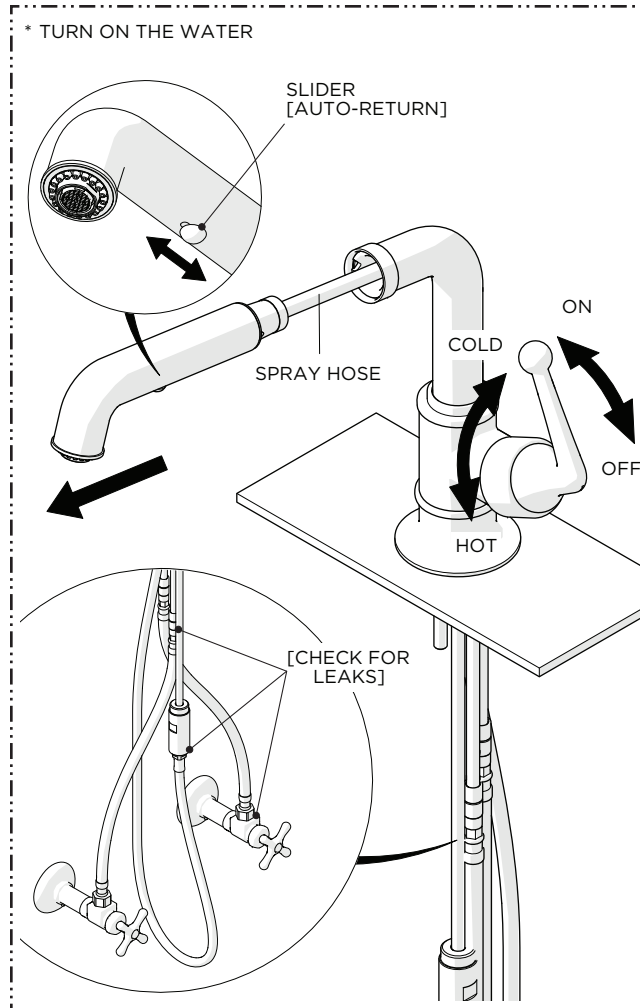
Dash One Hole Low Profile Kitchen Faucet with Pull-Out Spray and Metal Lever Handle



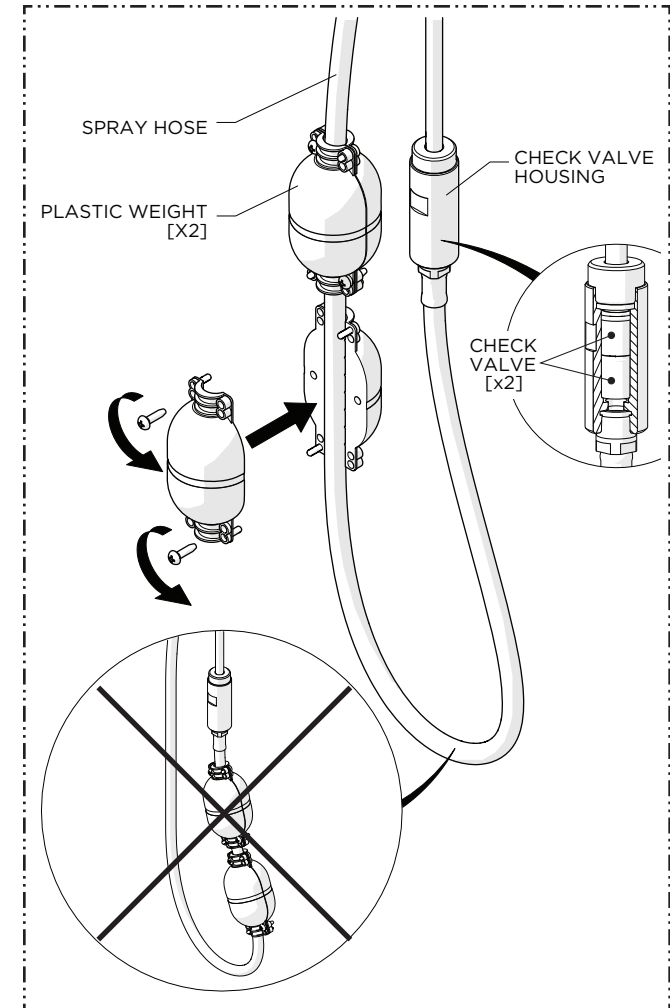
CAUTION: FLUSHING THE SUPPLY VALVES (SOLD SEPARATELY) PRIOR TO INSTALLING THE FAUCET IS RECOMMENDED.

4. Thread and securely tighten the SUPPLY HOSES onto the SUPPLY VALVES.

NOTE: The HOSES are connected to SUPPLY TUBES that are marked BLUE for cold and RED for HOT.



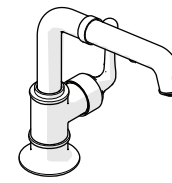
5. Turn on the water and operate the HANDLE and SPRAYER to ensure they function properly and to flush out any debris in the supply lines then check all connections for leaks and turn off the water.



6. Attach the PLASTIC WEIGHTS to a **straight** section of the SPRAY HOSE that is opposite the CHECK VALVE HOUSING.

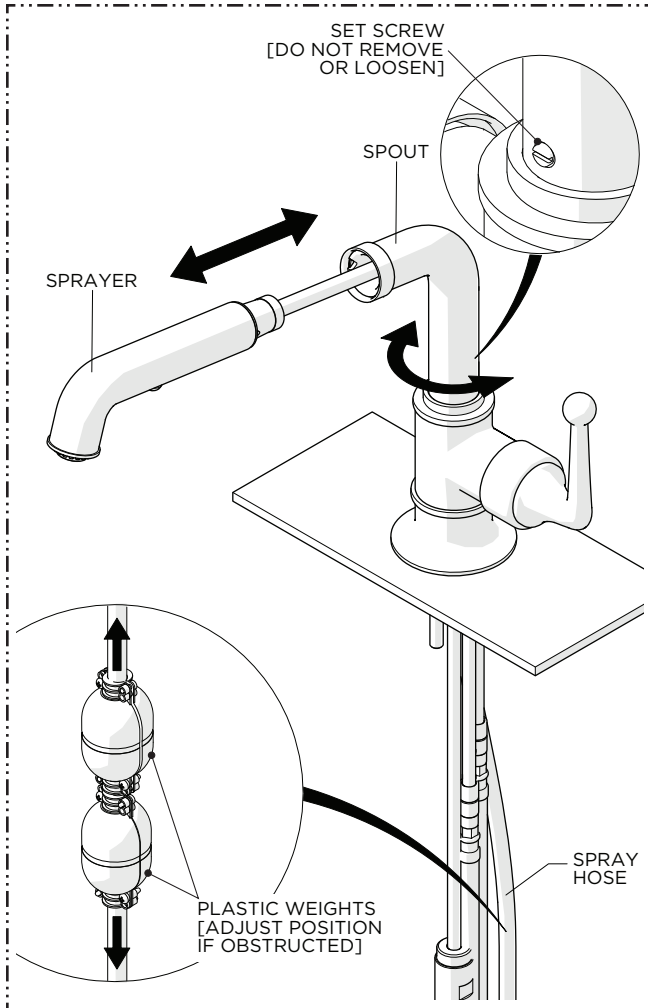
NOTE: Do **NOT** place the WEIGHTS on a bend or past the bend in the HOSE.

WATERWORKS INSTALLATION GUIDELINES



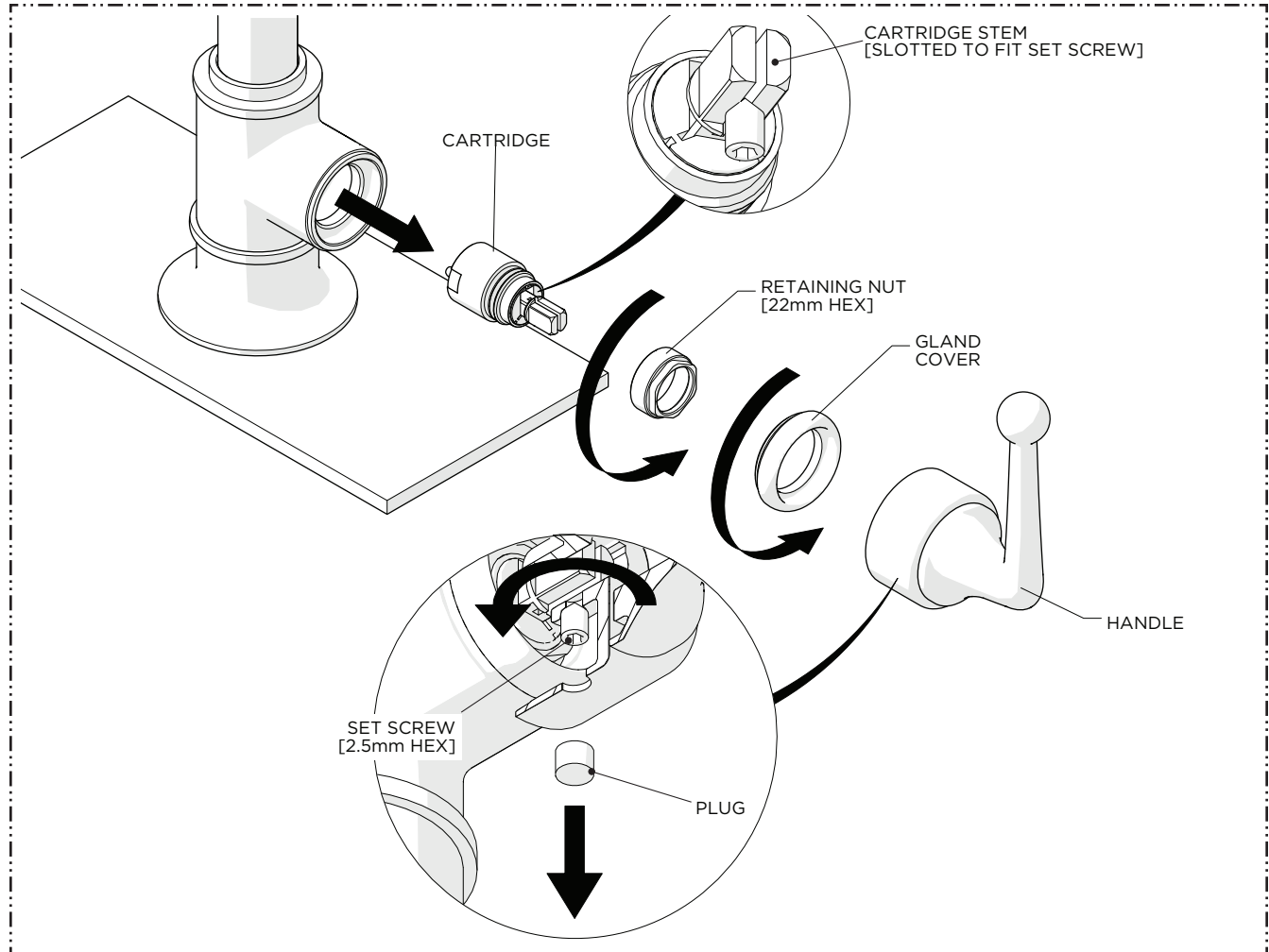
STYLE No. DSKM70

Dash One Hole Low Profile Kitchen Faucet with Pull-Out Spray and Metal Lever Handle



7. Pull out the SPRAYER and rotate the SPOUT to ensure the PLASTIC WEIGHTS can move freely beneath the cabinet.

NOTE: Do **NOT** loosen or remove the SET SCREW at the base of the SPOUT.



SERVICING THE CARTRIDGE:

1. Remove the PLUG at the base of the HANDLE to expose the internal SET SCREW then loosen, but do **NOT** remove, the SET SCREW.
2. Remove the HANDLE then unthread and remove the GLAND COVER.
3. Unthread and remove the RETAINING NUT then remove the CARTRIDGE.

NOTE: When replacing CARTRIDGE, make sure the slot on the CARTRIDGE STEM aligns properly with the SET SCREW to securely re-install the HANDLE.