

WATERWORKS

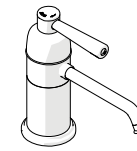
INSTALLATION GUIDELINES

IMPORTANT

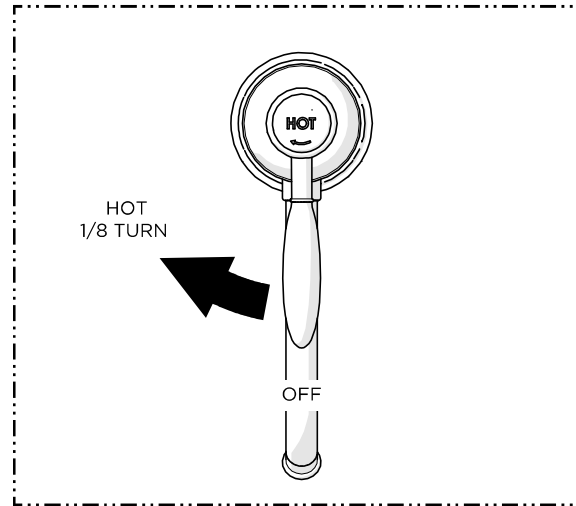
- To ensure this product is installed properly, you must read and follow these guidelines.
- The owner/user of this product must keep this information for future reference.
- This product must be installed by a professional licensed contractor.
- Be sure your installation conforms to federal, state, and local codes. In the State of Massachusetts, all installations must comply with the rules and regulations set forth within 248 CMR.
- Inspect this product to ensure you have all the parts required for proper installation. Product is sold partially assembled but shown fully disassembled for illustrative and service purposes only.
- Water may drip from the SPOUT for a few minutes after shut off due to the Hot Water Tank [SOLD SEPARATELY] bringing the water back to the set temperature.
- Use only a strap wrench or protected/smooth-jaw wrench on any finished surface.
- The use of certain plumber's putty may stain stone or tile surfaces.
- If further assistance is required, please contact Product Support at 1-800-927-2120 Monday through Friday, 8am - 6pm EST.
- Refer to the separate Service Parts Documents for available replacement parts.



STYLE No. UNWD11
Universal Traditional One Hole
Instant Hot with Metal Lever
Handle

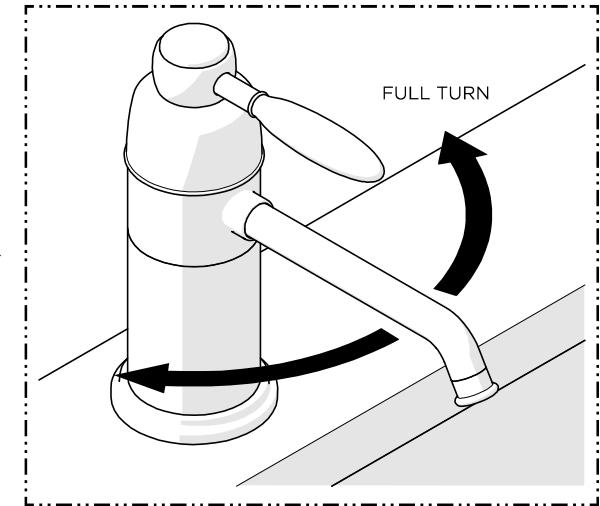
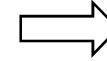


STYLE No. UNWD31
Universal Industrial One Hole
Instant Hot with Metal Lever
Handle

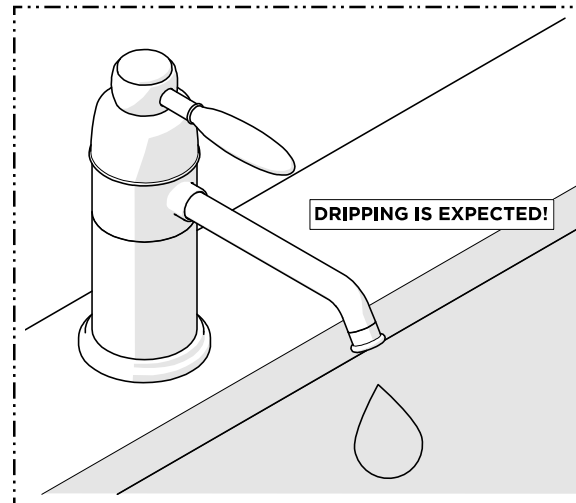


USER GUIDE

- HANDLE: with 1/8 turn

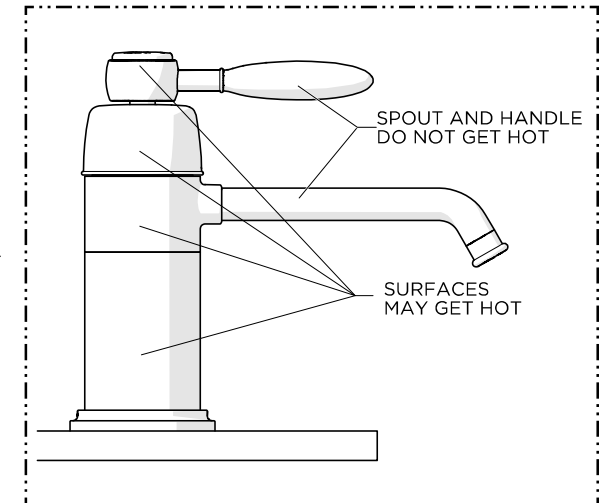
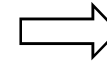


- SPOUT features full turn



- DRIPPING IS EXPECTED!

Occasional dripping from the spout is expected and is necessary safety feature to prevent pressure buildup in the hot water tank.



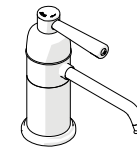
CAUTION!

- BODY MAY HEAT UP WHEN TAP IS CONTINUOUSLY RUNNING HOT WATER.

WATERWORKS



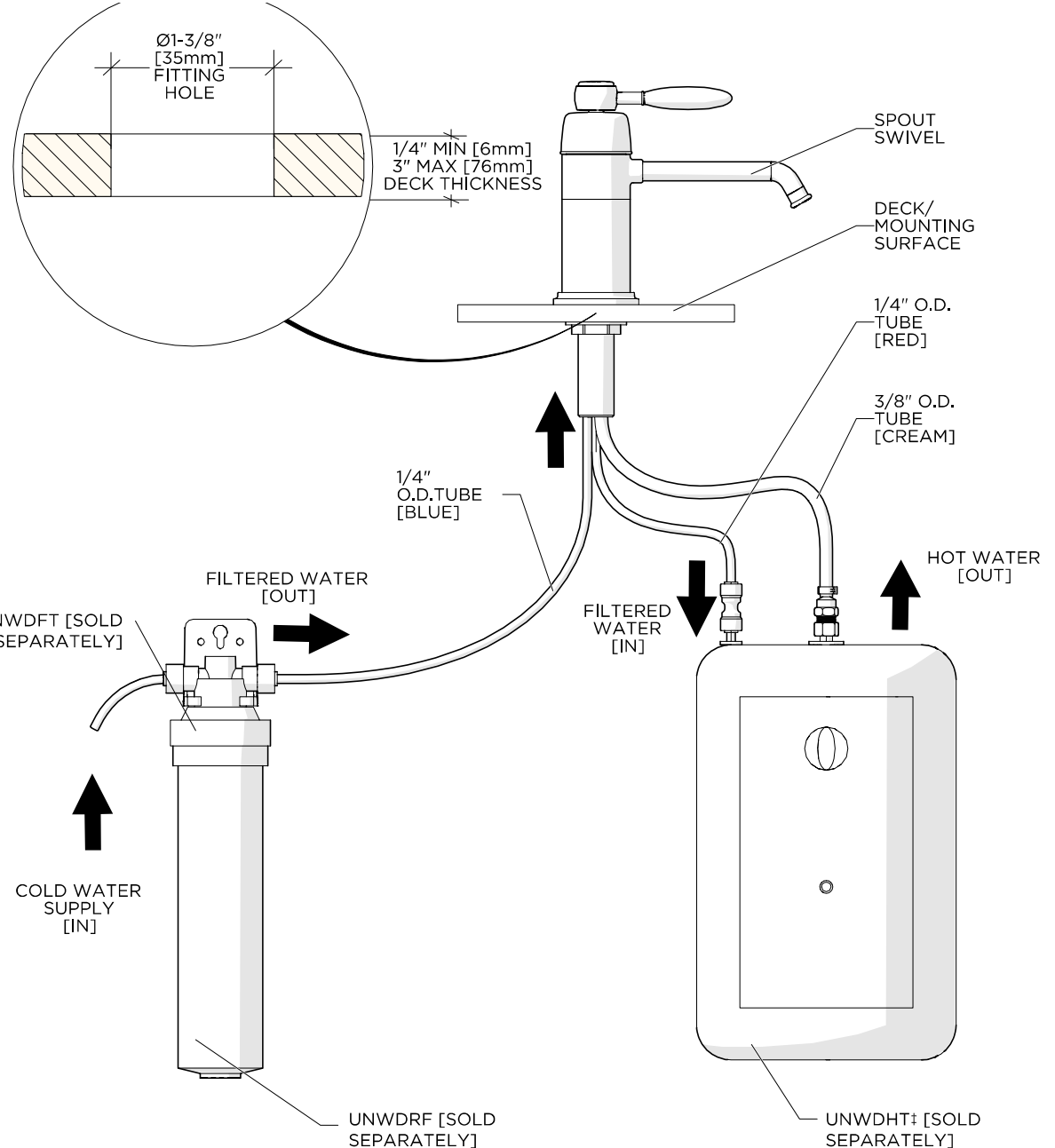
STYLE No. UNWD11
 Universal Traditional One Hole
 Instant Hot with Metal Lever
 Handle



STYLE No. UNWD31
 Universal Industrial One Hole
 Instant Hot with Metal Lever
 Handle

TECHNICAL DETAILS

DETAIL	SPECIFICATION
OUTLET CONNECTION (TO HOT WATER TANK)	1/4" TUBE O.D.
INLET CONNECTION (FROM HOT WATER TANK)	3/8" COMPRESSION BARB
INLET CONNECTION (FROM WATER FILTER)	1/4" TUBE O.D.
HANDLE TURN ANGLE	1/8 TURN
SPOUT REACH	5-5/8" [143mm]
SPOUT SWIVEL	YES
WATER PRESSURE RANGE	20psi [1.5 bar] MIN 85psi [6.0 bar] MAX
WATER PRESSURE RECOMMENDED	45psi [3.0 bar]



SOLD SEPARATELY

STYLE	DESCRIPTION
UNWDHT‡	Universal Hot Water Tank for Use With Water Dispenser
UNWDFT	Universal Carbon Filtration System for Use With Water Dispenser

‡ WARNING: This product cannot be used with a Hot Water Tank that requires a dedicated vent tube. Use tanks with only 1 **INLET** and 1 **OUTLET**.

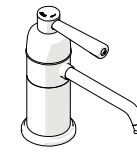
REPLACEMENT ITEMS

UNWDRF	Universal Pure Carbon Filter Replacement Cartridge
--------	--

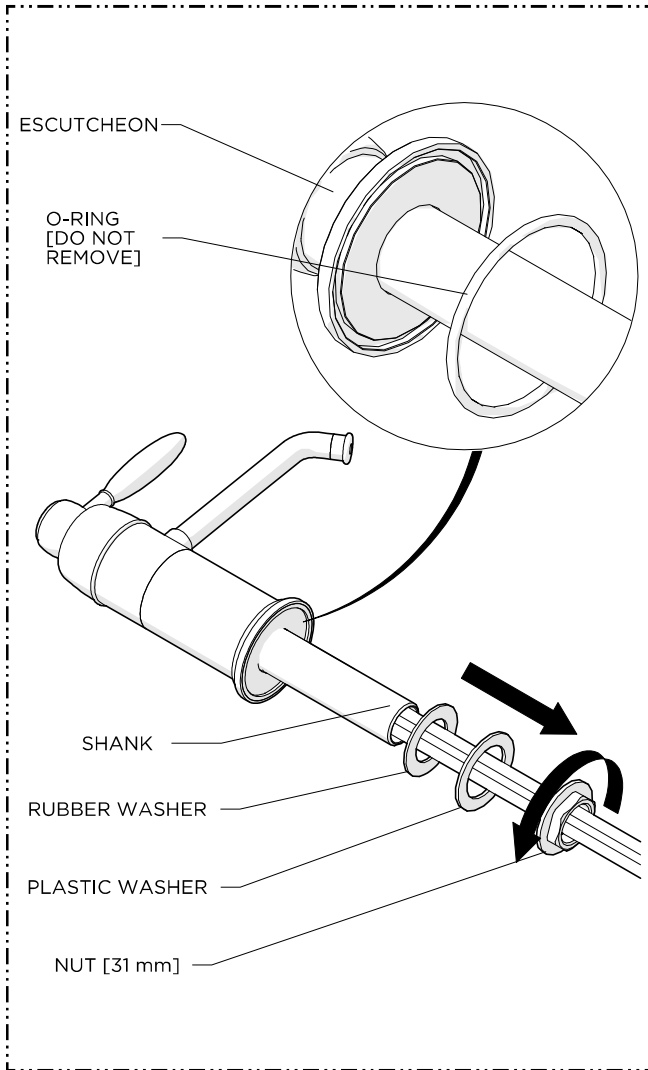
INSTALLATION GUIDELINES



STYLE No. UNWD11
Universal Traditional One Hole
Instant Hot with Metal Lever
Handle

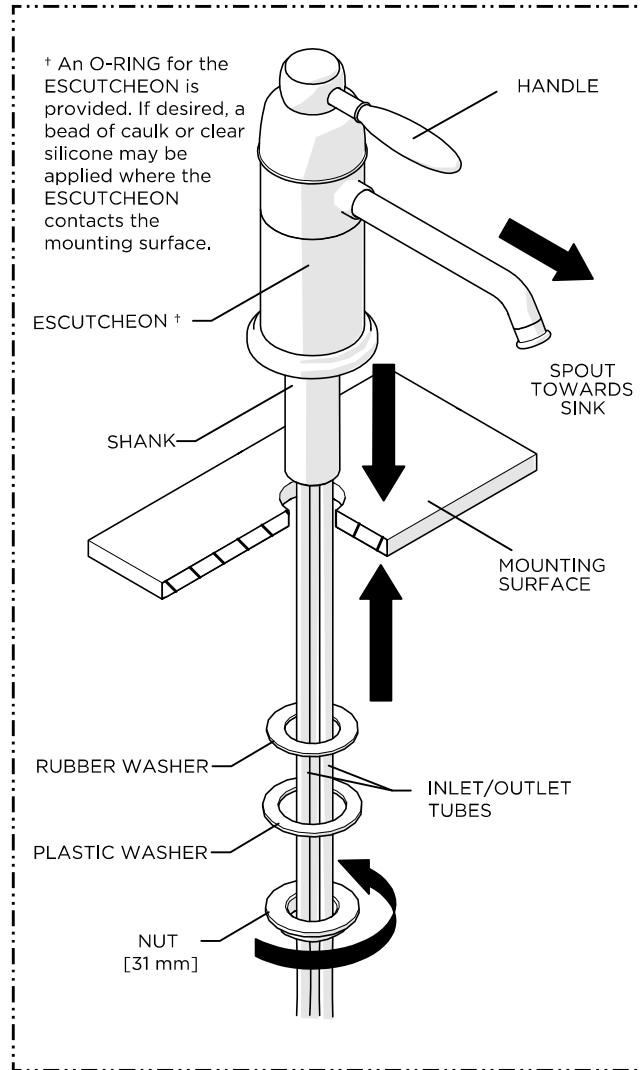


STYLE No. UNWD31
Universal Industrial One Hole
Instant Hot with Metal Lever
Handle

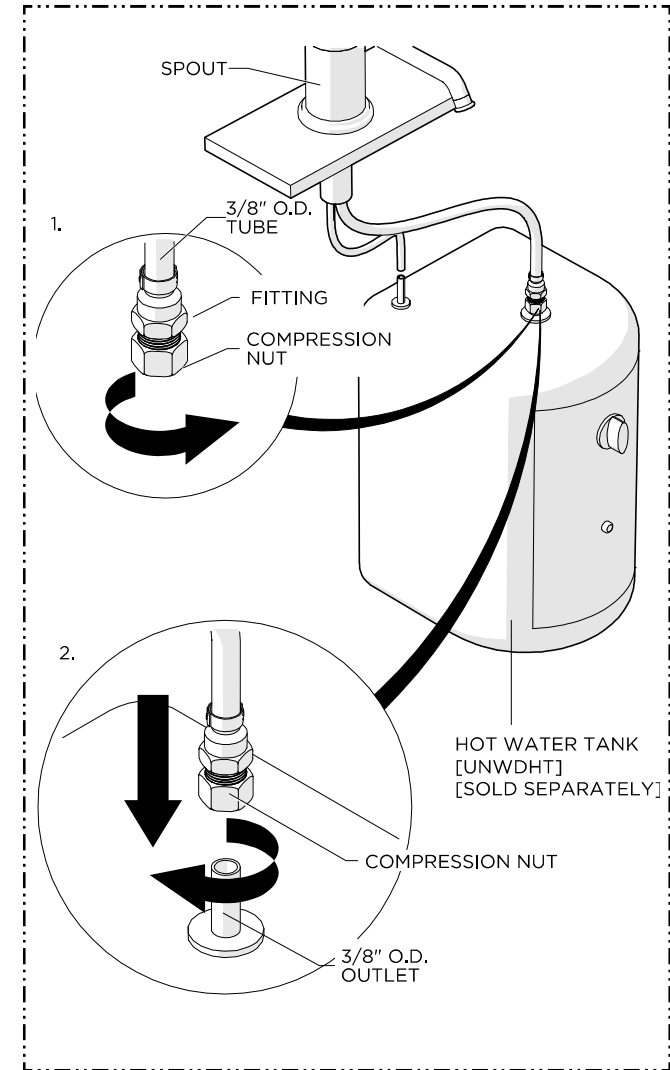


1. Unthread and remove the NUT, PLASTIC WASHER and RUBBER WASHER from the SHANK.

NOTE: Do **NOT** remove the O-RING beneath the ESCUTCHEON.



2. Insert the INLET/OUTLET TUBES and SHANK through the hole on the mounting surface. Place HANDLE in off position, line up SPOUT with HANDLE and position SPOUT over sink in desired location then re-attach the WASHERS and securely tighten the NUT.

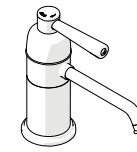


3. Untighten, but **DO NOT REMOVE**, the COMPRESSION NUT attached to the FITTING on the 3/8" O.D. TUBE. Slide the FITTING and COMPRESSION NUT over the 3/8" O.D. OUTLET from the HOT WATER TANK [SOLD SEPARATELY] and securely tighten the COMPRESSION NUT.

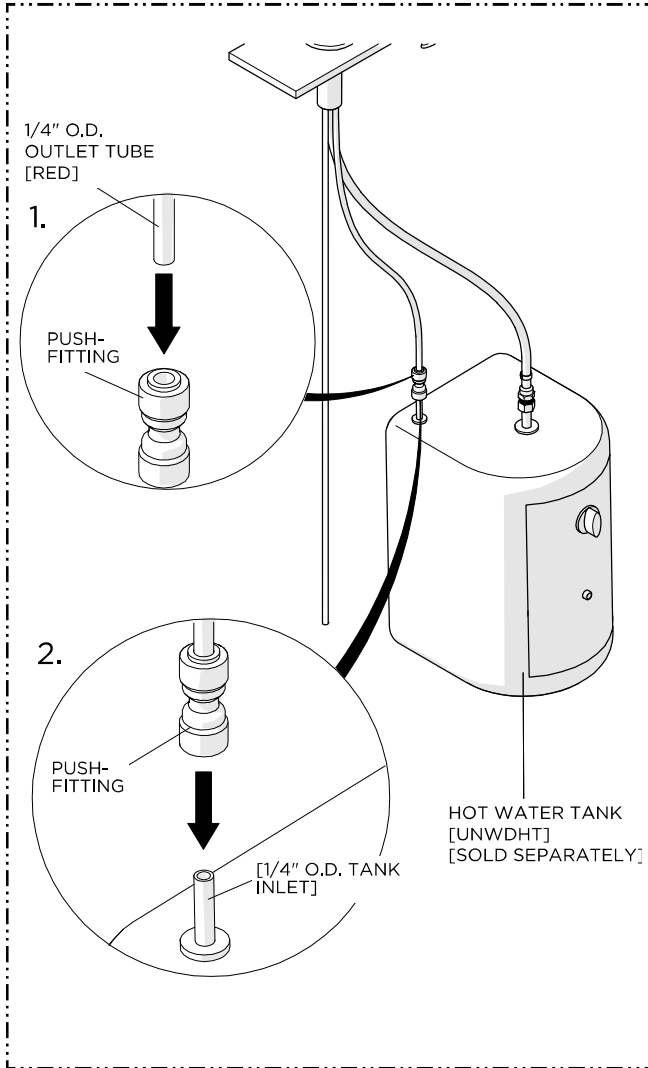
INSTALLATION GUIDELINES



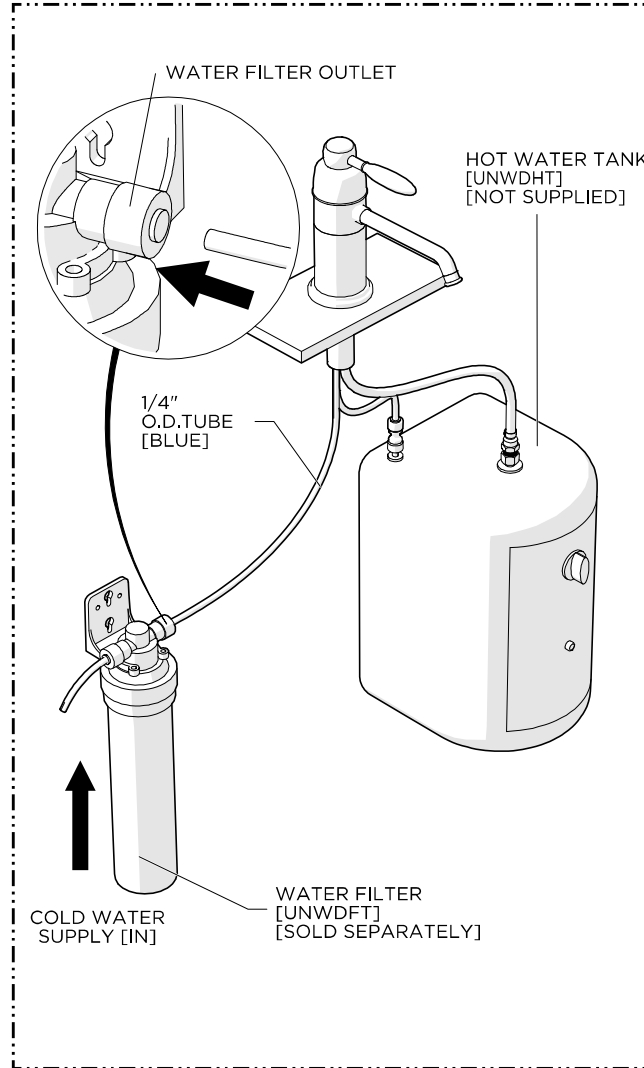
STYLE No. UNWD11
 Universal Traditional One Hole
 Instant Hot with Metal Lever
 Handle



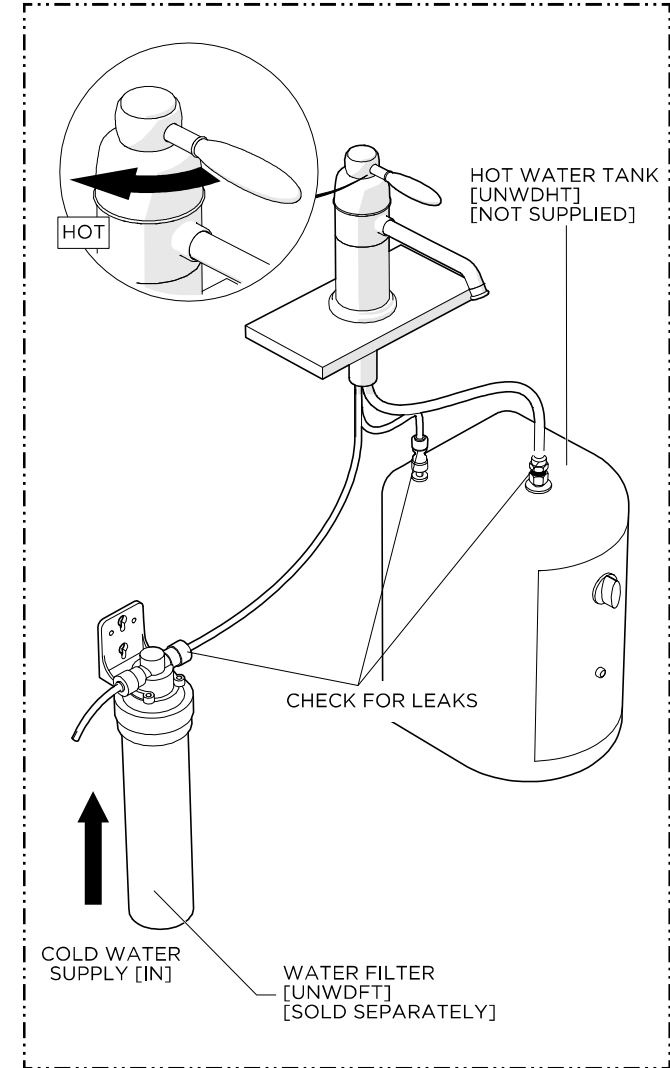
STYLE No. UNWD31
 Universal Industrial One Hole
 Instant Hot with Metal Lever
 Handle



4. Insert the RED 1/4" O.D. OUTLET TUBE from the SPOUT into the PUSH-FITTING then connect the FITTING to the 1/4" O.D. TANK INLET.



5. Insert the BLUE 1/4" O.D. INLET TUBE from the SPOUT into the WATER FILTER OUTLET [SOLD SEPARATELY].



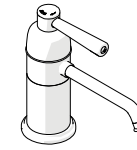
6. Turn on the water to flush out any debris in the supply lines, operate the HANDLE and SPOUT to ensure they function properly and inspect all connection for leaks.

NOTE: Water may drip from the SPOUT for a few minutes after shut off due to the HOT WATER TANK [SOLD SEPARATELY] bringing the water back to the set temperature.

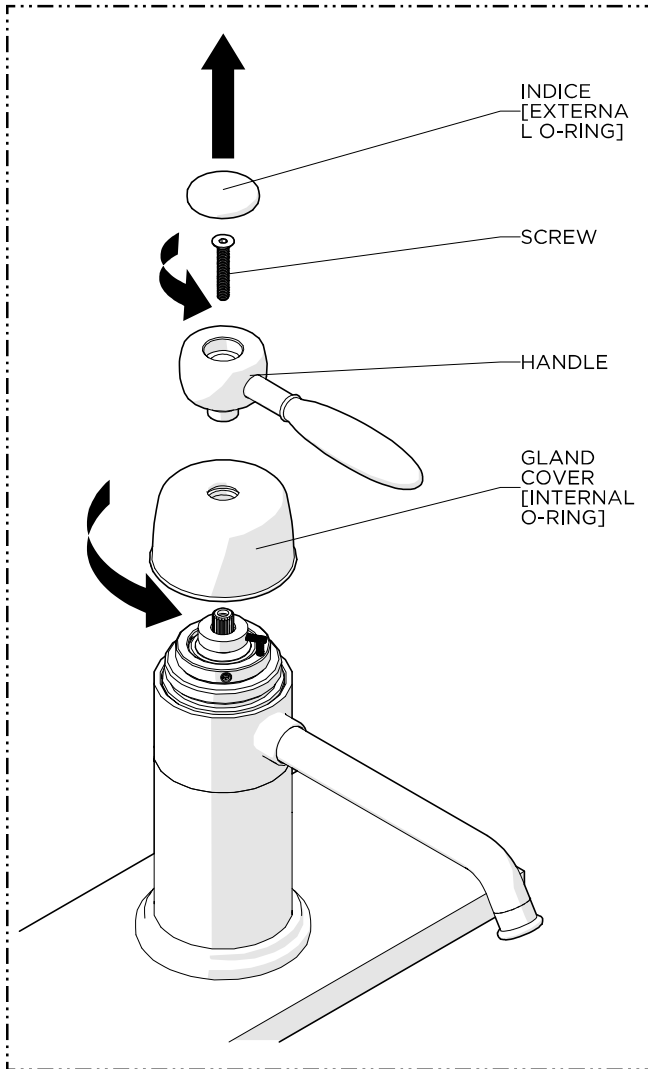
SERVICE GUIDELINES



STYLE No. UNWD11
Universal Traditional One Hole
Instant Hot with Metal Lever
Handle

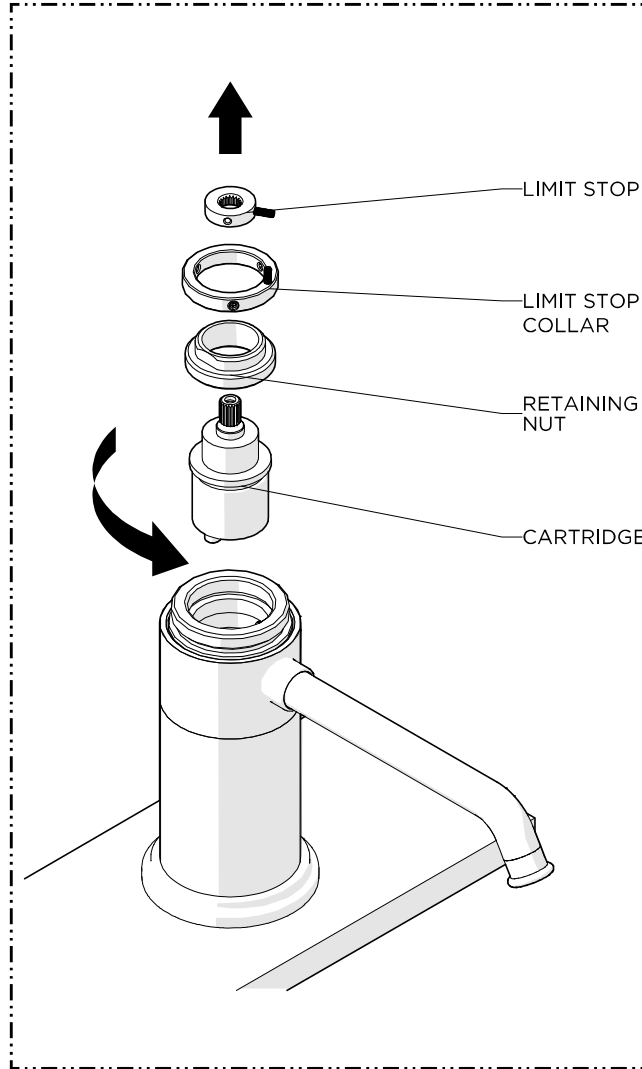


STYLE No. UNWD31
Universal Industrial One Hole
Instant Hot with Metal Lever
Handle



SERVICING THE CARTRIDGE:

1. Remove the INDICE then unthread the SCREW, pull off the HANDLE and unthread the GLAND COVER.



2. Remove the LIMIT STOP and the LIMIT STOP COLLAR then unthread the RETAINING NUT and remove the CARTRIDGE.

NOTE: Do **NOT** discard the SPACER.