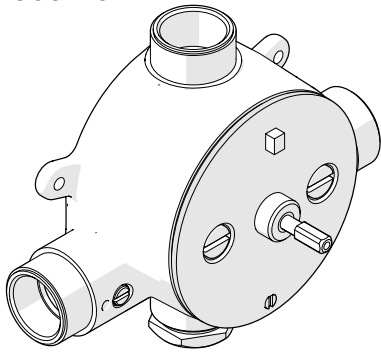


.25
THERMOSTATIC VALVE

INSTALLATION GUIDELINES

Style No. GUTH78+
Code No. GUSV78R



SPECIFICATIONS:

Fitting Hole Diameter	Ø6-5/8" - Ø7" (Ø168mm - Ø178mm)*
Inlet/Outlet Connection Size & Type:	3/4" Female NPT†
Recommended Water Pressure:	45 psi (3 Bar)
Rough-in Depth:	3-1/8" MIN - 4" MAX (79mm MIN - 102mm MAX)
Unrestricted Maximum Flow Rate:	15gpm @ 45 psi (56 L/min @ 3 Bar)
Valve Material:	Bi-Metallic Strip
Water Pressure:	20 psi MIN - 80psi MAX (1.4 Bar Min - 5.5 Bar Max)

* Ø6-5/8" - Ø7" (Ø168mm - Ø178mm) hole is required for servicing.

† UK Style No. **GU78TH** supplied with 4 **BSP** Adapters, assembly required.

IMPORTANT:

- To ensure this product is installed properly, you must read and follow these guidelines.
- The owner/user of this product must keep this information for future reference.
- This valve includes integrated service stops. Make sure the tile guard is in place.
- This valve features anti-scald protection. The risk of scalding exists until the installer had properly calibrated/adjusted the temperature setting during final trim installation.
- Valve body rough-in depth is measured from the centerline of the inlets to the surface of the finished wall and varies depending on the trim used. See step #2.
- This thermostatic valve only mixes hot and cold water and does not have volume control or shut off capability. A diverter or wall valves (**SOLD SEPARATELY**) control on/off/volume and must be installed for each fitting that will have water flowing to it.

- This product must be installed by a professional licensed contractor.
- If soldering any connections, remove cartridge to prevent damage to seals and internal assembly.
- The trim should be on-site prior to rough in and allows the installer to visualize the installation.
- Inspect this product to assure you have all parts shown that are required for proper installation.
- Check local building and plumbing codes to ensure that your installation conforms to all applicable requirements. In the State of Massachusetts, all installations must comply with the rules and regulations set forth within 248 CMR.
- Supply fittings are designed in accordance with pressure and temperature ratings specified in ASME A112.18.1/B125.
- If valve is going to remain unused for an extended period of time (over 3 months), then the water to the valve should be shut off (via service stops or system control valve) and the volume control valves should be opened to allow the water in the thermostatic valve to evaporate. This is to keep the cartridge from being exposed to stagnant or hard water, which can cause the valve to malfunction.

ROUGH-IN:

1. Make sure the valve body is positioned according to valve markings so the inlets are situated with hot piped on the left and cold piped on the right. See Figure - 01.

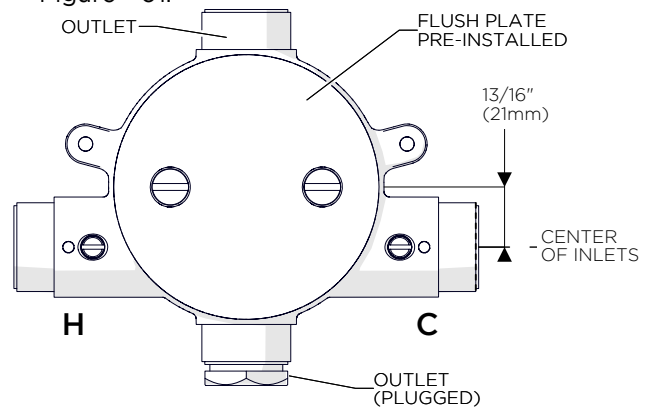


FIGURE - 01

2. **IMPORTANT:** Valve rough-in depth is measured from the center of the inlets to the surface of the finished wall and varies depending on the trim used. See Figure - 02

These guidelines have been prepared for the professional contractor to aid in the installation of:
.25 THERMOSTATIC VALVE STYLE NO. GUTH78, GU78TH (UK)
All dimensions are based on original specification and are subject to change and variation.
Please consult your Design Associate for current specifications.

WATERWORKS

.25
THERMOSTATIC VALVE

INSTALLATION GUIDELINES

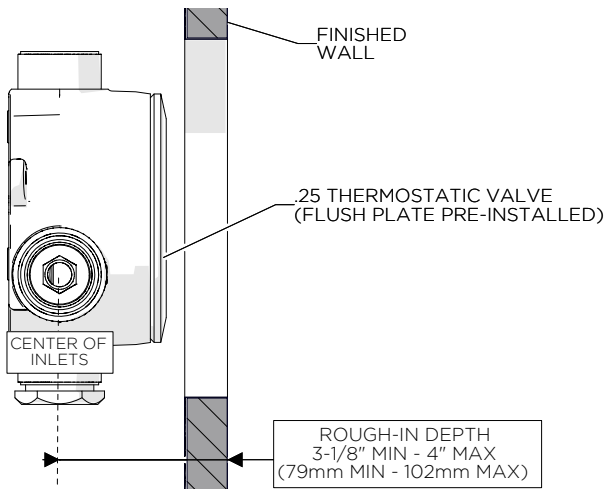


FIGURE - 02

- See Figure - 03 for steps 3-6.
- 3. Run 3/4" (22mm) copper supply lines to the proper height of the valve inlets and be sure to secure all piping and fittings.
- 4. For each fitting that will have water flowing to it, install a wall valve or diverter valve (both sold separately) at the same rough in depth and according to the flow direction arrow marked on the wall valve or diverter valve body.
- 5. The bottom port of the valve body has a PLUG pre-installed, but can be removed and the bottom port can be used to supply water to other fittings.
- 6. Install the TILE GUARD to protect the valve during the completion of the finished wall and to create the exact opening for access to the service stops and future servicing.

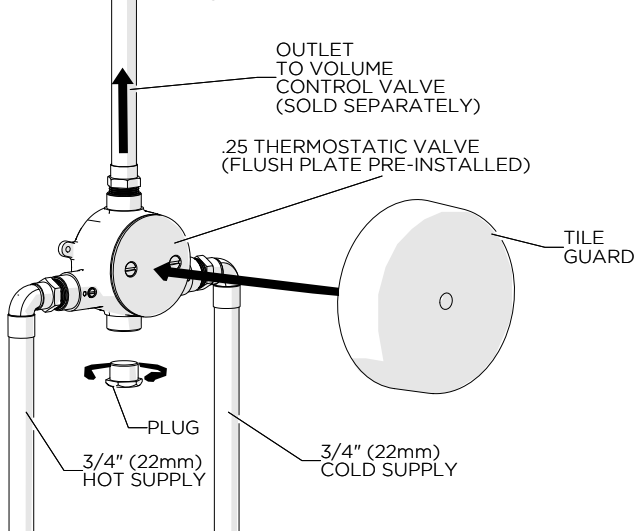


FIGURE - 03

FLUSH OUT THE SYSTEM:

- **Before installing the cartridge, the supply lines must be flushed out to prevent clogging of the filter screens. Failure to flush the lines will permanently damage the cartridge and void the warranty. Repeat this process as needed prior to trim installation.**
- See Figure - 04 for steps 7-11.
- 7. The VALVE BODY is shipped with the FLUSH PLATE pre-installed, and is ready for flushing the lines.
- 8. Turn on the water supply and open the SERVICE STOPS to flush out the lines then inspect all connections for leaks.
- 9. After the lines are flushed, turn off the water supply and close the SERVICE STOPS, unthread the 2 cover SCREWS, then remove the FLUSH PLATE.
- 10. Install the CARTRIDGE using the 2 cover SCREWS and turn off the SERVICE STOPS.
- 11. Re-attach the TILE GUARD to protect CARTRIDGE .

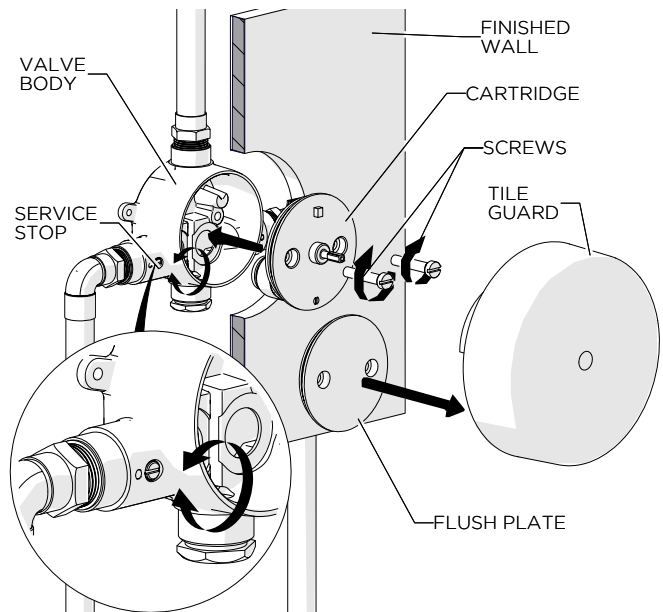


FIGURE - 04

- If further assistance is required, please contact Product Support at 1-800-927-2120 (8am-6pm EST).
- See service part document for parts ordering, available on WATERWORKS.COM.

† BSP Adapter can be ordered separately:

(4x) **STYLE No.** UNUK01
ITEM No. 45-22566-33137

These guidelines have been prepared for the professional contractor to aid in the installation of: .25 THERMOSTATIC VALVE STYLE NO. GUTH78, GU78TH (UK)
All dimensions are based on original specification and are subject to change and variation.
Please consult your Design Associate for current specifications.