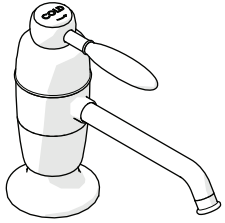
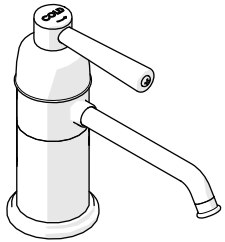


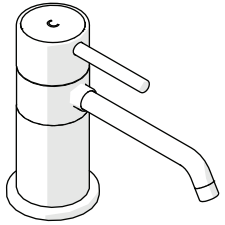
## INSTALLATION GUIDELINES

**STYLE No. UNWD12**

Universal Traditional One Hole Filtered Cold Water Dispenser with Metal Lever Handle

**STYLE No. UNWD32**

Universal Industrial One Hole Filtered Cold Water Dispenser with Metal Lever Handle

**STYLE No. UNWD52**

Universal Modern One Hole Filtered Cold Water Dispenser with Metal Lever Handle

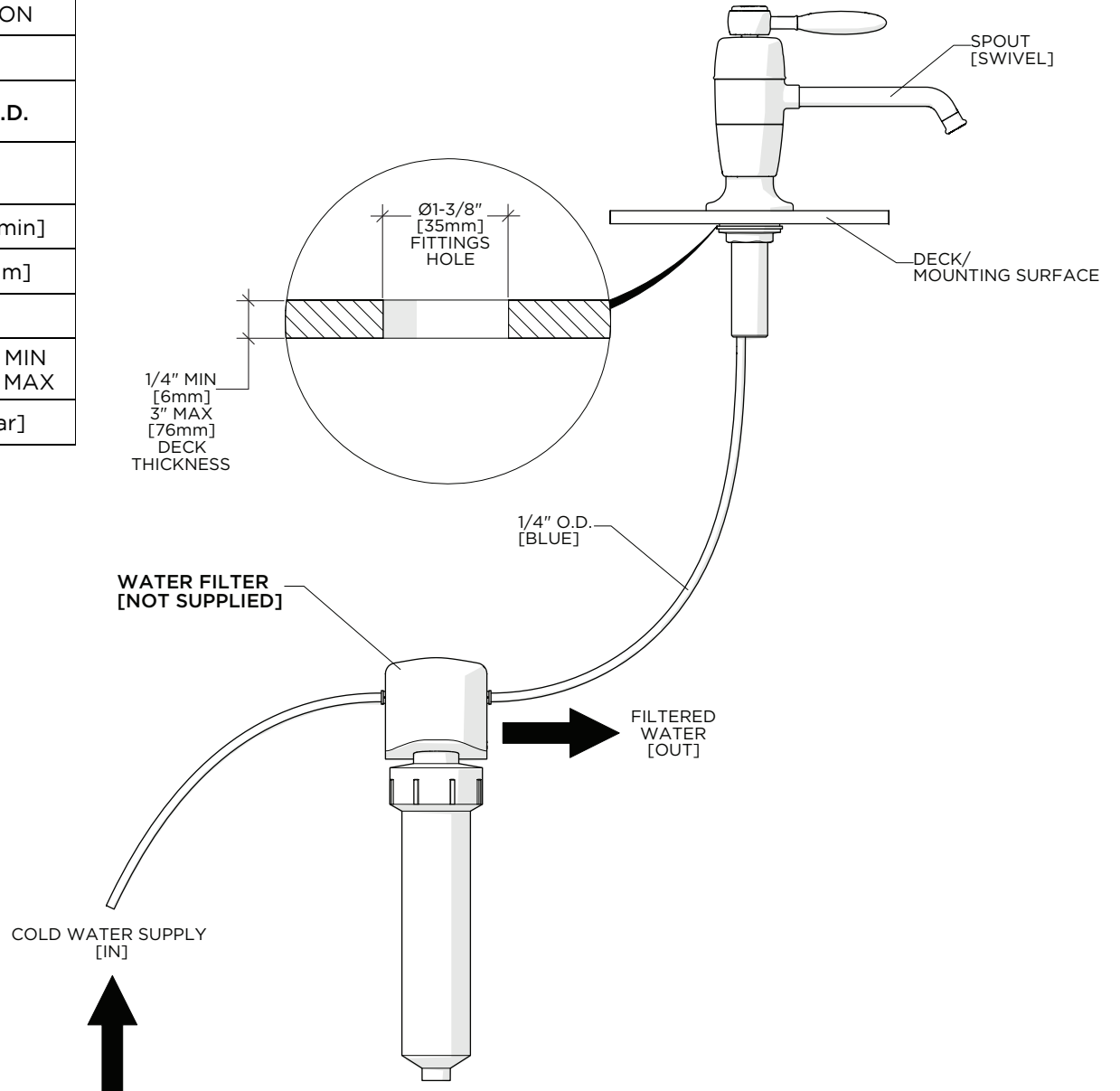
**IMPORTANT:**

- To ensure this product is installed properly, you must read and follow these guidelines.
- The owner/user of this product must keep this information for future reference.
- This product must be installed by a professional licensed contractor.
- Be sure your installation conforms to federal, state, and local codes. In the State of Massachusetts, all installations must comply with the rules and regulations set forth within 248 CMR.
- Inspect this product to ensure you have all the parts required for proper installation. Product is sold partially assembled but shown fully disassembled for illustrative and service purposes only.
- Use only a strap wrench or protected/smooth-jaw wrench on any finished surface.
- The use of certain plumber's putty may stain stone or tile surfaces.
- If further assistance is required, please contact Product Support at 1-800-927-2120 Monday through Friday, 8am - 6pm EST.
- Refer to the separate Service Parts Documents for available replacement parts.

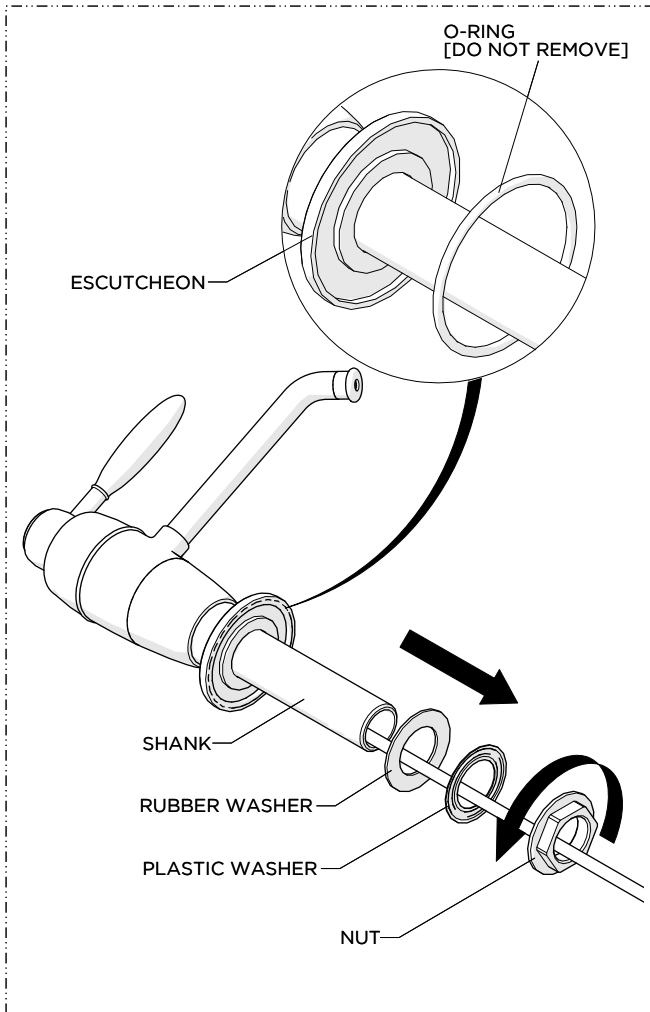
# INSTALLATION GUIDELINES

**TECHNICAL DETAILS:**

DETAIL	SPECIFICATION
WATER FILTER INCLUDED	NO
INLET CONNECTION (FROM WATER FILTER)	1/4" TUBE O.D.
HANDLE TURN ANGLE (NOT SPRING LOADED)	1/8 TURN
FLOW RATE	0.5gpm [1.9L/min]
SPOUT REACH	5-5/8" [143mm]
SPOUT SWIVEL	YES
WATER PRESSURE RANGE	20psi [1.5 bar] MIN 85psi [6.0 bar] MAX
WATER PRESSURE RECOMMENDED	45psi [3.0 bar]

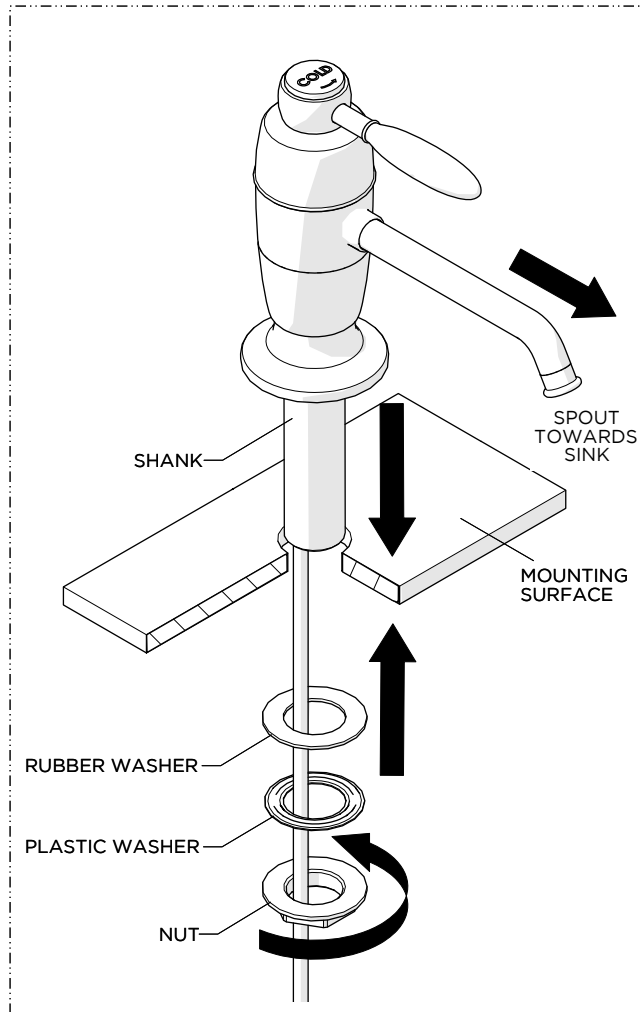


# INSTALLATION GUIDELINES

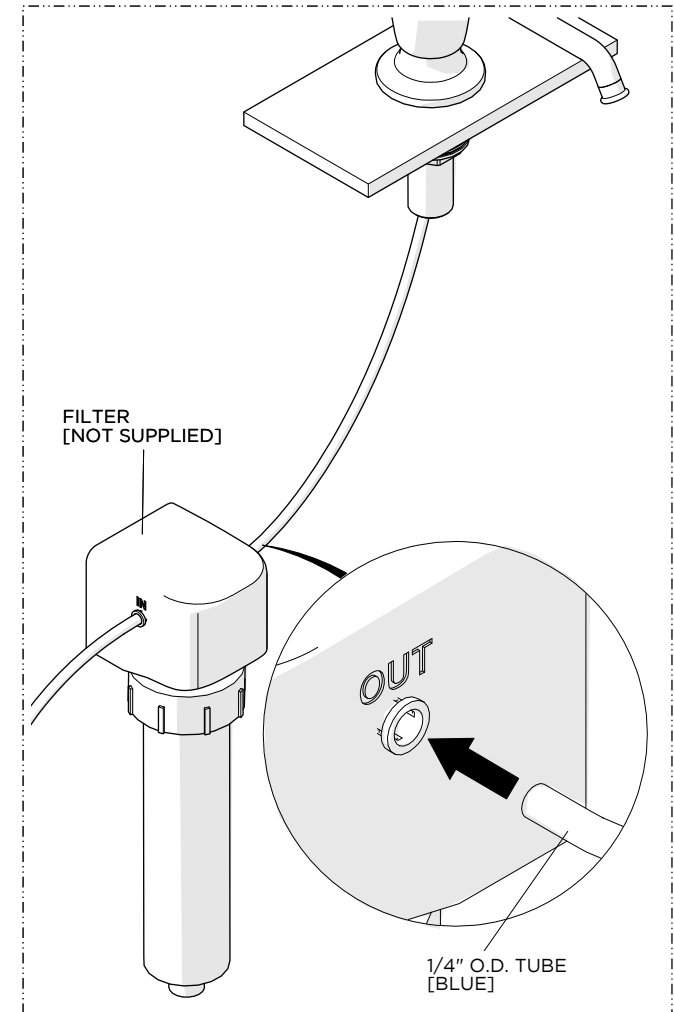


1. Unthread and remove the NUT, PLASTIC WASHER and RUBBER WASHER from the SHANK.

**NOTE:** Do **NOT** remove the O-RING beneath the ESCUTCHEON.

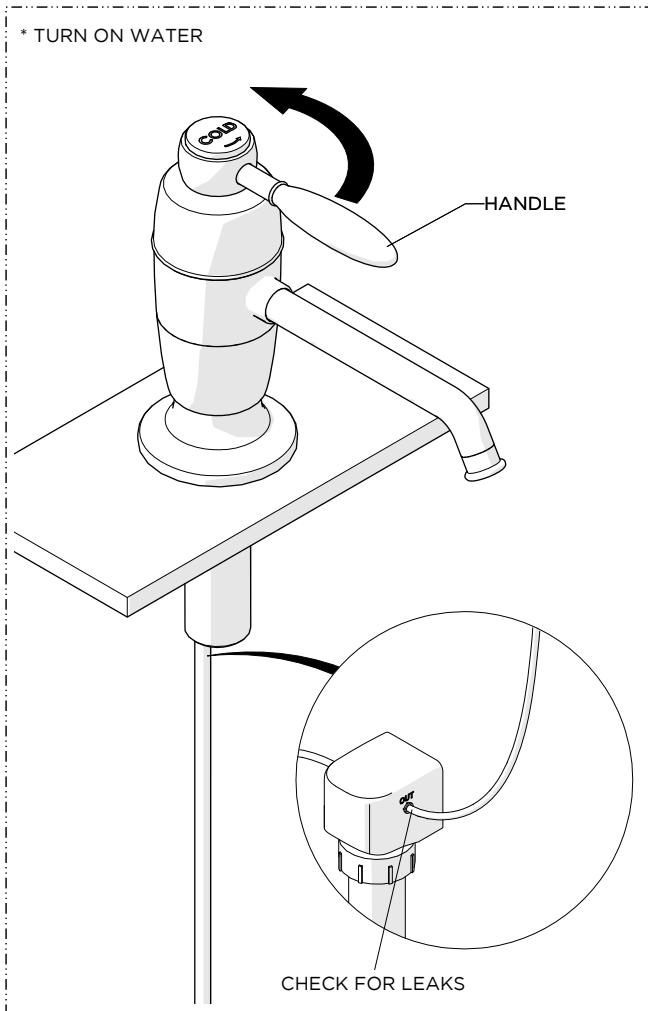


2. Insert the INLET TUBE and SHANK through the hole on the mounting surface, then re-attach the WASHERS and securely tighten the NUT.

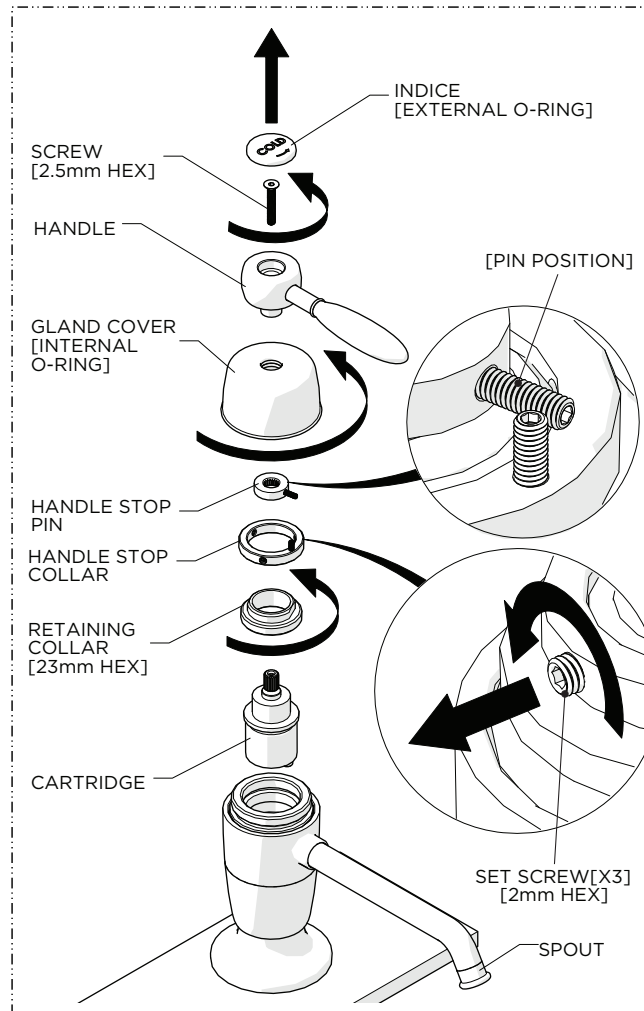


3. Insert the BLUE 1/4" O.D. INLET TUBE from the SPOUT into the WATER FILTER OUTLET (not supplied).

# INSTALLATION GUIDELINES



4. Turn on the water to flush out any debris in the supply line, operate the HANDLE and SPOUT to ensure they function properly and inspect all connections for leaks.

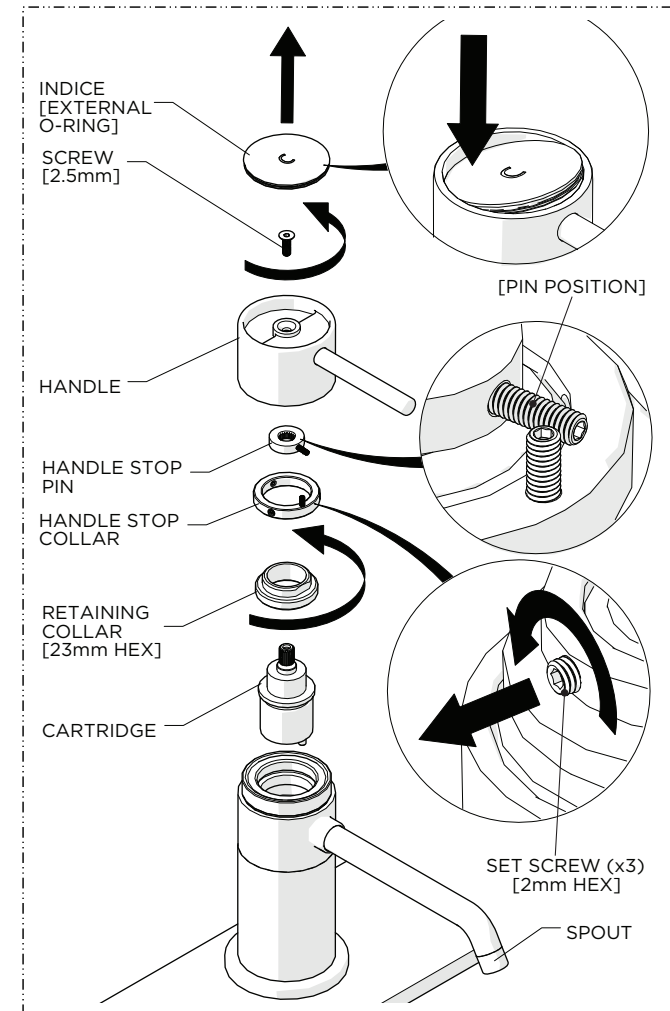


### SERVICING THE CARTRIDGE: UNWD12, UNWD32 ONLY

1. Remove the INDICE then unthread the SCREW, pull off the HANDLE and unthread the GLAND COVER.
2. Remove the HANDLE STOP PIN then loosen, but do NOT remove, the SET SCREWS (x3) and remove the HANDLE STOP COLLAR.

**NOTE:** Ensure the HANDLE STOP PIN is positioned correctly when replaced.

3. Unthread the RETAINING COLLAR then remove the CARTRIDGE.



### SERVICING THE CARTRIDGE: UNWD52 ONLY

1. Remove the INDICE then unthread the SCREW and pull off the HANDLE.
2. Remove the HANDLE STOP PIN then loosen, but do NOT remove, the SET SCREW (x3) and remove the HANDLE STOP COLLAR.

**NOTE:** Ensure the HANDLE STOP PIN is positioned correctly when replaced.

3. Unthread the RETAINING COLLAR then remove the CARTRIDGE.