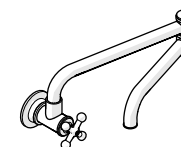


# INSTALLATION GUIDELINES



STYLE No. DSPF01, DS01PF  
Dash Wall Mounted Articulated Pot Filler with Metal Cross Handle

## IMPORTANT:

- To ensure this product is installed properly, you must read and follow these guidelines.
- The owner/user of this product must keep this information for future reference.
- This product must be installed by a professional licensed contractor and must be onsite prior to rough-in, this allows the installer to visualize the installation.
- Be sure your installation conforms to federal, state, and local codes. In the State of Massachusetts, all installations must comply with the rules and regulations set forth within 248 CMR.
- Inspect this product to ensure you have all the parts required for proper installation. Product is sold partially assembled but shown fully disassembled for illustrative and service purposes only.
- Use only a strap wrench or protected/smooth-jaw wrench on any finished surface.
- The use of certain plumber's putty may stain stone or tile surfaces.
- If further assistance is required, please contact Product Support at 1-800-927-2120 Monday through Friday, 8am - 6pm EST.
- Refer to the separate Service Parts Documents for available replacement parts.

## TECHNICAL DETAILS:

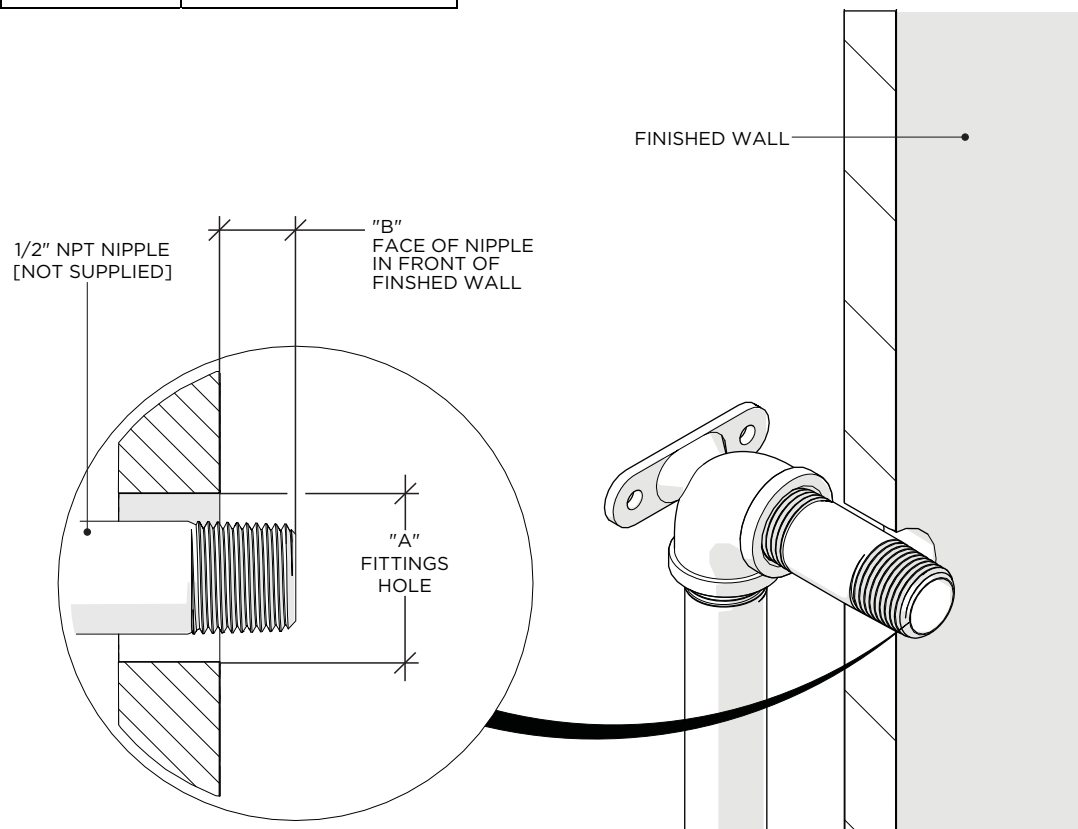
DETAIL	SPECIFICATION
HANDLE TURN ANGLE	QUARTER TURN
INLET CONNECTION	1/2" FEMALE NPT †
SPOUT SWIVEL	YES
WATER PRESSURE RANGE	20psi [1.4 bar] MIN 80psi [5.5 bar] MAX
WATER PRESSURE RECOMMENDED	45psi [3.0 bar]

† UK Style No. **DS01PF** is supplied with 1 **BSPP** adapter, assembly required.

## ROUGH-IN:

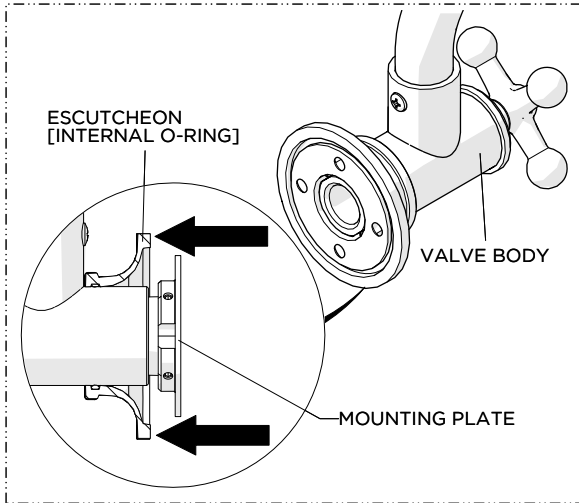
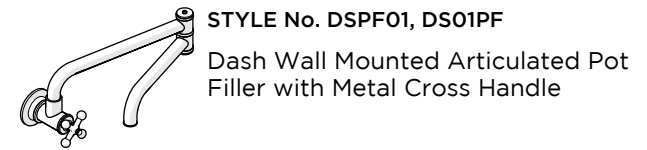
- Determine the ideal location based on the client's preference and rough-in a well supported 1/2" NPT NIPPLE (not supplied).
- Adequate blocking in the wall is required to properly support the inlet supply and MOUNTING HARDWARE.

DIMENSION	VALUE
A	1-1/4" [32mm]
B	1/2" [13mm]

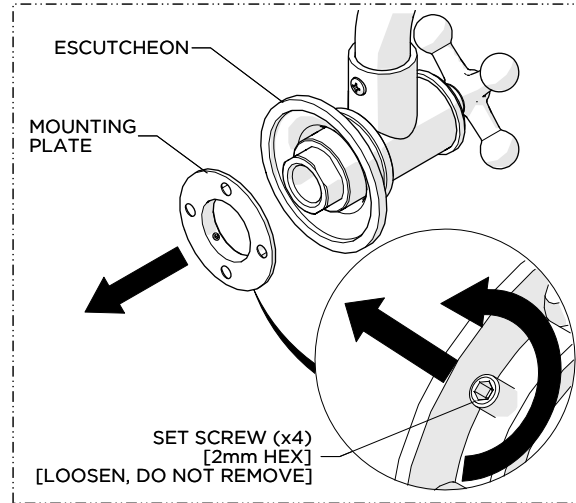


# WATERWORKS

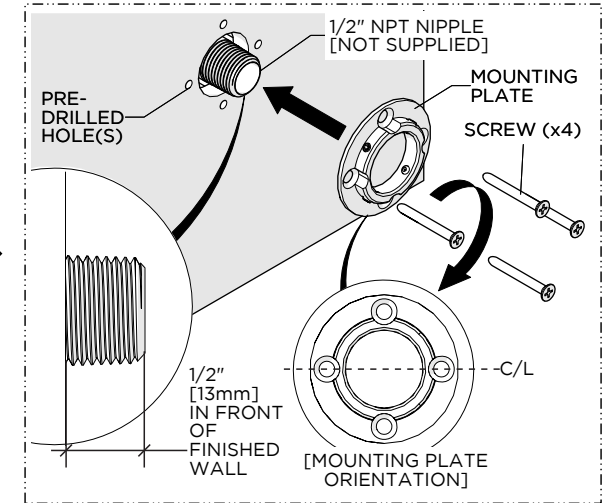
## INSTALLATION GUIDELINES



1. Slide the ESCUTCHEON against the VALVE BODY to expose the SET SCREWS.

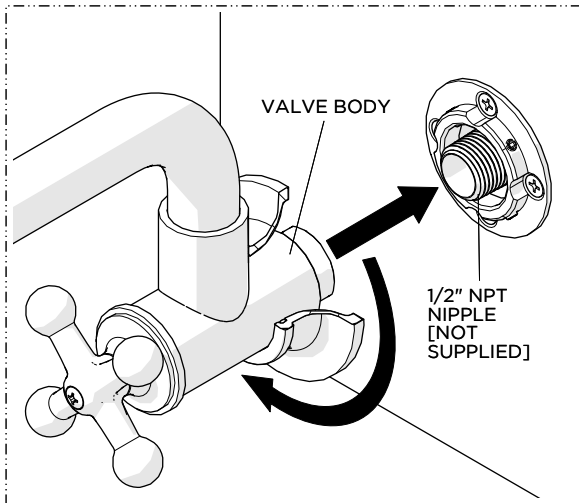


2. Loosen, but do **NOT** remove, the SET SCREWS (x4) using a 2mm HEX KEY and remove the MOUNTING PLATE.

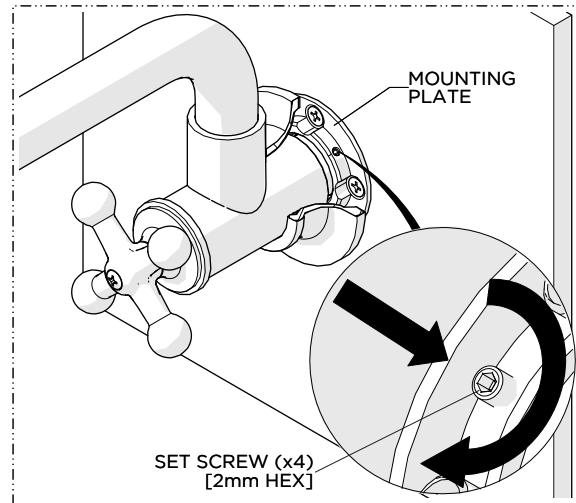


3. Ensure the NIPPLE (not supplied) protrudes 1/2" [13mm] in front of the finished wall then install the MOUNTING PLATE in the proper orientation using the SCREWS (x4) provided.

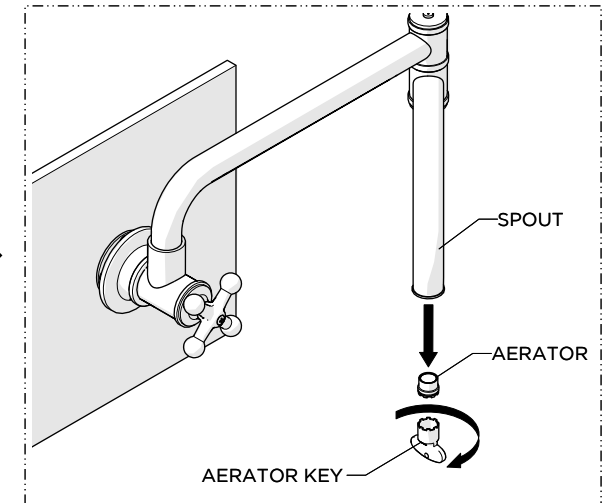
**NOTE:** Adequate **BLOCKING** is required.



4. Thread and securely tighten the VALVE BODY onto the NIPPLE (not supplied).



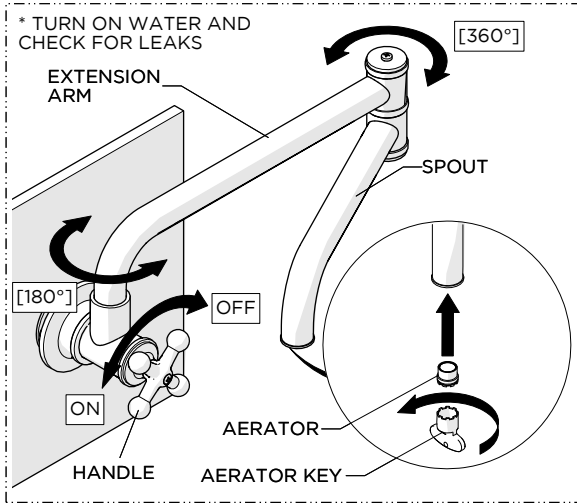
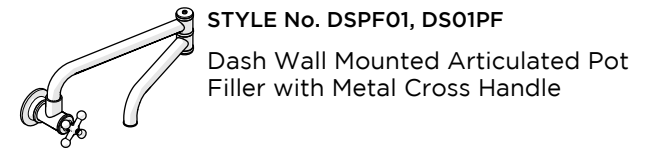
5. Securely tighten the SET SCREWS (x4) on the MOUNTING PLATE to secure the SPOUT and prevent it from rotating.



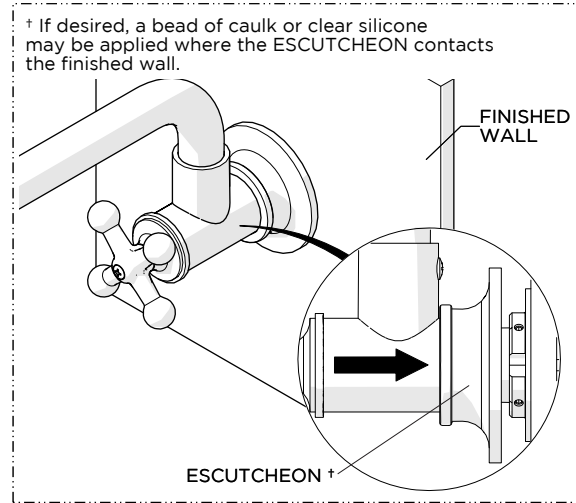
6. Unthread and remove the AERATOR from the SPOUT using the AERATOR KEY provided.

# WATERWORKS

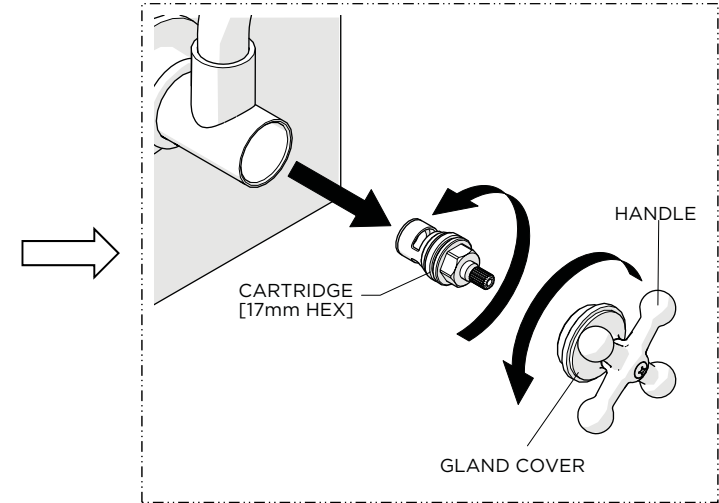
## INSTALLATION GUIDELINES



7. Turn on the water and operate the HANDLE to flush out any debris in the supply line and check for leaks then turn off water and re-install the AERATOR.

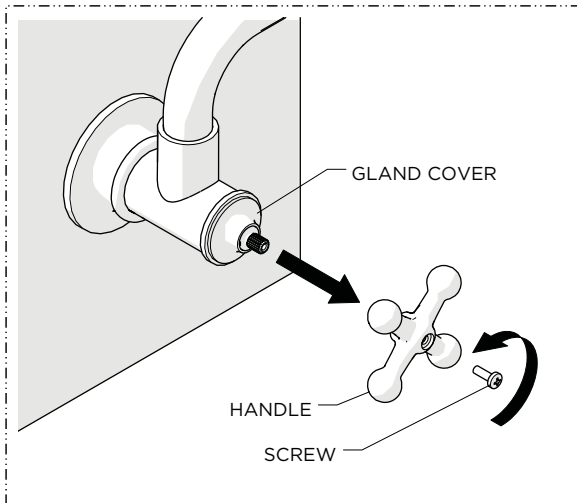


8. Slide the ESCUTCHEON down the VALVE BODY until it contacts the finished wall.



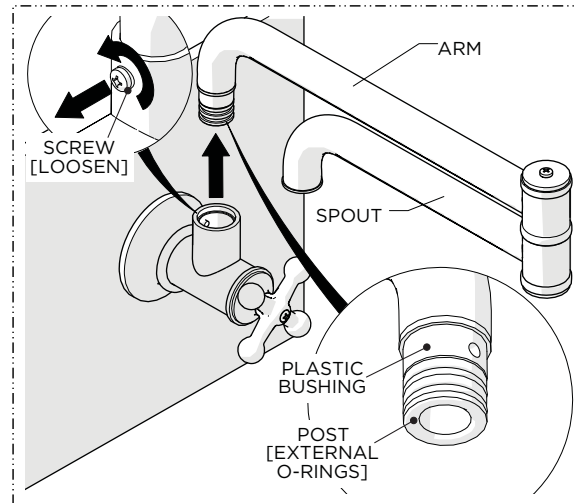
### SERVICING THE CARTRIDGE:

1. Unthread the GLAND COVER and pull the HANDLE off to expose the CARTRIDGE then unthread and remove the CARTRIDGE.



### SERVICING THE HANDLE:

1. Unthread the SCREW then remove the HANDLE.



### SERVICING THE ARTICULATED ARM:

1. Loosen, but do NOT remove, the SCREW at the base of the ARM then remove the ARM to expose the POST with the PLASTIC BUSHING and external O-RINGS.