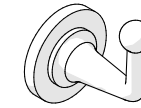


WATERWORKS

INSTALLATION GUIDELINES

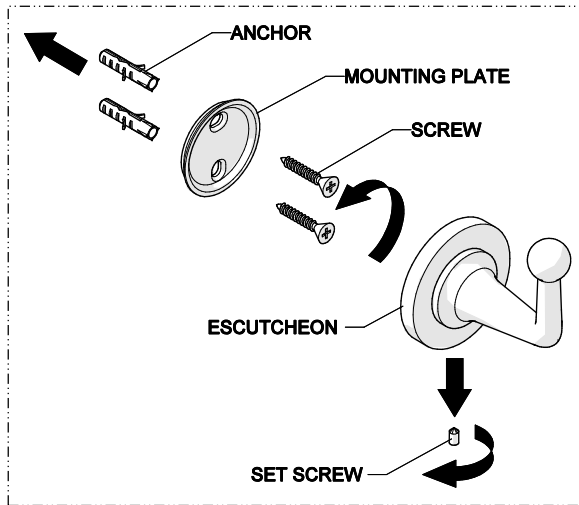


STYLE No. DSRH01

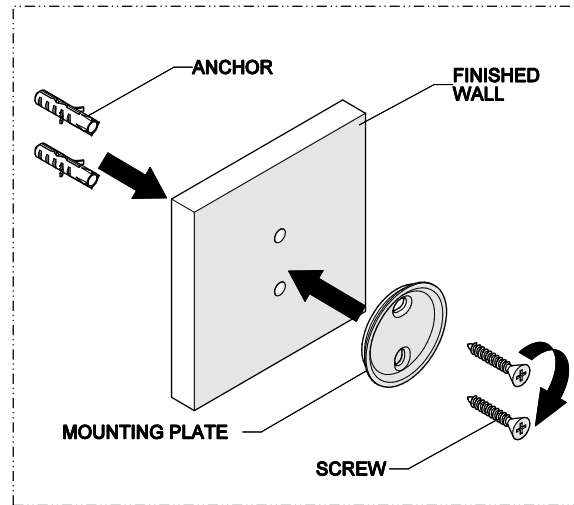
Dash Wall Mounted Single Robe Hook

IMPORTANT:

- To ensure this product is installed properly, you must read and follow these guidelines.
- The owner/user of this product must keep this information for further reference.
- This product must be installed by a professional licensed contractor.
- Inspect this product to ensure you have all the parts required for proper installation.

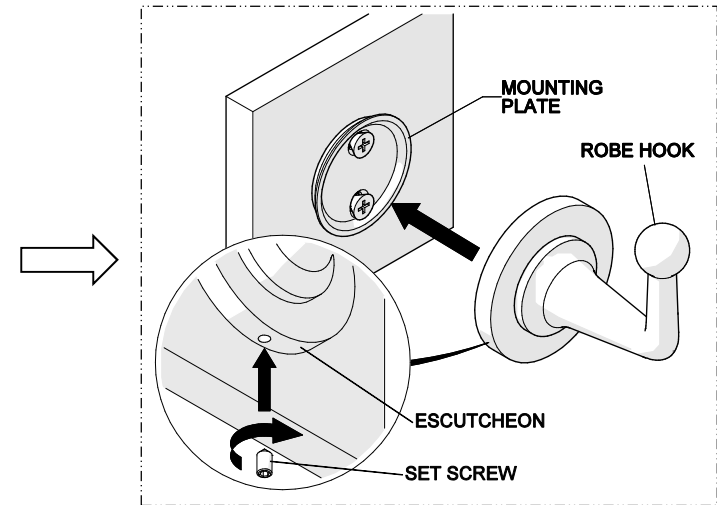


1. Unthread the SET SCREW and remove the MOUNTING PLATE, SCREWS and ANCHORS from ROBE HOOK.



2. Secure the MOUNTING PLATE onto the finished wall using the SCREWS provided.

NOTE: Blocking is required but ANCHORS are provided if only dry wall is installed.



3. Place the ROBE HOOK over the MOUNTING PLATE then thread and securely tighten the SET SCREW into the ESCUTCHEON.