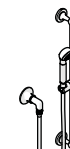


# INSTALLATION GUIDELINES



## IMPORTANT:

- To ensure this product is installed properly, you must read and follow these guidelines.
- The owner/user of this product must keep this information for future reference.
- This product must be installed by a professional licensed contractor and must be onsite prior to rough-in, this allows the installer to visualize the installation.
- Be sure your installation conforms to federal, state, and local codes. In the State of Massachusetts, all installations must comply with the rules and regulations set forth within 248 CMR.
- Inspect this product to ensure you have all the parts required for proper installation. Product is sold partially assembled but shown fully disassembled for illustrative and service purposes only.
- Use only a strap wrench or protected/smooth-jaw wrench on any finished surface.
- The use of certain plumber's putty may stain stone or tile surfaces.
- If further assistance is required, please contact Product Support at 1-800-927-2120 Monday through Friday, 8am - 6pm EST.
- Refer to the separate Service Parts Documents for available replacement parts.

## TECHNICAL DETAILS:

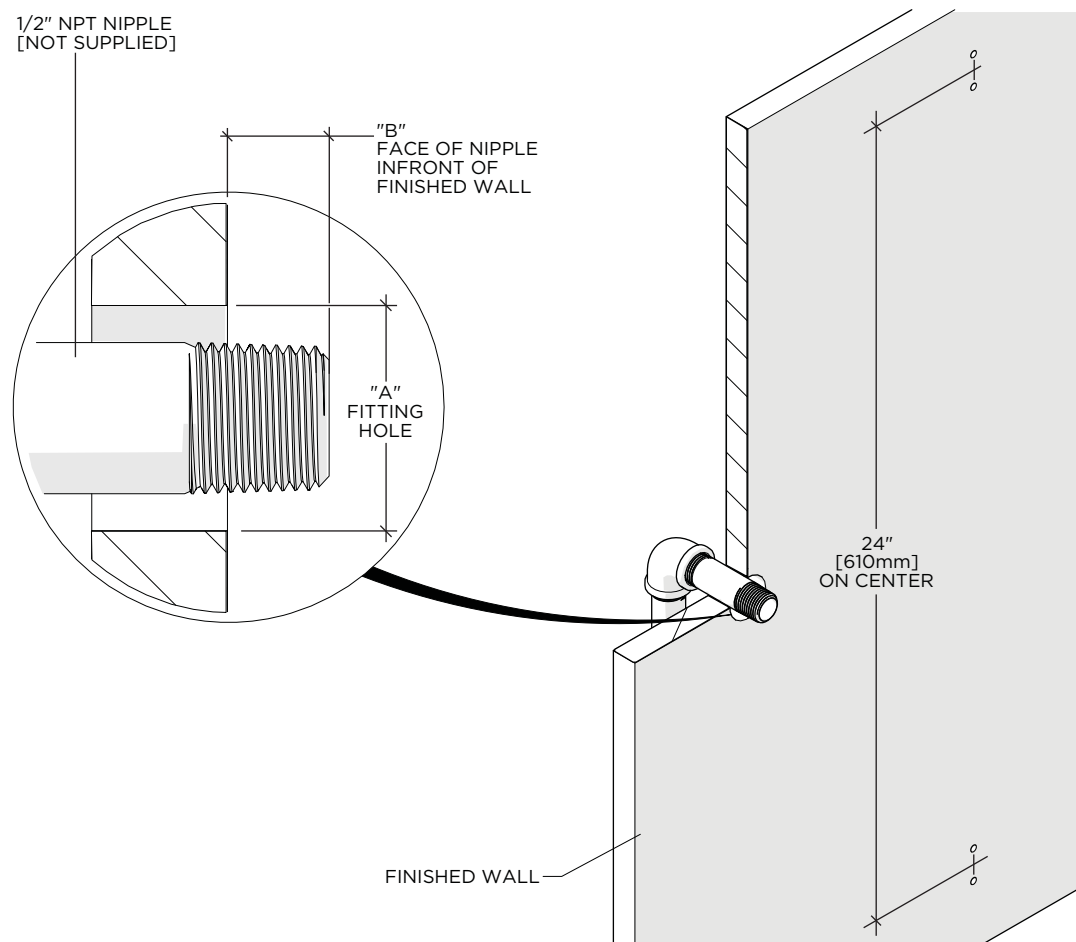
| ADJUSTABLE VERSUS FIXED SPRAY | FIXED                                      |
|-------------------------------|--|
| FITTING HOLE DIAMETER         | 1-3/8" [35mm]                              |
| HANDSHOWER/SPRAY HOSE LENGTH  | 59" [1.5m]                                 |
| INLET CONNECTION              | 1/2" FEMALE NPT †                          |
| INTEGRATED DIVERTER           | NO   |
| PIVOT                         | YES  |
| RESTRICTED MAXIMUM FLOW RATE  | 2.5gpm [9.5L/min]                          |
| WATER PRESSURE RANGE          | 20psi [1.5 bar] MIN<br>85psi [6.0 bar] MAX |
| WATER PRESSURE RECOMMENDED    | 45psi [3.0 bar]                            |

† UK Style No. **DS10HS** is supplied with 1 **BSPP** adapter, assembly required.

## ROUGH-IN:

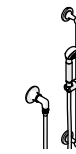
- Determine the ideal location for the SUPPLY ELBOW and rough-in a well supported 1/2" NPT NIPPLE (not supplied).
- Adequate blocking in the wall is required.

| DIMENSION | VALUE         |
|-----------|---------------|
| A         | 1-3/8" [35mm] |
| B         | 1/2" [13mm]   |



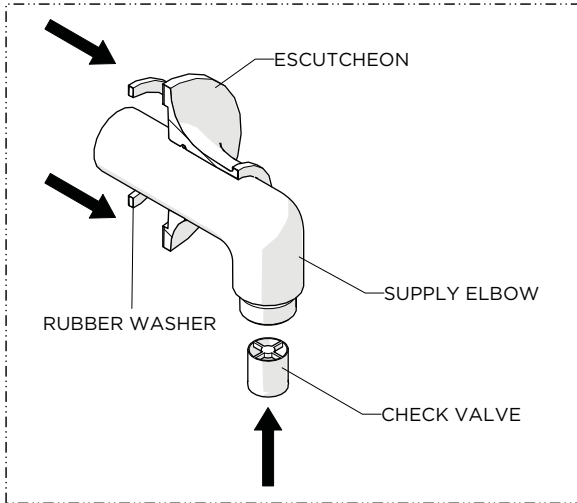
# WATERWORKS

## INSTALLATION GUIDELINES



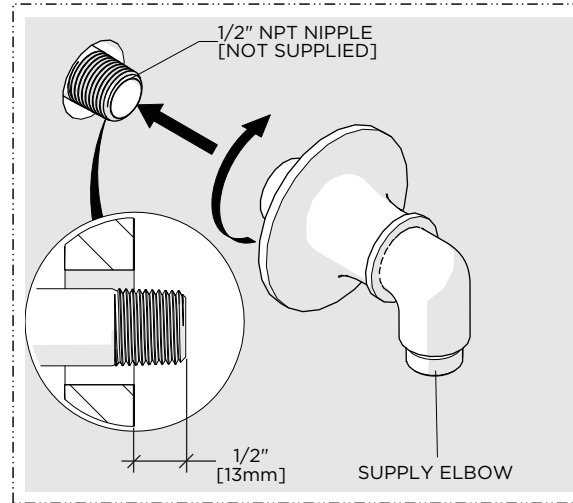
STYLE No. DSHS10, DS10HS

Dash Handshower on Bar

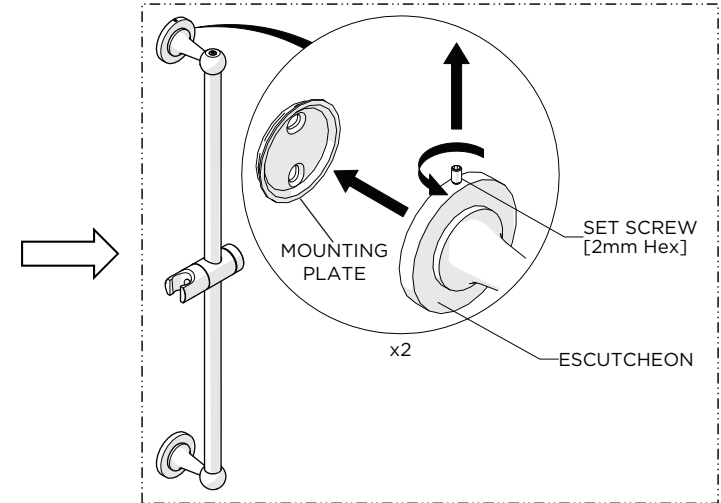


1. Slide the ESCUTCHEON and RUBBER WASHER onto the SUPPLY ELBOW.

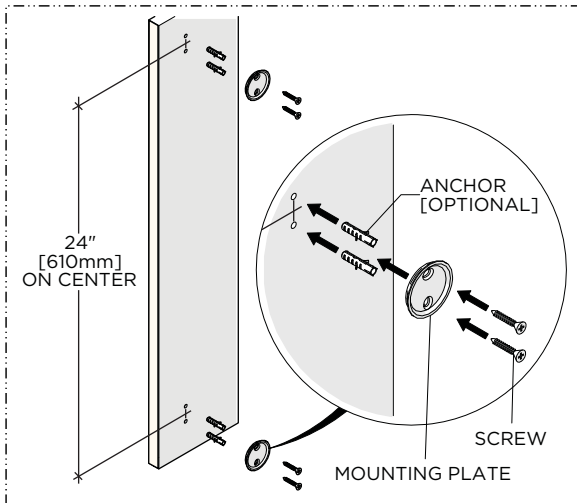
**NOTE:** A CHECK VALVE is located in the outlet of the ELBOW.



2. Ensure the 1/2" NPT NIPPLE (not supplied) projects 1/2" [13mm] from the surface of the finished wall then thread and securely tighten the SUPPLY ELBOW onto the NIPPLE.

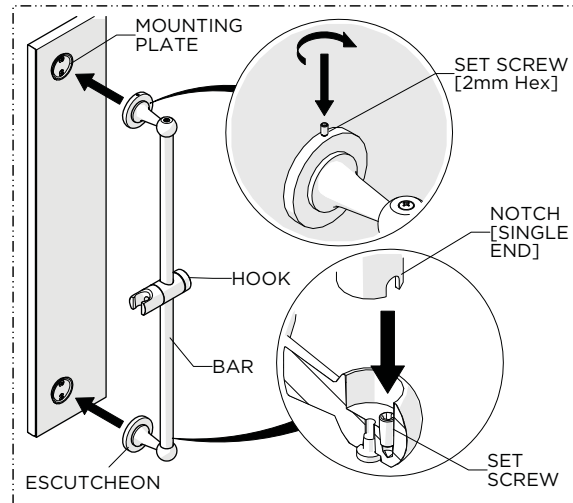


3. Loosen the SET SCREW on each ESCUTCHEON on the BAR using a 2mm HEX KEY and remove the MOUNTING PLATES.



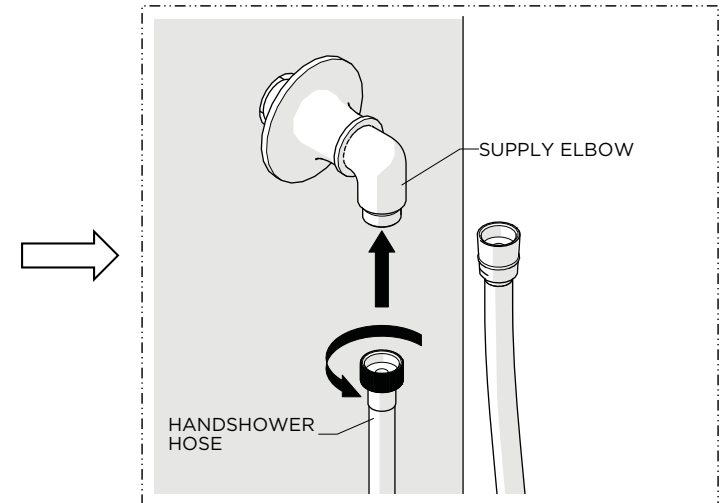
4. Install the MOUNTING PLATES at the proper on-center spread of 24" [610mm] using the SCREWS provided.

**NOTE:** Adequate blocking is required but PLASTIC ANCHORS are provided, if necessary.



5. Place the BAR assembly over the MOUNTING PLATES, making sure the notch on the BAR is seated properly, then thread and securely tighten the SET SCREWS on each ESCUTCHEON.

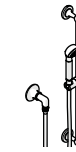
**NOTE:** If desired, a bead of caulk or clear silicone can be applied where the ESCUTCHEON contacts the finished wall



6. Thread and securely tighten the knurled end of the HOSE to the ELBOW.

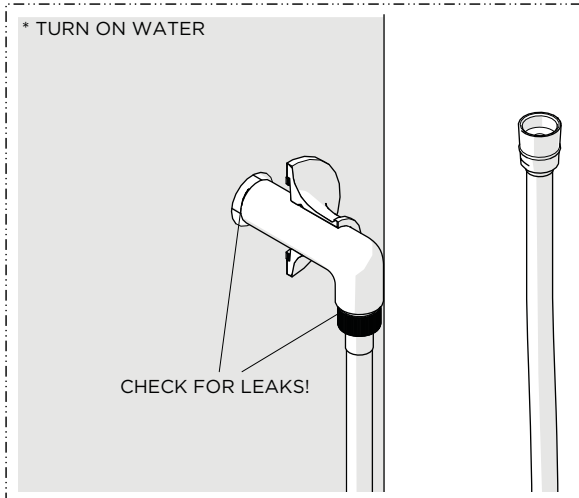
# WATERWORKS

## INSTALLATION GUIDELINES

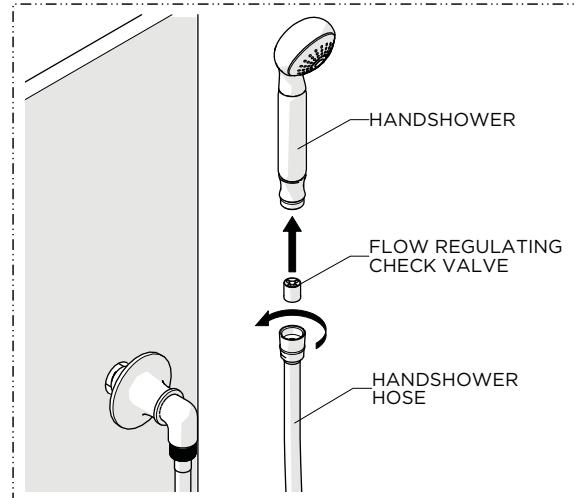


STYLE No. DSHS10, DS10HS

Dash Handshower on Bar

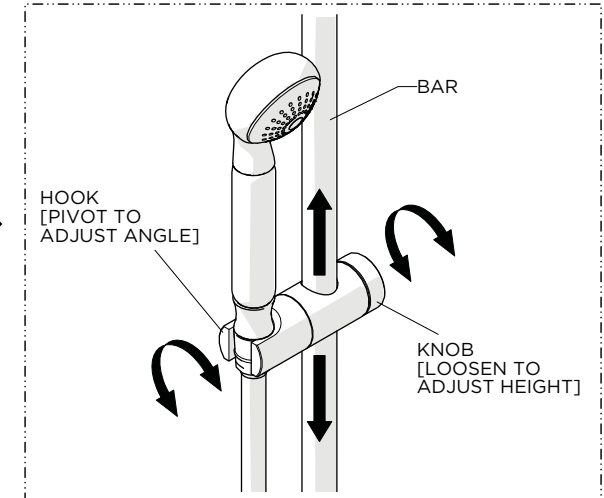


7. Turn on the water and a diverter/wall valve (sold separately) to flush out any debris in the supply line and inspect all connections for leaks then turn the water off.

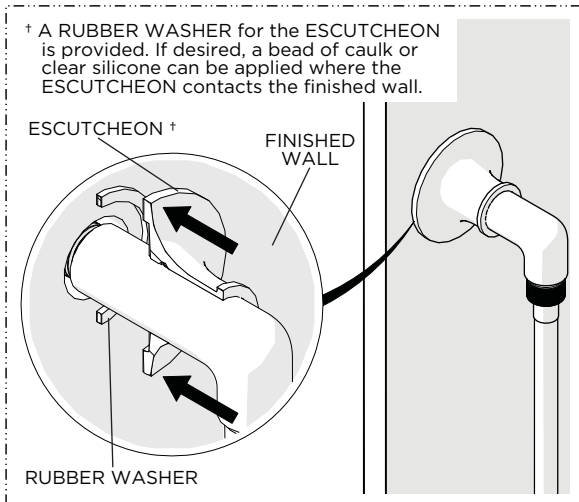


8. Thread and securely tighten the conical end of the HOSE to the HANDSHOWER.

**NOTE:** A FLOW REGULATING CHECK VALVE is located in the inlet of the HANDSHOWER.



9. Place the HANDSHOWER on the HOOK and adjust the height and angle as needed.



10. Slide the ESCUTCHEON up the ELBOW until it contacts the finished wall.