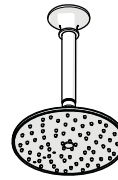


# INSTALLATION GUIDELINES



**STYLE No. DSSH30**

Dash Ceiling Mounted 8" Shower Head, Arm and Flange

**STYLE No. DSSH3C**

Dash Ceiling Mounted Arm and Flange

**STYLE No. UNSH18**

Universal 8" Shower Head

## IMPORTANT:

- To ensure this product is installed properly, you must read and follow these guidelines.
- The owner/user of this product must keep this information for future reference.
- This product must be installed by a professional licensed contractor and must be onsite prior to rough-in, this allows the installer to visualize the installation.
- Be sure your installation conforms to federal, state, and local codes. In the State of Massachusetts, all installations must comply with the rules and regulations set forth within 248 CMR.
- Inspect this product to ensure you have all the parts required for proper installation. Product is sold partially assembled but shown fully disassembled for illustrative and service purposes only.
- Use only a strap wrench or protected/smooth-jaw wrench on any finished surface.
- The use of certain plumber's putty may stain stone or tile surfaces.
- If further assistance is required, please contact Product Support at 1-800-927-2120 Monday through Friday, 8am - 6pm EST.
- Refer to the separate Service Parts Documents for available replacement parts.

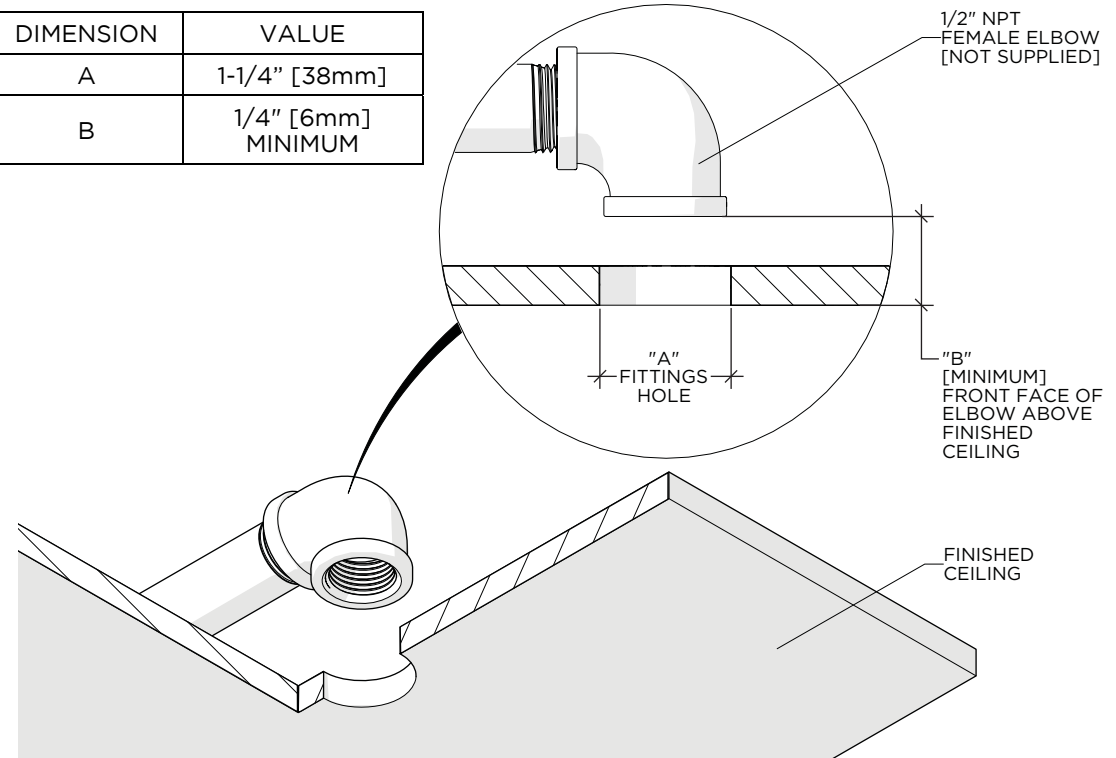
## TECHNICAL DETAILS:

ADJUSTABLE VERSUS FIXED SPRAY	FIXED
DIAMETER OF HEAD	10 1/16" [255mm]
INLET CONNECTION	1/2" MALE NPT
INTEGRATED DIVERTER	NO
PIVOT	YES
RESTRICTED MAXIMUM FLOW RATE	2.5gpm [9.5L/min]
WATER PRESSURE RANGE	20psi [1.5 bar] MIN 85psi [6.0 bar] MAX
WATER PRESSURE RECOMMENDED	45psi [3.0 bar]

## ROUGH-IN:

- Determine the ideal location for the SHOWER HEAD and rough-in a well supported 1/2" NPT FEMALE ELBOW (not supplied) to the appropriate depth.

DIMENSION	VALUE
A	1-1/4" [38mm]
B	1/4" [6mm] MINIMUM



# WATERWORKS

## INSTALLATION GUIDELINES

STYLE No. DSSH30

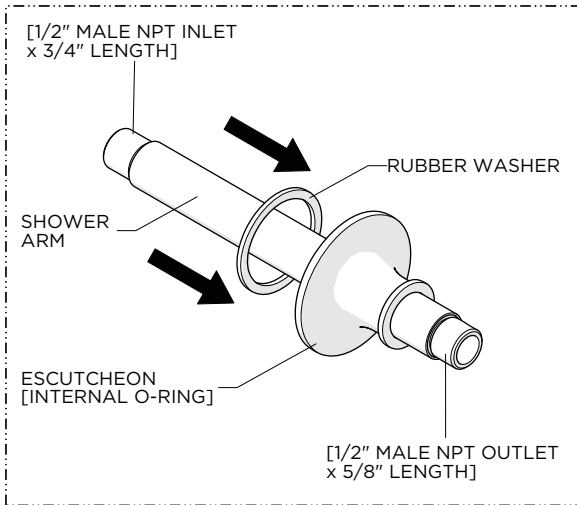
Dash Ceiling Mounted 8" Shower Head,  
Arm and Flange

STYLE No. DSSH3C

Dash Ceiling Mounted Arm and Flange

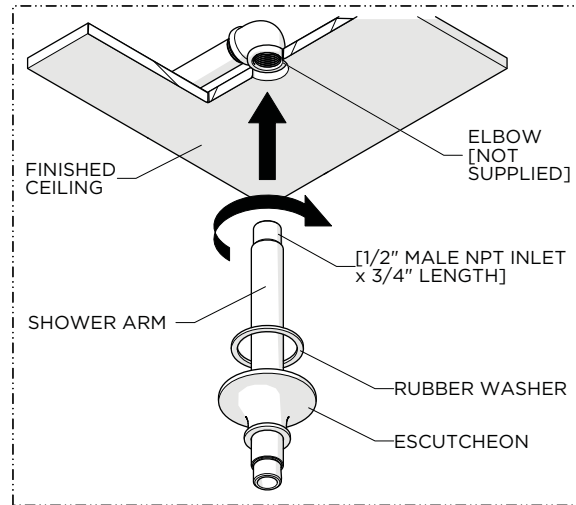
STYLE No. UNSH18

Universal 8" Shower Head

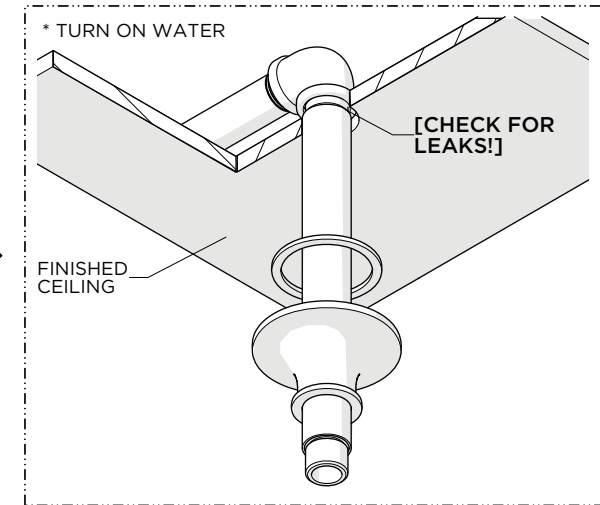


1. Slide the ESCUTCHEON and RUBBER WASHER onto the SHOWER ARM.

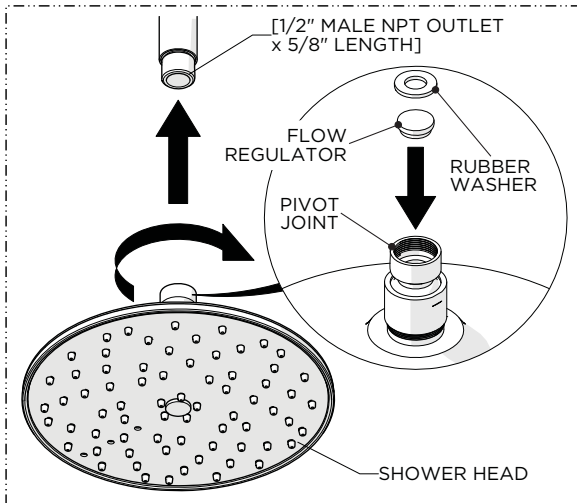
**CAUTION:** The threads on the inlet end of the SHOWER ARM are longer than the outlet end.



2. Making sure the ELBOW (not supplied) is properly roughed-in, thread and securely tighten the SHOWER ARM into the ELBOW.

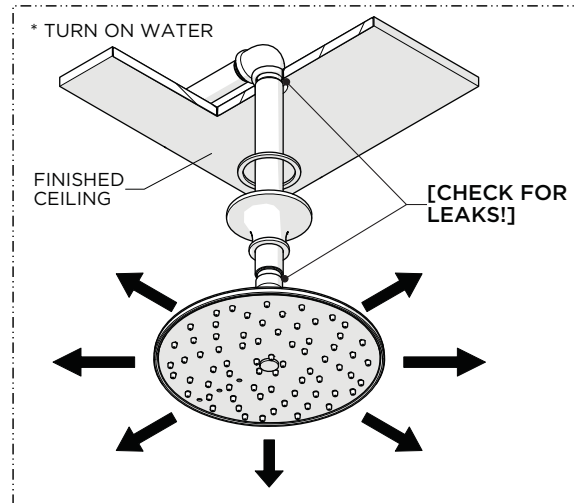


3. Turn on the water and a diverter/wall valve (sold separately) to flush out any debris in the supply line and inspect all connections for leaks then turn the water off.

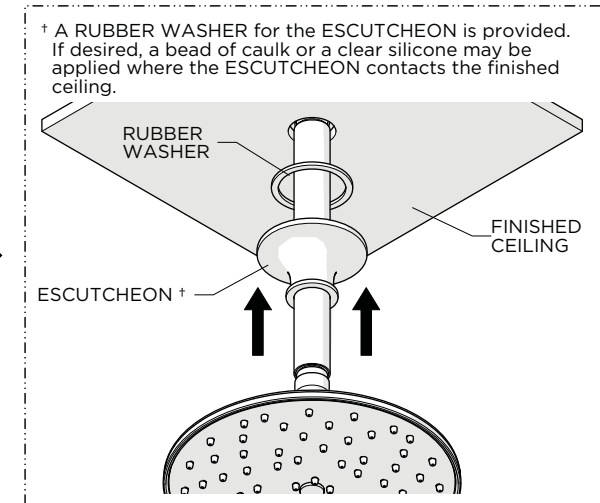


4. Insert the RUBBER WASHER into the PIVOT JOINT on the SHOWER HEAD then thread and securely tighten the PIVOT JOINT onto the SHOWER ARM.

**NOTE:** A FLOW REGULATOR is located inside the PIVOT JOINT.



5. Turn on the water and operate the SHOWER HEAD to ensure it pivots and functions properly. Inspect all connections for leaks then turn the water off.



6. Slide the ESCUTCHEON along the SHOWER ARM until it contacts the finished ceiling.