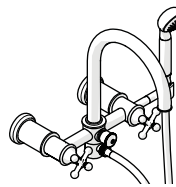
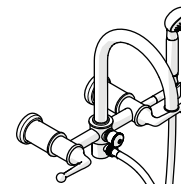


# INSTALLATION GUIDELINES



**STYLE No. DSXT20**

Dash Wall Mounted Exposed Tub Filler with Metal Handshower and Cross Handles



**STYLE No. DSXT30**

Dash Wall Mounted Exposed Tub Filler with Metal Handshower and Lever Handles

**IMPORTANT:**

- To ensure this product is installed properly, you must read and follow these guidelines.
- The owner/user of this product must keep this information for future reference.
- This product must be installed by a professional licensed contractor and must be on-site prior to rough-in. This allows the installer to visualize the installation and verify the 8" [203mm] on-center inlet supply spread. The inlet supply spread on this product is **NOT** adjustable.
- Check TUB measurements to assure the SPOUT projects far enough into the TUB.
- Run 3/4" supply lines for **maximum** flow and install accessible hot and cold service stop valves to facilitate servicing.
- Anti-scald protection is the responsibility of the installer and according to applicable codes. Be sure your installation conforms to federal, state, and local codes. In the State of Massachusetts, all installations must comply with the rules and regulations set forth within 248 CMR.
- Inspect this product to ensure you have all the parts required for proper installation. Product is sold partially assembled but shown fully disassembled for illustrative and service purposes only.
- Use only a strap wrench or protected/smooth-jaw wrench on any finished surface.
- The use of certain plumber's putty may stain stone or tile surfaces.
- If further assistance is required, please contact Product Support at 1-800-927-2120 Monday through Friday, 8am - 6pm EST.
- Refer to the separate Service Parts Documents for available replacement parts.

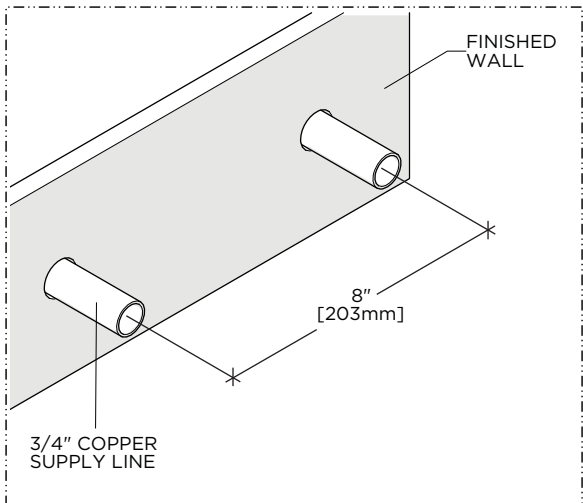
**TECHNICAL DETAILS:**

DETAIL	SPECIFICATION
DIAMETER OF HEAD	2-3/8" [60mm]
FITTINGS HOLE DIAMETER	Ø1-1/8" [29mm]
HANDLE TURN ANGLE	QUARTER TURN
HANDSHOWER HOSE LENGTH	59" [1.5m]
INLET CONNECTION	3/4" COPPER SWEAT
INLET SUPPLY SPREAD ( <b>NOT ADJUSTABLE</b> )	8" [203mm]
INTEGRATED DIVERTER	YES
PIVOT ( <b>HANDSHOWER HOOK ONLY</b> )	YES
RESTRICTED MAX FLOW RATE ( <b>HANDSHOWER ONLY</b> )	2.5gpm [9.5L/min]
SPOUT REACH	12-7/8" [327mm]
CARTRIDGE VALVE MATERIAL	CERAMIC
WATER PRESSURE RANGE	20psi [1.5 bar] MIN - 85psi [6.0 bar] MAX
WATER PRESSURE RECOMMENDED	45psi [3.0 bar]

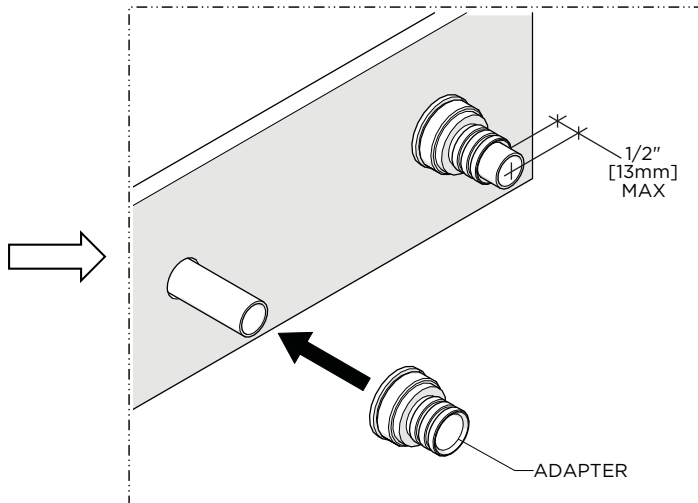
**ROUGH IN:**

- Run well supported 3/4" hot and cold copper supply lines for **maximum** water flow.
- **WARNING:** The inlet supply spread on this product is **NOT** adjustable. If the rough-in is **NOT** accurate it will make the installation difficult or impossible. Verify the supply lines are secure, level, perpendicular to the finished wall, parallel to each other at the proper spread of 8" [203mm] and at equal depths.
- **IMPORTANT:** The supply lines **MUST** project a **MINIMUM** of 2-1/4" [57mm] from the surface of the finished wall.

# INSTALLATION GUIDELINES

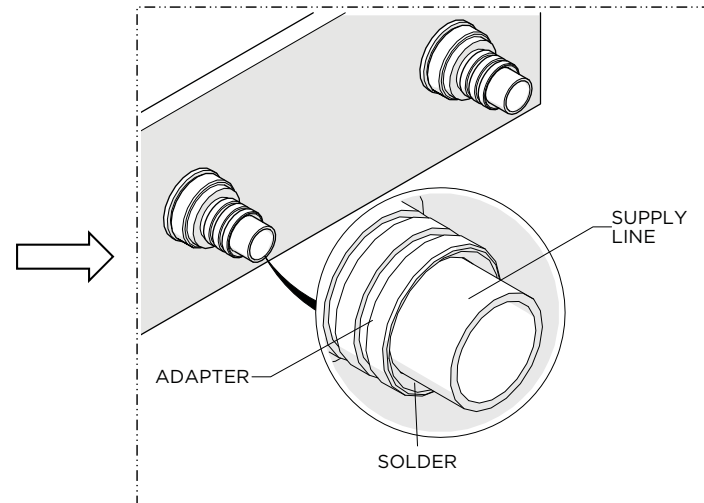


1. **IMPORTANT:** Verify the 8" inlet supply spread prior to installation.



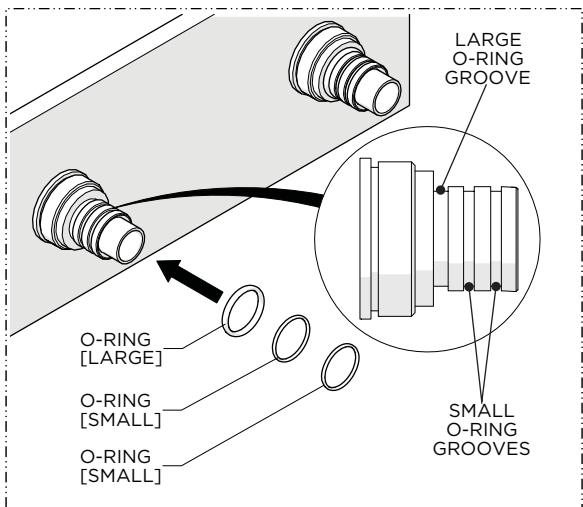
2. Slide the 3/4" SWEAT ADAPTERS over the copper supply lines and hold flush against the finished wall.

**NOTE:** The supply lines should not protrude more than 1/2" beyond the ADAPTERS.

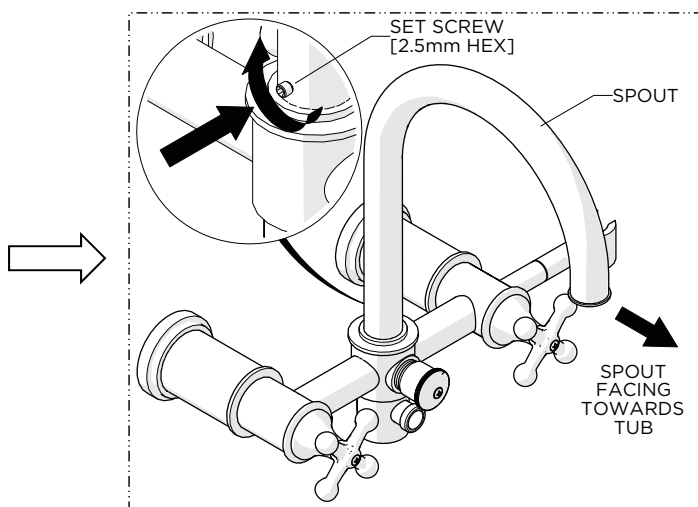


3. Solder the copper supply lines to the inner diameter of the ADAPTERS.

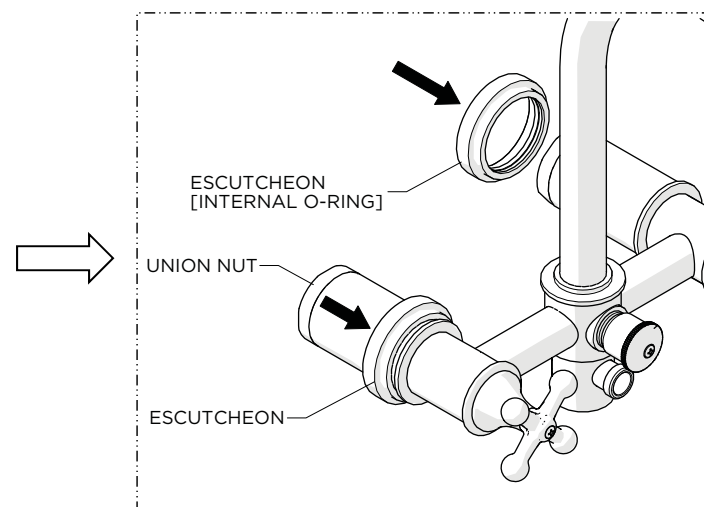
**CAUTION:** Ensure there are no O-RINGS on the ADAPTERS prior to soldering to prevent damage.



4. Install the O-RINGS onto the SWEAT ADAPTERS.

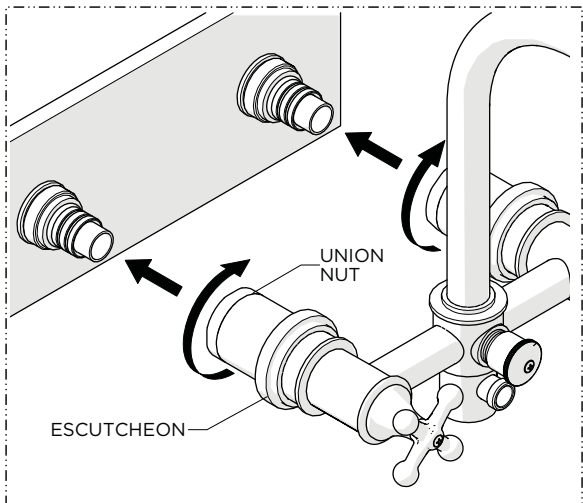


5. Align the SPOUT properly and securely tighten the SET SCREW at the base of the SPOUT using a 2.5mm HEX KEY.

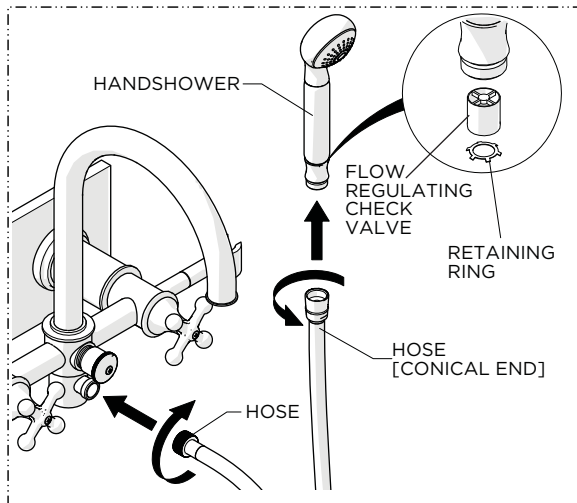


6. Slide the ESCUTCHEONS up the UNIONS to expose the UNION NUTS.

INSTALLATION GUIDELINES

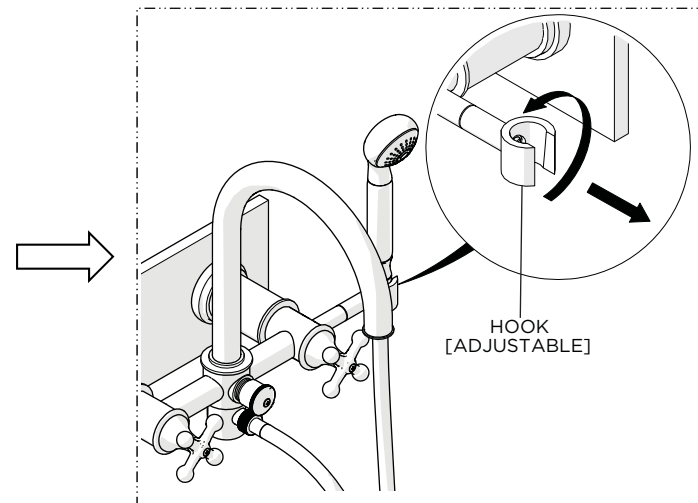


7. Align the UNIONS over the SWEAT ADAPTERS then thread and securely tighten the UNIONS onto the ADAPTERS.



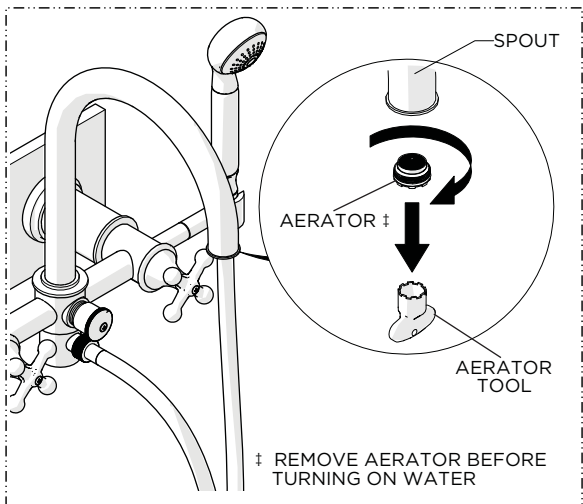
8. Connect the conical end of the HOSE to the HANDSHOWER then connect the HOSE to the bottom of the VALVE BODY.

**NOTE:** There is a FLOW REGULATING CHECK VALVE inside the inlet of the HANDSHOWER.



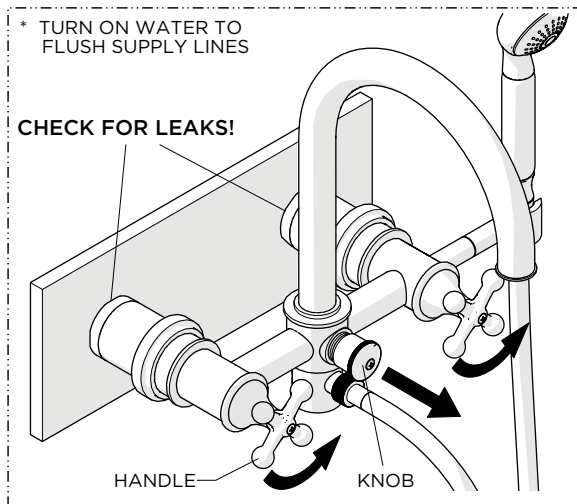
9. Place the HANDSHOWER on the HOOK and adjust the angle as needed.

**NOTE:** The angle of the HOOK can be adjusted in 18° increments.



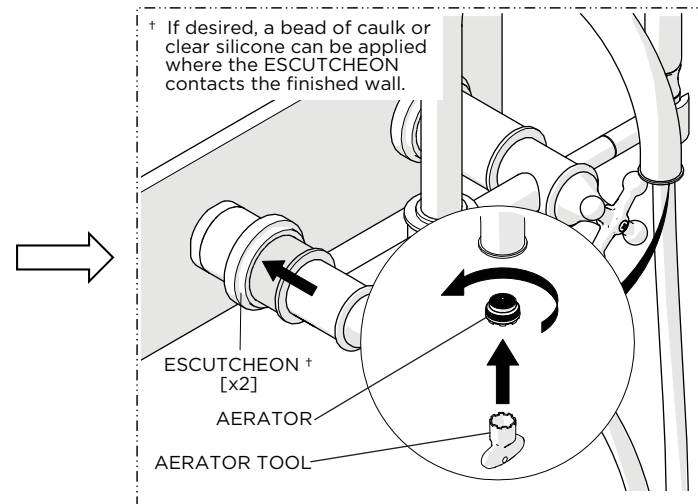
10. Remove the AERATOR using the TOOL provided **BEFORE** turning on the water and diverting water to the HANDSHOWER.

† REMOVE AERATOR BEFORE TURNING ON WATER



11. Turn on the water to flush out the supply lines, operate the HANDLES and DIVERTER KNOB to ensure they function properly, and carefully inspect all connections for leaks then turn off the water.

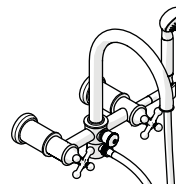
**NOTE:** To divert to the HANDSHOWER pull the DIVERTER KNOB.



12. Re-install the AERATOR then slide the ESCUTCHEONS down the UNIONS until they contact the finished wall.

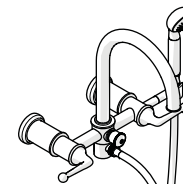
† If desired, a bead of caulk or clear silicone can be applied where the ESCUTCHEON contacts the finished wall.

SERVICING



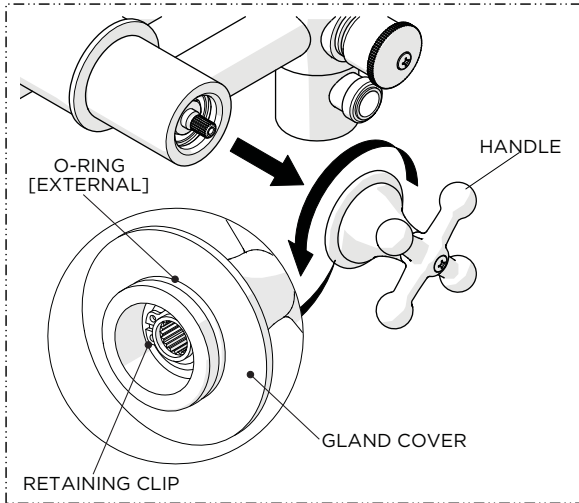
STYLE No. DSXT20

Dash Wall Mounted Exposed Tub Filler with Metal Handshower and Cross Handles



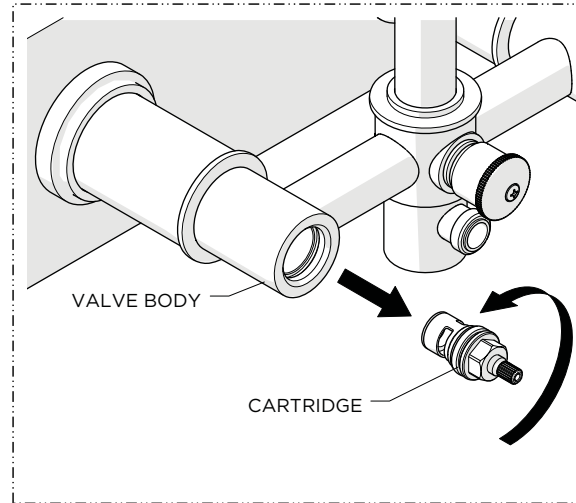
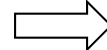
STYLE No. DSXT30

Dash Wall Mounted Exposed Tub Filler with Metal Handshower and Lever Handles

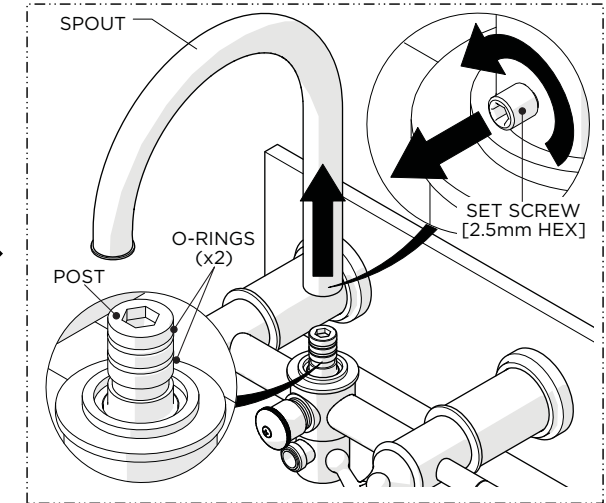
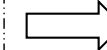


SERVICING THE CARTRIDGE:

1. Unthread the GLAND COVER and pull the HANDLE off to expose the CARTRIDGE.

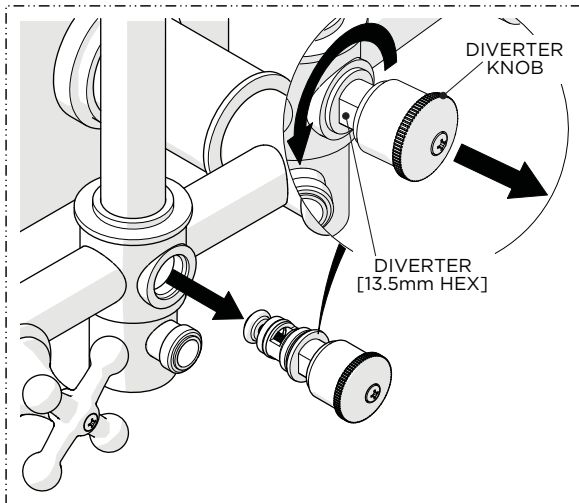


2. Unthread and remove the CARTRIDGE using a 21/32" [17mm] shower valve socket wrench (not provided).



SERVICING THE SPOUT:

1. Loosen but do NOT remove the SET SCREW at the base of the SPOUT then remove the SPOUT to expose the POST and external O-RINGS.



SERVICING THE DIVERTER:

1. Pull the DIVERTER KNOB to expose the DIVERTER NUT then unthread and remove the DIVERTER using a 13.5mm wrench.