

INSTALLATION GUIDELINES



STYLE No. DSTH30

Dash Metal Lever Handle
Thermostatic with Metal Cross
Handle Shutoff Trim

IMPORTANT:

- To ensure this product is installed properly, you must read and follow these guidelines.
- The owner/user of this product must keep this information for future reference.
- This product must be installed by a professional licensed contractor and must be onsite prior to rough-in, this allows the installer to visualize the installation.
- Be sure your installation conforms to federal, state, and local codes. In the State of Massachusetts, all installations must comply with the rules and regulations set forth within 248 CMR.
- This product **MUST BE** installed vertically as shown and **CANNOT** be installed horizontally. This product is intended to work with the Universal Thermostatic Valve with Integrated Volume Control Valve (Style No. GUTH48).
- **WARNING:** GUTH48 features anti-scald protection. The risk of scalding exists until the installer has properly calibrated/adjusted the temperature setting during final trim installation.
- Inspect this product to ensure you have all the parts required for proper installation. Product is sold partially assembled but shown fully disassembled for illustrative and service purposes only.
- Use only a strap wrench or protected/smooth-jaw wrench on any finished surface.
- The use of certain plumber's putty may stain stone or tile surfaces.
- If further assistance is required, please contact Product Support at 1-800-927-2120 Monday through Friday, 8am - 6pm EST.
- Refer to the separate Service Parts Documents for available replacement parts.

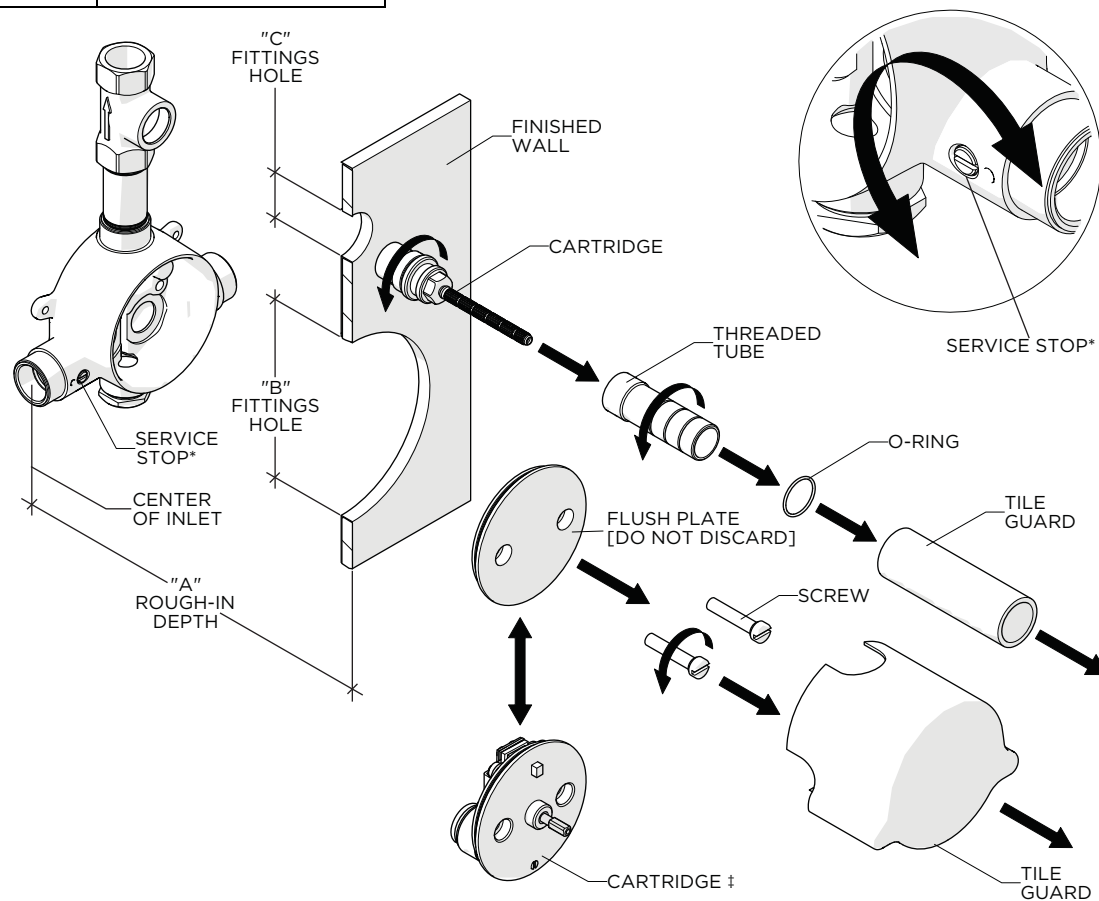
REQUIRED PLUMBING DETAILS:

- Universal 3/4" Thermostatic Valve with Integrated Volume Control Valve
STYLE No. GUTH48

ROUGH-IN AND VALVE PREPARATION:

- **CAUTION:** Make sure the supply lines are flushed prior to final TRIM installation using the FLUSH PLATE provided with the VALVE. Refer to the Installation Guidelines provided with the VALVE for further information on how to properly flush the supply lines.

DIM	VALUE
A	3-1/4" MIN [83mm]
B	Ø5-1/4" [133mm]
C	Ø1-3/8" [35mm]



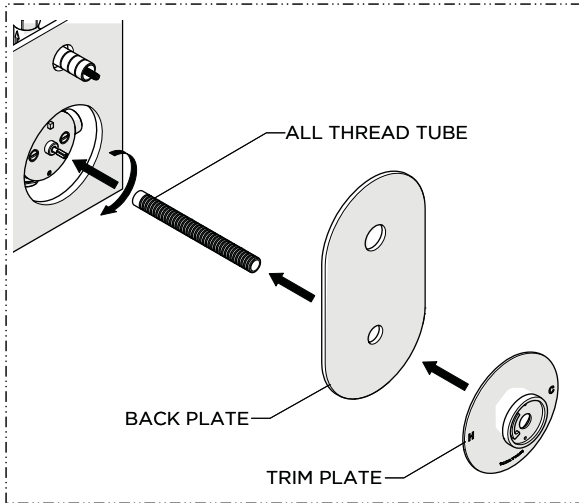
‡ **IMPORTANT:** The CARTRIDGE is packaged separately and provided with the VALVE.

INSTALLATION GUIDELINES

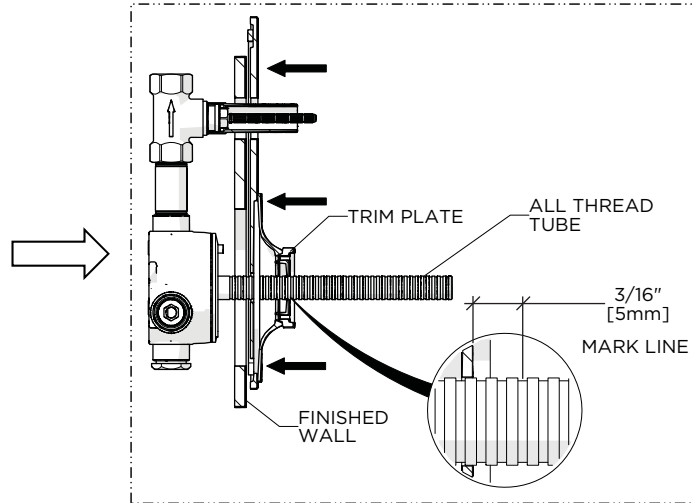


STYLE No. DSTH30

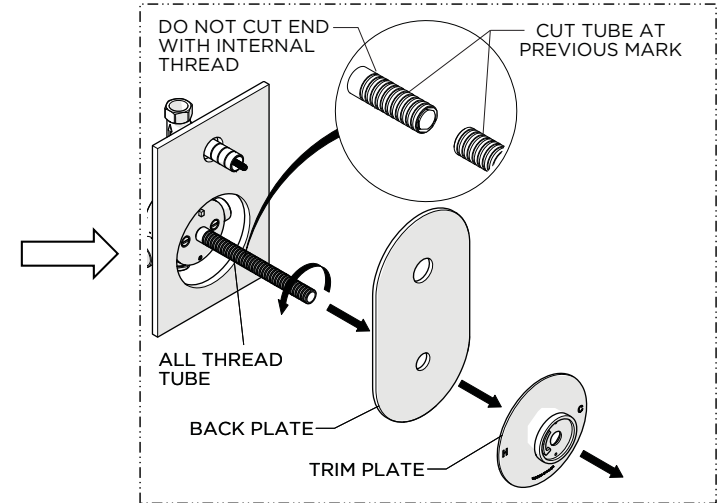
Dash Metal Lever Handle
Thermostatic with Metal Cross
Handle Shutoff Trim



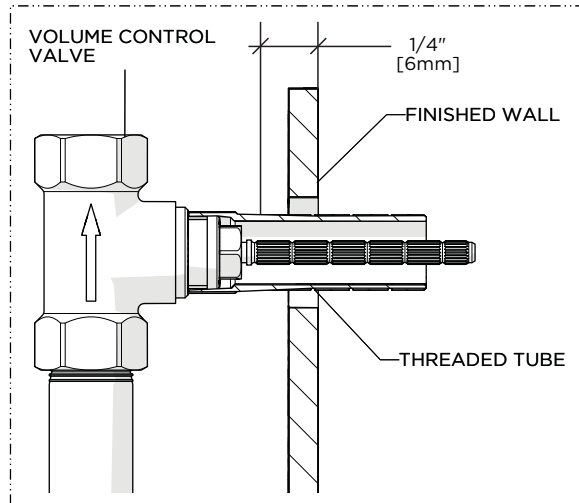
1. Thread the ALL THREAD TUBE onto the THERMOSTATIC CARTRIDGE then slide the BACK PLATE and TRIM PLATE over the TUBE.



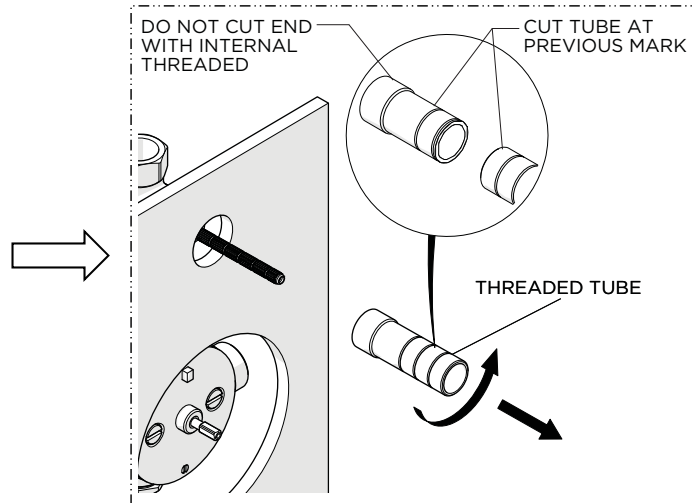
2. Firmly holding the PLATES against the wall, mark the TUBE 3/16" [5mm] beyond where it protrudes from the TRIM PLATE.



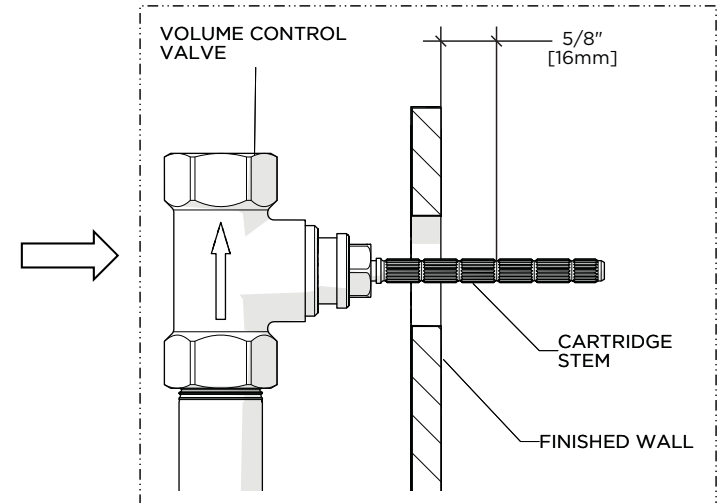
3. Remove the TRIM PLATE, BACK PLATE and TUBE then cut the TUBE at the previous mark. Do NOT cut the end with internal threads.



4. Mark the THREADED TUBE 1/4" [6mm] behind the finished wall.



5. Unthread the THREADED TUBE then cut the TUBE at the previous mark. Do NOT cut the end with the internal thread.



6. Mark the VOLUME CONTROL CARTRIDGE STEM 5/8" [16mm] behind where it protrudes from the finished wall.

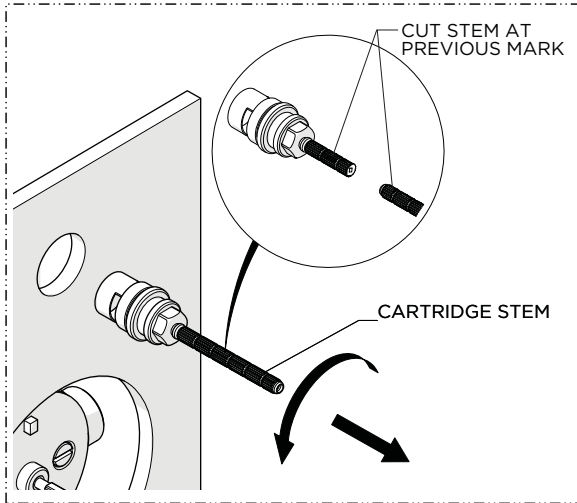
WATERWORKS

INSTALLATION GUIDELINES

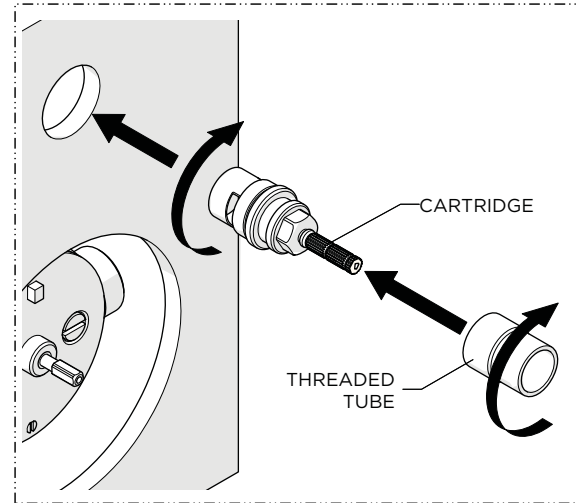
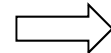


STYLE No. DSTH30

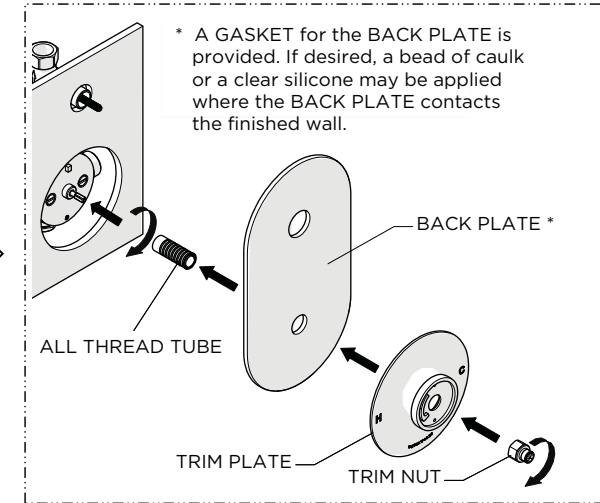
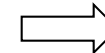
Dash Metal Lever Handle
Thermostatic with Metal Cross
Handle Shutoff Trim



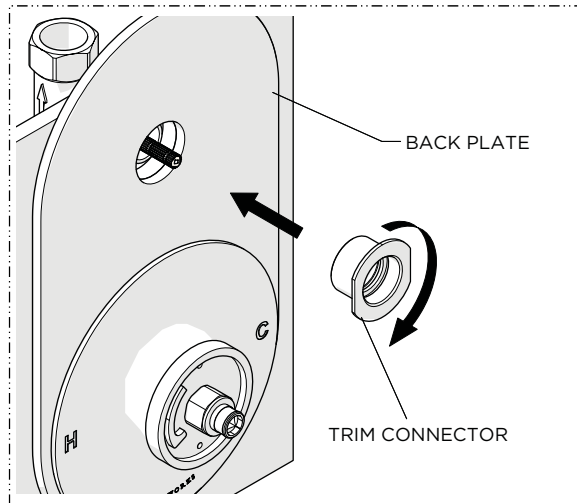
7. Remove the VOLUME CONTROL CARTRIDGE using a 21/32" [17mm] shower valve socket wrench (not provided) then cut the STEM at the previous mark.



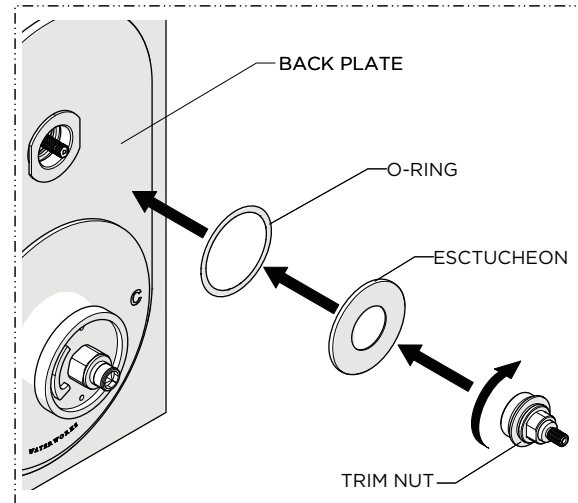
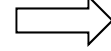
8. Thread and securely tighten the CARTRIDGE back into the VOLUME CONTROL VALVE then thread the TUBE back onto the CARTRIDGE.



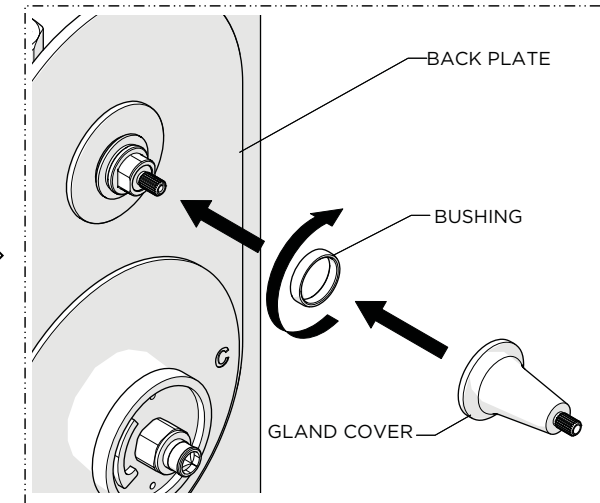
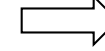
9. Thread the ALL THREAD TUBE back onto the THERMOSTATIC CARTRIDGE, slide the BACK and TRIM PLATES over the TUBE then thread and securely tighten the TRIM NUT onto the TUBE to hold the PLATES against the finished wall.



10. Thread and securely tighten the TRIM CONNECTOR onto the THREADED TUBE.



11. Hold the ESCUTCHEON against the BACK PLATE and thread the TRIM NUT into the TRIM CONNECTOR and securely tighten using a 5/8" [16mm] wrench.



12. Thread the PLASTIC BUSHING onto the TRIM NUT then place the GLAND COVER onto the TRIM NUT making sure it is fully seated.

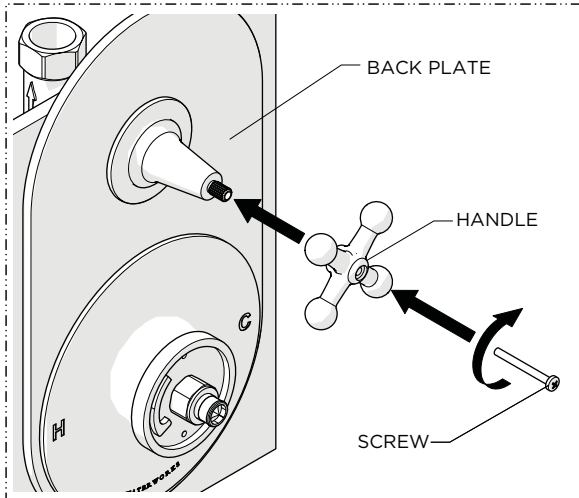
WATERWORKS

INSTALLATION GUIDELINES

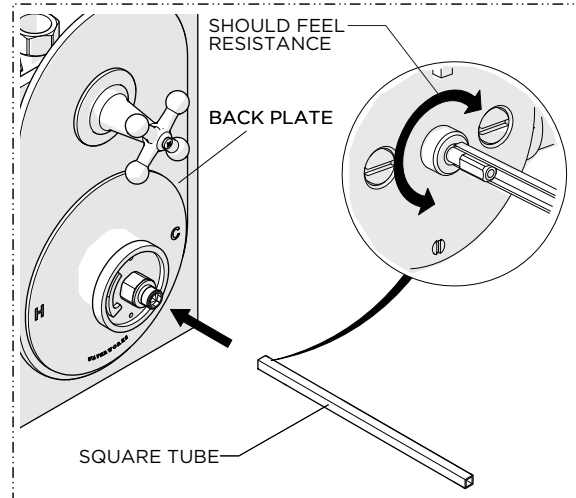


STYLE No. DSTH30

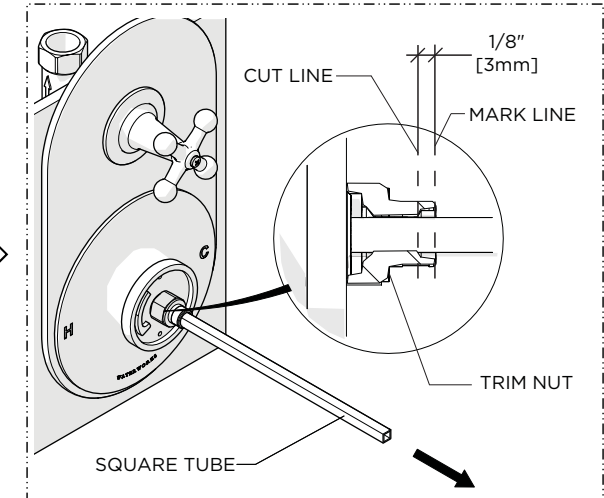
Dash Metal Lever Handle
Thermostatic with Metal Cross
Handle Shutoff Trim



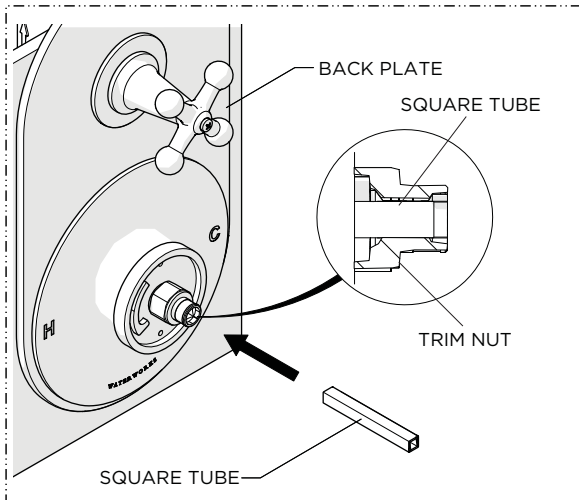
13. Place the HANDLE onto the GLAND COVER in the desired orientation then thread and securely tighten the SCREW.



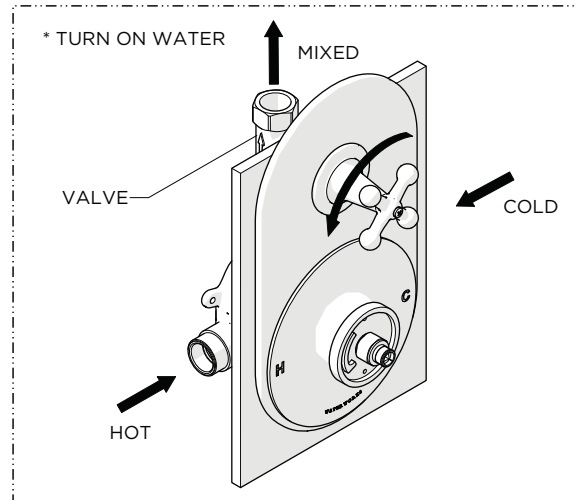
14. Insert the SQUARE TUBE into the TRIM NUT then, by feel, make sure it slides over the CARTRIDGE STEM and is fully seated.
NOTE: When seated properly, the TUBE will have rotational resistance.



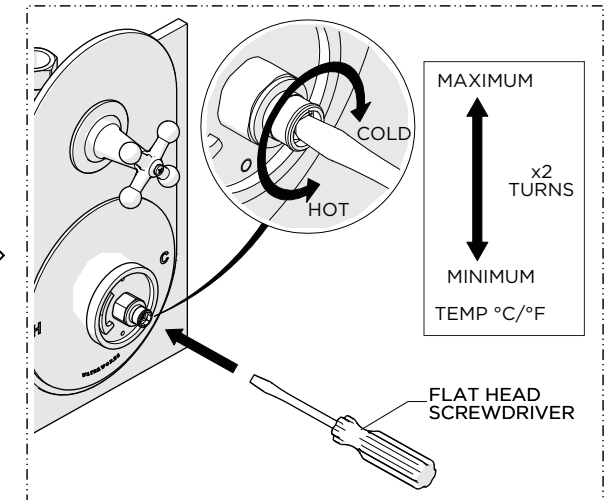
15. Mark the SQUARE TUBE where it passes through the front face of the TRIM NUT then remove and cut the TUBE 1/8" [3mm] behind the previous mark.



16. Re-insert the SQUARE TUBE back into the TRIM NUT making sure it is slight recessed.



17. Turn on the water supply and open the VOLUME CONTROL VALVE to run water through the THERMOSTATIC VALVE.



18. Insert a bladed screw driver into the SQUARE TUBE. Slowly rotate the TUBE clockwise to attain full cold then counterclockwise to attain full hot. It's approximately 2 complete rotations. Verify a full range of temperatures exists.

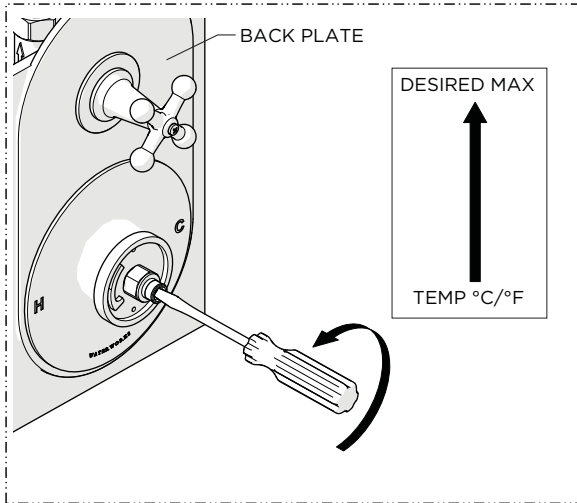
WATERWORKS

INSTALLATION GUIDELINES

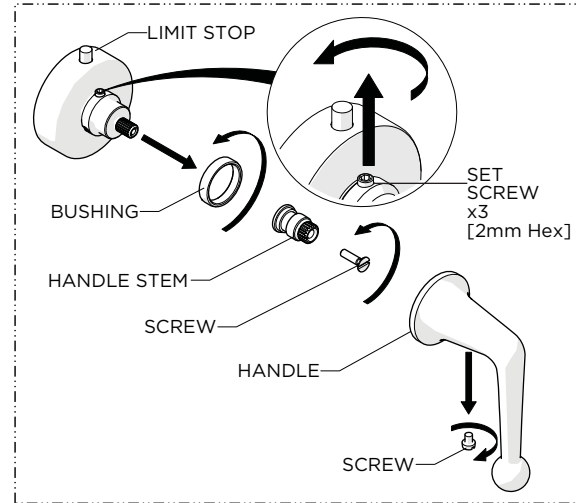


STYLE No. DSTH30

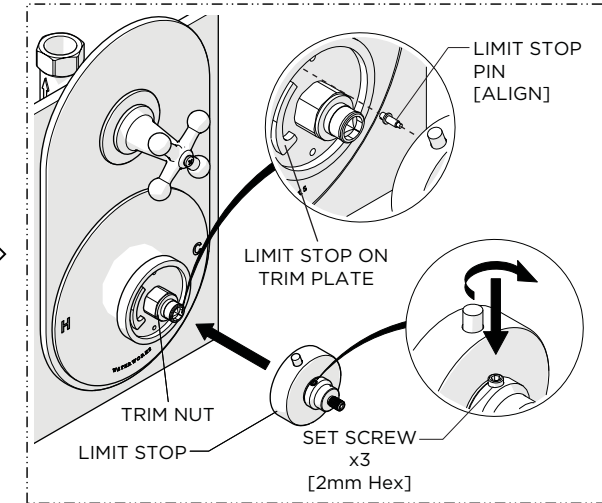
Dash Metal Lever Handle
Thermostatic with Metal Cross
Handle Shutoff Trim



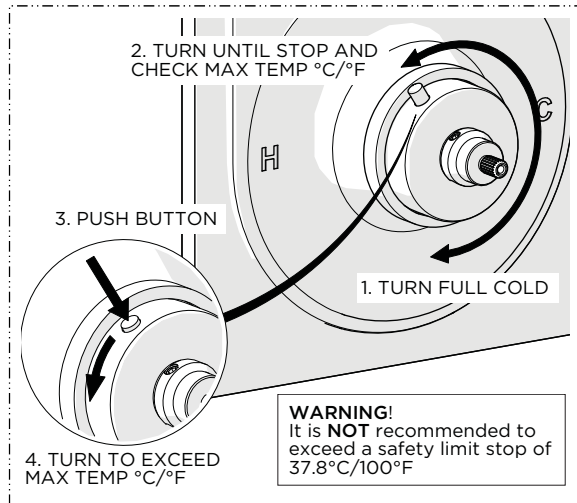
19. With water running, rotate the SQUARE TUBE to adjust the temperature to the maximum desired bathing temperature, verified with a thermometer. Turn the water off and make sure not to change this setting.



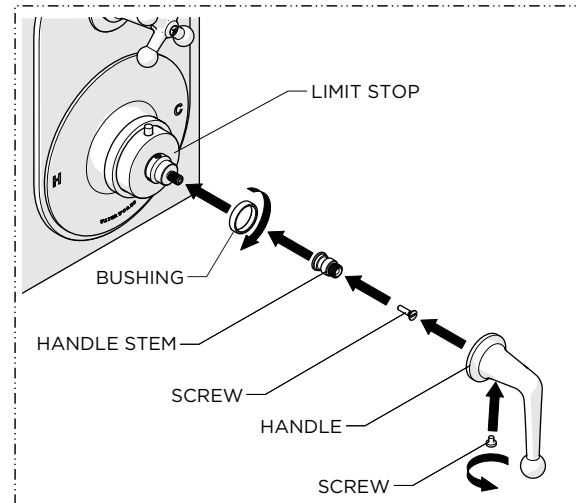
20. Loosen the FINISHED SCREW, remove the HANDLE, unthread the PLASTIC BUSHING to expose the SET SCREWS and loosen them using a 2mm hex key. It is **NOT** necessary to remove the HANDLE STEM.



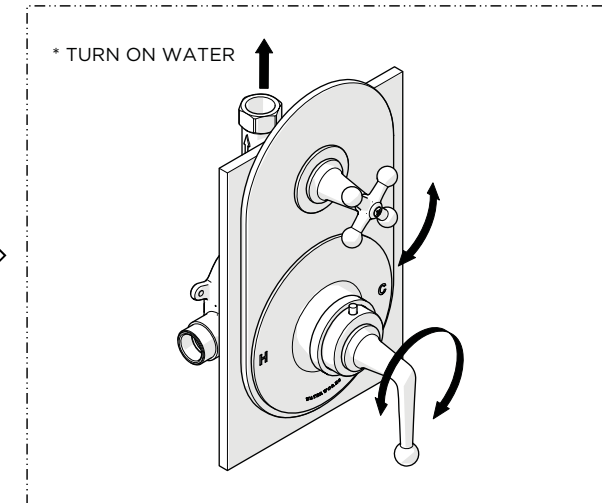
21. Place the LIMIT STOP over the TRIM NUT making sure the LIMIT STOP PIN makes contact with the LIMIT STOP on the TRIM PLATE then tighten the SET SCREWS.



22. Turn the LIMIT STOP to cold then hot and confirm it is functioning properly. Verify the maximum desired bathing temperature. To get a hotter temperature, press and hold the LIMIT STOP BUTTON and turn the LIMIT STOP further.



23. Thread the BUSHING back onto the LIMIT STOP, making sure the HANDLE STEM is securely attached to the LIMIT STOP, place the HANDLE onto the HANDLE STEM and over the BUSHING in the desired orientation, then thread and securely tighten the FINISHED SCREW.



24. Turn on the water supply and operate the HANDLE to ensure that it is functioning properly.