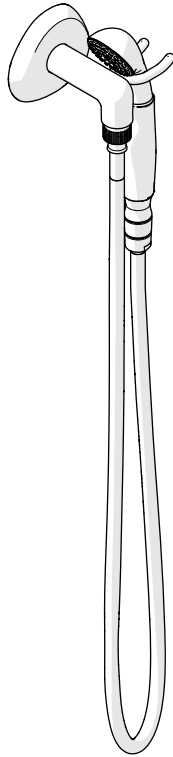


## Style No. ISHS05<sup>†</sup>



### SPECIFICATIONS:

Connection Type: 1/2" Female NPT  
Recommended Pressure: 45psi [3.1 bar]  
Restricted Maximum Flow Rate: 2.5gpm [3.8 L/min].  
For use with automatic compensating valves rated at 2.5gpm.

<sup>†</sup> UK Style No. **IS05HS** is supplied with 1 **BSP** adapter, assembly required.

### IMPORTANT:

- **A diverter or wall valve (sold separately) control on/off/volume and must be installed for each fitting that will have water flowing to it.**
- To ensure this product is installed properly, you must read and follow these guidelines.
- The owner/user of this product must keep this information for future reference.
- This product must be onsite prior to rough-in. This allows the installer to visualize the installation.
- This product must be installed by a professional licensed contractor. Be sure your installation conforms to federal state, and local codes. In the State of Massachusetts, all installations must comply with the rules and regulations set forth within 248 CMR.

- Inspect this product to ensure you have all the parts required for proper installation.
- Use only a strap wrench or protected/smooth-jaw wrench on any finished surface.
- The use of certain plumber's putty can stain stone or tile surfaces.

### ROUGH-IN:

1. Determine the ideal location for the HANDSHOWER and rough-in a well supported 1/2" NPT NIPPLE (not supplied). Ensure the front face of the NIPPLE is a 1/2" from the finished wall as shown in Figure - 01.

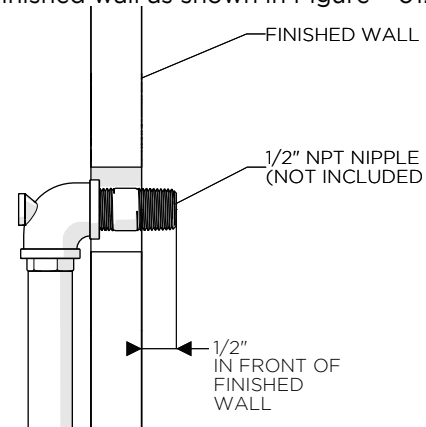


FIGURE - 01

### INSTALLATION:

2. Slide the ESCUTCHEON and RUBBER WASHER down the ELBOW then thread the ELBOW onto the NIPPLE and securely tighten. See Figure - 02.
- A CHECK VALVE is located on the outlet of the ELBOW.

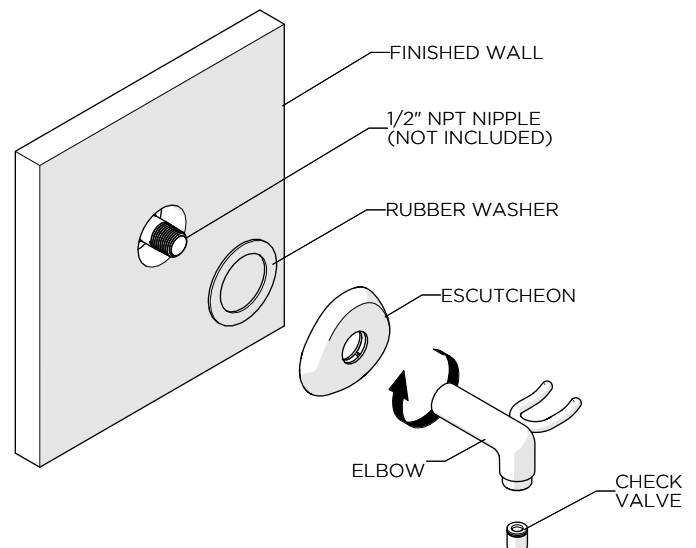
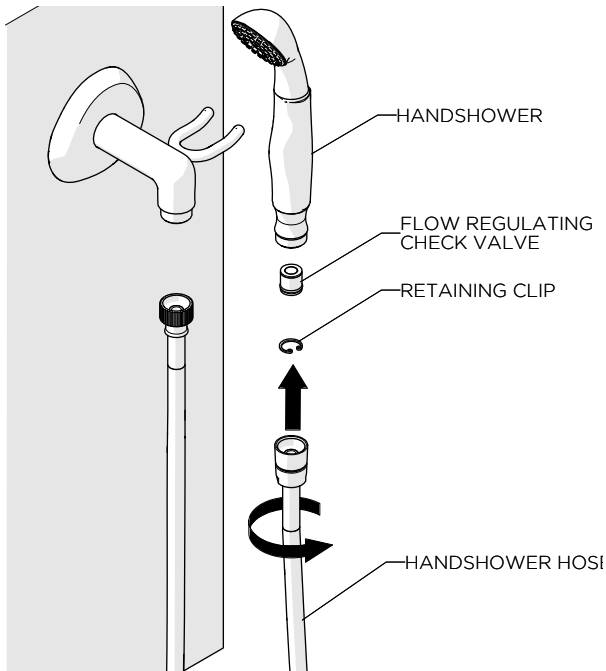


FIGURE - 02

These guidelines have been prepared for the professional contractor to aid in the installation of:  
**ISLA HANDSHOWER ON HOOK (STYLE# ISHS05, IS05HS)**  
All dimensions are based on original specification and are subject to change and variation.  
Please consult your Design Associate for current specifications.

W A T E R W O R K S

3. Connect the knurled end of the HOSE to the ELBOW.
  4. Turn on the water supply and a diverter or wall valve (sold separately) to flush out any debris in the supply line and inspect all connections for leaks then turn the water off.
  5. Slide the ESCUTCHEON up the ELBOW until it contacts the finished wall.
- NOTE: A RUBBER WASHER for the ESCUTCHEON is provided. If desired, a bead of caulk or a clear silicone may be applied where the ESCUTCHEON contacts the finished wall. The use of certain plumber's putty may stain stone or tile surfaces.
6. Connect the conical end of the HOSE to the HANDSHOWER and place the HANDSHOWER on the HOOK. See Figure - 03.
- A FLOW REGULATING CHECK VALVE is located in the inlet of the HANDSHOWER.



**FIGURE - 03**

- If further assistance is required, please contact Product Support at 1-800-927-2120 Monday through Friday, 8am-6pm EST.
- Refer to the separate Service Parts Document for available replacement parts.
- The BSP adapters can be ordered separately:
- Universal 1/2" NPT Male x 1/2" BSP 50mm Long Male Nipple Adapter  
**STYLE No. UNUK04**

These guidelines have been prepared for the professional contractor to aid in the installation of:  
ISLA HANDSHOWER ON HOOK (STYLE# ISHS05, IS05HS)  
All dimensions are based on original specification and are subject to change and variation.  
Please consult your Design Associate for current specifications.

W A T E R W O R K S