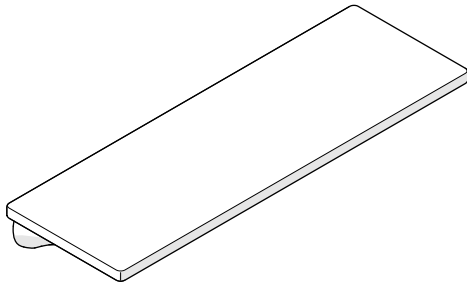


Style No. ISSF18



SPECIFICATIONS:

Adjustable Shelves: No

IMPORTANT:

- To ensure this product is installed properly, you must read and follow these guidelines.
- The owner/user of this product must keep this information for future reference.
- This product must be installed by a professional licensed contractor.
- Inspect this product to ensure you have all the parts required for proper installation. Use only a strap wrench or protected/smooth-jaw wrench on any finished surface.

INSTALLATION:

- Wood blocking is recommended to ensure adequate support.
 - See Figure - 01, 02 and 03 for Steps 1 - 6.
1. Determine the ideal location for this SHELF and ensure there is adequate wood blocking for support.
 2. Install the MOUNTING PLATES using the 6mm ANCHORS and SCREWS provided and ensure the PLATES are 15" [381mm] apart, on-center.
 3. Attach each SHELF POST making sure to securely tighten the SET SCREWS using a 2mm HEX KEY.
 4. Ensure the SHELF POSTS are secured, level and 15" a part on-center.
 5. Attach a strip of double sided ACRYLIC FOAM TAPE to each SHELF POST.
 6. Place the SHELF on top of the POSTS and ensure that it adheres properly.
- If further assistance is required, please contact Product Support at 1-800-927-2120 Monday through Friday, 8am - 6pm EST.
 - Refer to the separate Service Parts Documents for available replacement parts.

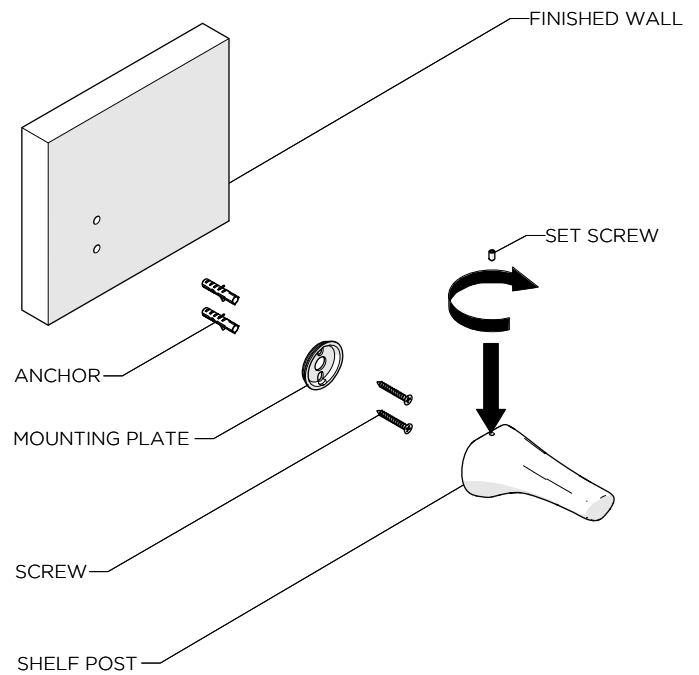


FIGURE - 01

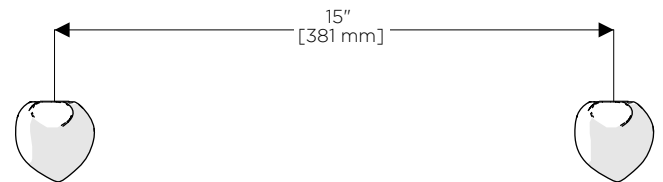


FIGURE - 02

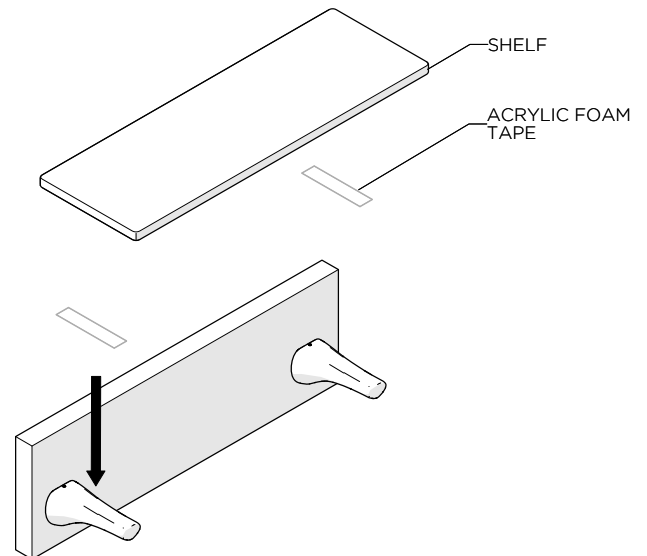


FIGURE - 03

These guidelines have been prepared for the professional contractor to aid in the installation of:
ISLA 18" STONE SHELF (STYLE No. ISSF18).
All dimensions are based on original specification and are subject to change and variation.
Please consult your Design Associate for current specifications.

WATERWORKS