

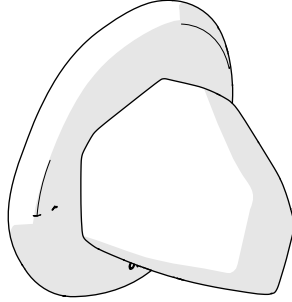
**Style No. IS2T01**

Two Way Diverter Valve Trim for Thermostatic System with Metal Petra Handle



**Style No. IS2T05**

Two Way Diverter Valve Trim for Thermostatic System with Metal Geode Handle



**SPECIFICATIONS:**

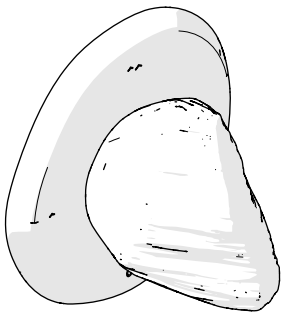
Control Valve Rough-in Depth Maximum: 3-3/8" [85.7mm]  
Control Valve Rough-in Depth Minimum: 3" [76mm]  
Fitting Hole Diameter: Ø2-1/2" [Ø63.5mm]

**REQUIRED PLUMBING DETAILS:**

Universal Two Way Diverter with Shutoff Valve  
**STYLE No. GUDV14 (SOLD SEPARATELY)**

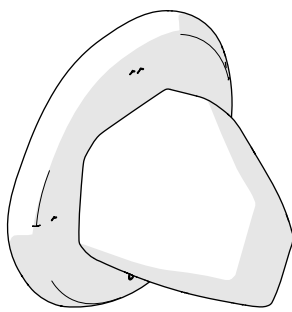
**Style No. IS3T01**

Three Way Diverter Valve Trim for Thermostatic System with Metal Petra Handle



**Style No. IS3T05**

Three Way Diverter Valve Trim for Thermostatic System with Metal Geode Handle



**SPECIFICATIONS:**

Control Valve Rough-in Depth Maximum: 3-3/8" [85.7mm]  
Control Valve Rough-in Depth Minimum: 3" [76mm]  
Fitting Hole Diameter: Ø2-1/2" [Ø63.5mm]

**REQUIRED PLUMBING DETAILS:**

Universal Three Way Diverter with Shutoff Valve  
**STYLE No. GUDV66 (SOLD SEPARATELY)**

**IMPORTANT:**

- To ensure this product is installed properly, you must read and follow these guidelines.
- The owner/user of this product must keep this

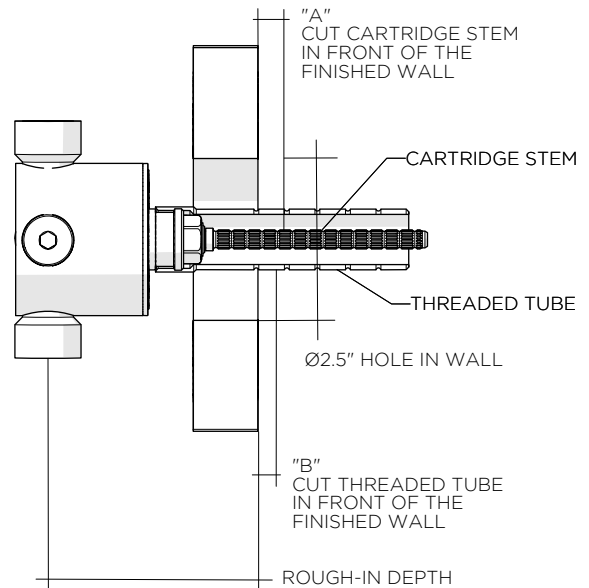
information for future reference.

- This product must be installed with a Two or Three Way Diverter Valve (SOLD SEPARATELY). Please refer to the specific valve installation guidelines for rough-in requirements.
- This product must be installed by a professional licensed contractor.
- Be sure your installation conforms to federal state, and local codes. In the State of Massachusetts, all installations must comply with the rules and regulations set forth within 248 CMR.
- This product must be onsite prior to rough-in, this allows the installer to visualize the installation.
- Inspect this product to ensure you have all the parts required for proper installation.
- Use only a strap wrench or protected/smooth-jaw wrench on any finished surface.
- The use of certain plumber's putty may stain stone or tile surfaces.

**DIVERTER VALVE INSTALLATION:**

- **WARNING:** If the VALVE is roughed in too shallow, the TRIM cannot be installed correctly.
- See Figure - 01 for steps 1 - 3.

Dimension	Value (inches)
A	1/2"
B	3/16"



**FIGURE - 01**

1. Pull the tile guard off the THREADED TUBE on the

These guidelines have been prepared for the professional contractor to aid in the installation of: ISLA DIVERTER TRIM PLATES for THERMOSTATIC SYSTEMS (STYLE# SEE ABOVE) All dimensions are based on original specification and are subject to change and variation. Please consult your Design Associate for current specifications.

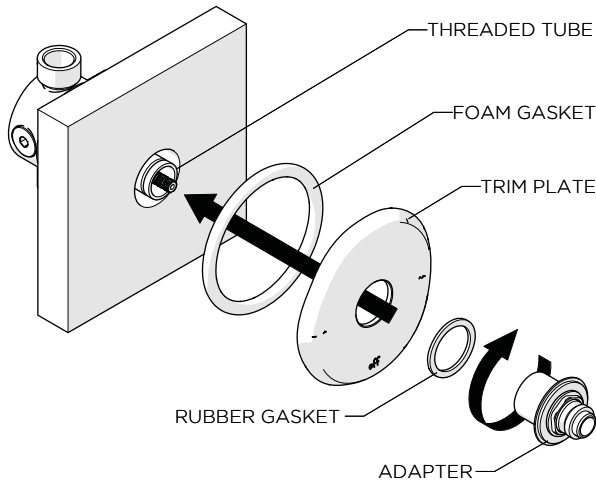
W A T E R W O R K S

diverter valve rough. Mark the **THREADED TUBE** at the finished wall. Unthread the **TUBE** and cut  $3/16''$  (**DISTANCE A**) in front of the mark.

2. Cut the **CARTRIDGE STEM**  $1/2''$  (**DISTANCE B**) in front of the finished wall.
3. After the cuts have been made, thread the **THREADED TUBE** back onto valve body.

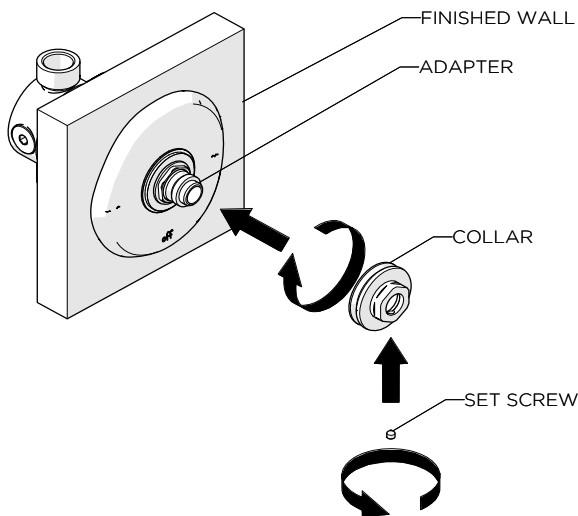
### TRIM PLATE INSTALLATION:

4. Place **TRIM PLATE** over the modified diverter valve components and hold to finished wall, making sure **FOAM GASKET** is behind it, and then thread **ADAPTER** onto **THREADED TUBE** using 24mm wrench, making sure **RUBBER GASKET** is behind, as shown in Figure-02.



**FIGURE - 02**

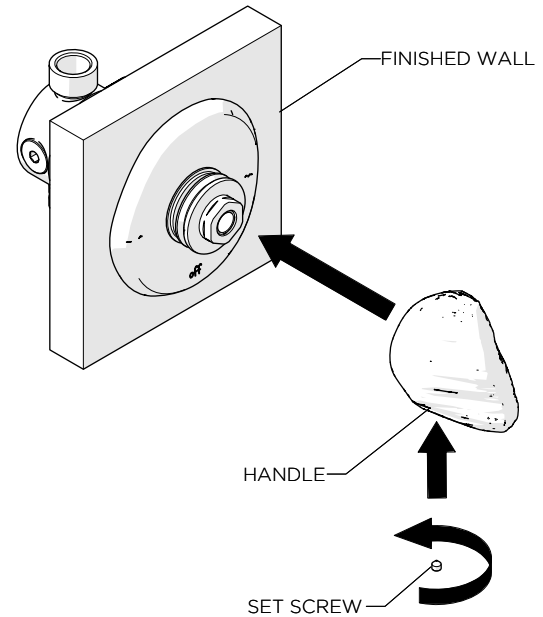
5. Thread **COLLAR** onto the **ADAPTER** and securely tighten the **SET SCREW** using a 2.5mm HEX KEY. See Figure - 03.



**FIGURE - 03**

6. Place the **HANDLE** over the **COLLAR** in the desired

orientation and securely tighten the **SET SCREW** using a 2.5mm **HEX KEY**. See Figure - 04.



**FIGURE - 04**

- If further assistance is required, please contact Product Support at 1-800-927-2120 Monday through Friday, 8am - 6pm EST.
- Refer to the separate Service Parts Documents for available replacement parts.

These guidelines have been prepared for the professional contractor to aid in the installation of: **ISLA DIVERTER TRIM PLATES for THERMOSTATIC SYSTEMS (STYLE# SEE ABOVE)** All dimensions are based on original specification and are subject to change and variation. Please consult your Design Associate for current specifications.

W A T E R W O R K S