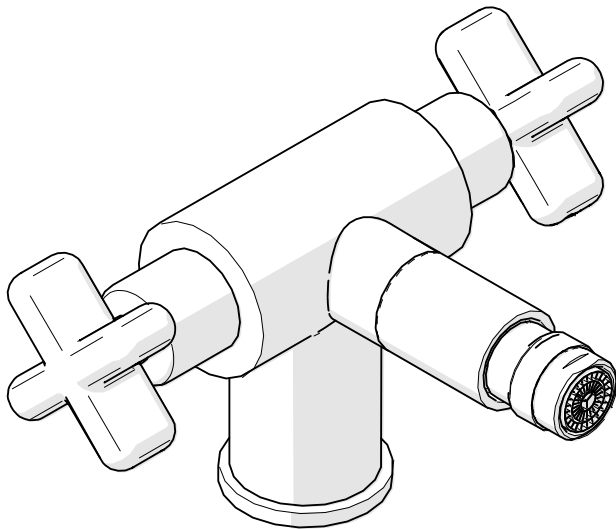


.25

One Hole Bidet fittings with Cross Handle

# INSTALLATION GUIDELINES

Style No. PTBF01



### SPECIFICATIONS:

Drain Depth: 1-1/2" MIN - 1-3/4" MAX  
 Drain Hole Diameter: 1-3/4"  
 Drain Style: European Style Modern Push Touch  
 Fitting Hole Diameter: 1-3/8"  
 Inlet Connection Size: 3/8"  
 Inlet Connection Type: Compression Connection Hoses  
 Deck Thickness: 1/4" MIN - 2" MAX  
 Water Pressure: 20 psi MIN - 80 psi MAX  
 Recommended Water Pressure: 45 psi

+ UK Style No. **PT01BF** are supplied with 2 **BSP** adapters, assembly required.

### IMPORTANT:

- To ensure this product is installed properly, you must read and follow these guidelines. The owner/user of this product must keep this information for future reference.
- Be sure your installation conforms to federal, state, and local codes. In the State of Massachusetts, all installations must comply with the rules and regulations set forth within 248 CMR.
- This product must be installed by a professional licensed contractor.
- Inspect this product to ensure you have all the parts required for proper installation.
- Use only a strap wrench or protected/smooth-jaw wrench on any finished surface.
- The use of certain plumber's putty may stain stone or tile surfaces.

### SPOUT INSTALLATION:

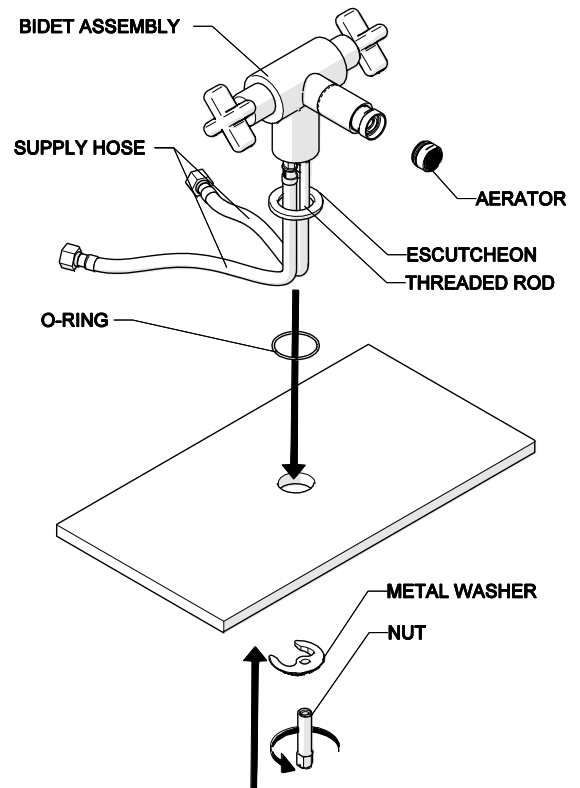


FIGURE - 01

- See Figure 1. for Steps 1-3.
1. Remove the NUT & METAL WASHER from the bottom of the THREADED ROD.
  2. Insert the BIDET ASSEMBLY with the SUPPLY HOSES & THREADED ROD through the hole on the mounting surface making sure the O-RING is underneath the ESCUTCHEON.
  3. Re-install the METAL WASHER & NUT (in that order). Tighten the NUT to secure the spout.

### DRAIN INSTALLATION:

- See Figure 2 for steps 4 - 7.
4. Remove the DRAIN FLANGE from LOWER DRAIN BODY and remove the RUBBER GASKET.
  5. Set the DRAIN FLANGE in the drain hole using putty or a clear adhesive silicone depending on the mounting surface material.\*
  6. Making sure the RUBBER GASKET and PLASTIC WASHER are on the LOWER DRAIN BODY, thread the LOWER DRAIN BODY onto the DRAIN FLANGE. Securely tighten the LOWER DRAIN BODY, making

These guidelines have been prepared for the professional contractor to aid in the installation of:  
 .25 ONE HOLE BIDET FITTING [STYLE No. PTBF01, PT01BF (UK)]  
 All dimensions are based on original specification and are subject to change and variation.  
 Please consult your Design Associate for current specifications.

# WATERWORKS

sure the RUBBER GASKET makes a full seal on the underside of the lavatory. Putty or a clear adhesive silicone may be used to ensure a water tight seal between the RUBBER GASKET and lavatory.\*

- 7. Attach the TAILPIECE to the LOWER DRAIN BODY using the DRAIN NUT, making sure the RUBBER WASHER is in between the LOWER DRAIN BODY and TAILPIECE.

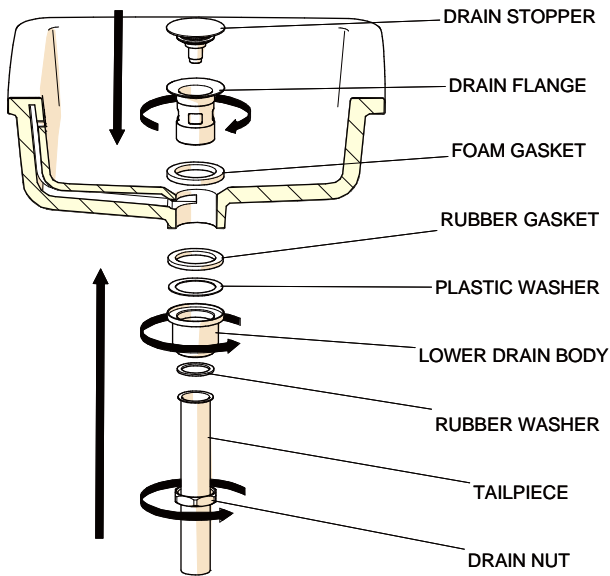


FIGURE - 02

**INSPECT THE INSTALLATION:**

- 8. Remove the AERATOR by unthreading it, then carefully open the hot and cold valves to flush out any debris in the supply lines. See Figure 1.
- 9. Inspect all connections for leaks.
- 10. Close the drain and fill the sink with water to make sure the drain stopper and gasket operates and seals properly.
- 11. Re-install the aerator.

**SERVICE THE CARTRIDGE:**

- See Figure 3 for step 12.
- 12. Remove the SET SCREW from the HANDLE. Unthread the SCREW, and remove the HANDLE ADAPTER and then unthread the GLAND COVER to access the cartridge.

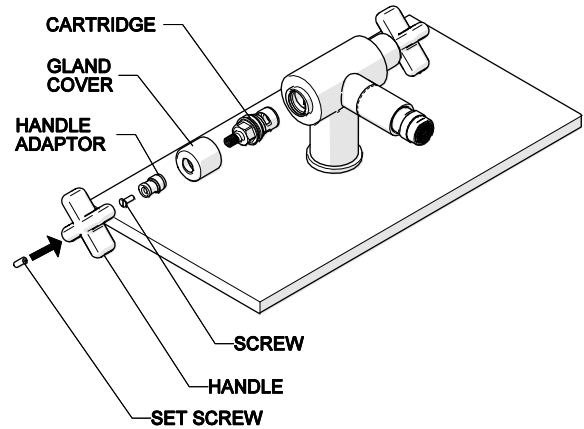


FIGURE - 03

- If further assistance is required, please contact Product Support at 1-800-927-2120 (8am-6pm EST).
- See service part document for parts ordering, available on WATERWORKS.COM.
- \* Putty contains oils and can cause permanent discoloration on certain materials such as marble, granite and any porous surface.

These guidelines have been prepared for the professional contractor to aid in the installation of:  
 .25 ONE HOLE BIDET FITTING [STYLE No. PTBF01, PT01BF (UK)]  
 All dimensions are based on original specification and are subject to change and variation.  
 Please consult your Design Associate for current specifications.