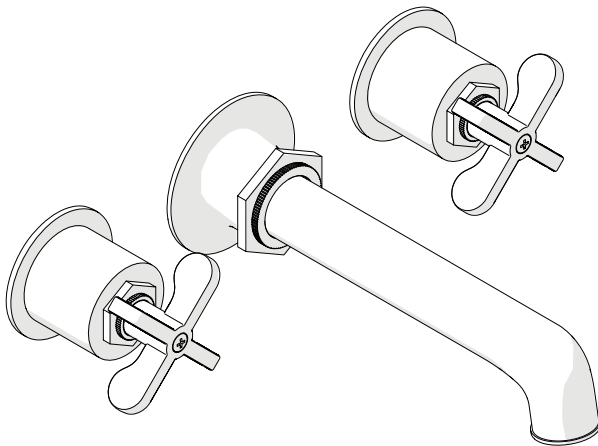
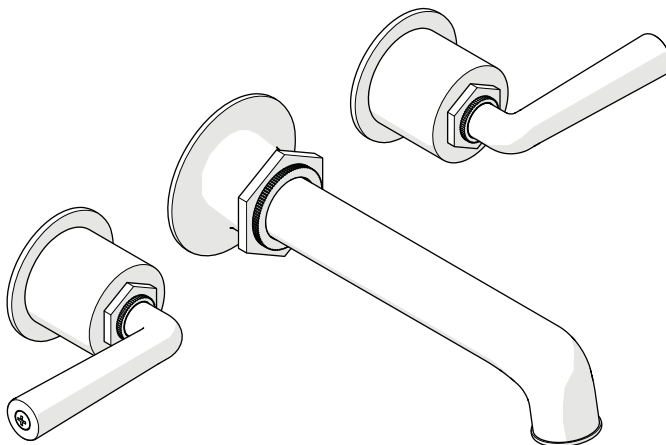


**STYLE No.** HNLS60<sup>†</sup>  
with Metal Cross Handles



**STYLE No.** HNLS70<sup>†</sup>  
with Metal Lever Handles



**SPECIFICATIONS:**

Control Valve Rough-in Depth Minimum: 2" [51mm]  
Control Valve Rough-in Depth Maximum: 4-1/8" [105mm]  
Drain Depth Minimum: 3/8" [10mm]  
Drain Depth Maximum: 2-5/8" [67mm]  
Drain Hole Diameter: Ø1-3/4" [44mm]  
Drain Style: Push Touch (Drain Included)  
Fittings Hole Diameter: Ø1-3/8" [35mm]  
Handle Spread: 8" [203mm] (NOT ADJUSTABLE)  
Inlet Connection: 1/2" Female NPT<sup>†</sup>  
Restricted Maximum Flow Rate: 2.2gpm [8.3L/min]  
Water Pressure Minimum: 20psi [1.5 bar]  
Water Pressure Maximum: 85psi [6.0 bar]  
Water Pressure Recommended: 45psi [3.0 bar]

<sup>†</sup> UK Style No. **HN60LS** and **HN70LS** are supplied with a **BSP** adapter, assembly required.

**REQUIRED PLUMBING DETAILS:**

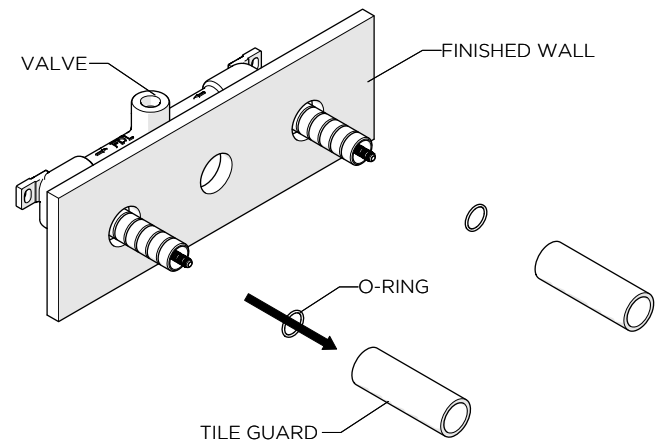
Universal Lavatory Wall Mounted Rough Valve  
**STYLE No.** GULV25 (used with Lever Handle Faucets)  
**STYLE No.** GULV27 (used with Knob Handle Faucets)

**IMPORTANT:**

- To ensure this product is installed properly, you must read and follow these guidelines.
- The owner/user of this product must keep this information for future reference.
- This product must be installed by a professional licensed contractor.
- Be sure your installation conforms to all federal, state, and local codes. In the State of Massachusetts, all installations must comply with the rules and regulations set forth within 248 CMR.
- This product must be on-site prior to rough-in. This allows the installer to visualize the installation and verify the 8" center spread.
- Refer to the specification and assembly drawings attached. Product is sold partially assembled but shown fully disassembled for illustrative and service purposes only.
- Inspect the product to ensure you have all the parts required for proper installation. Use only a strap wrench or protected/smooth-jaw wrench on any finished surface.
- DO NOT use putty. Putty contains oil and can cause permanent discoloration on certain materials such as marble, granite and any porous surface.

**TRIM INSTALLATION:**

1. Remove the tile guards and the o-rings from the valve as shown in Figure - 01.

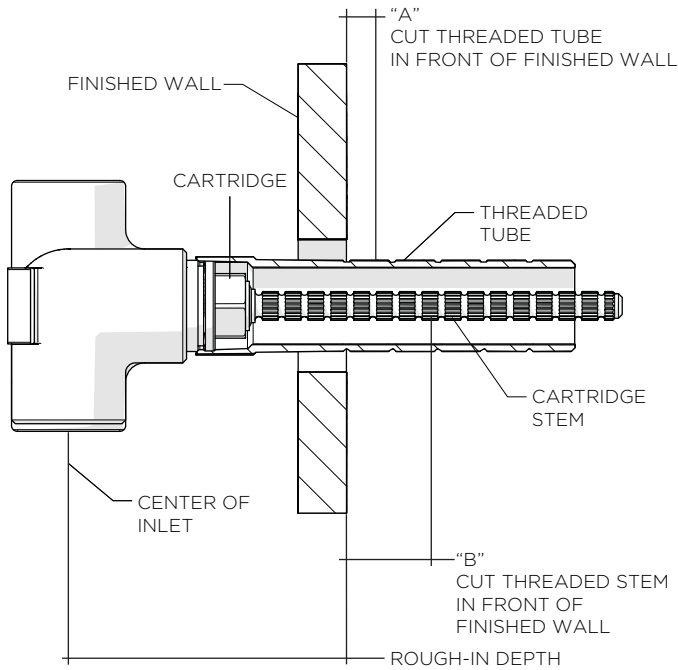


**FIGURE - 01**

These guidelines have been prepared for the professional contractor to aid in the installation of:  
**HENRY WALL MOUNTED LAVATORY FAUCET WITH METAL CROSS HANDLES (STYLE No. HNLS60, HN60LS) & HENRY WALL MOUNTED LAVATORY FAUCET WITH METAL LEVER HANDLES (STYLE No. HNLS70, HN70LS)**  
All dimensions are based on original specification and are subject to change and variation.  
Please consult your Design Associate for current specifications.

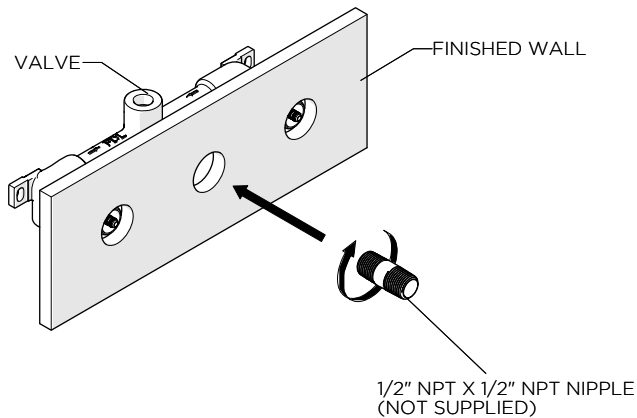
➤ See Figure - 02 for Steps 2 - 3

DIMENSION	VALUE (INCHES)
A	5/8"
B	1-7/16"



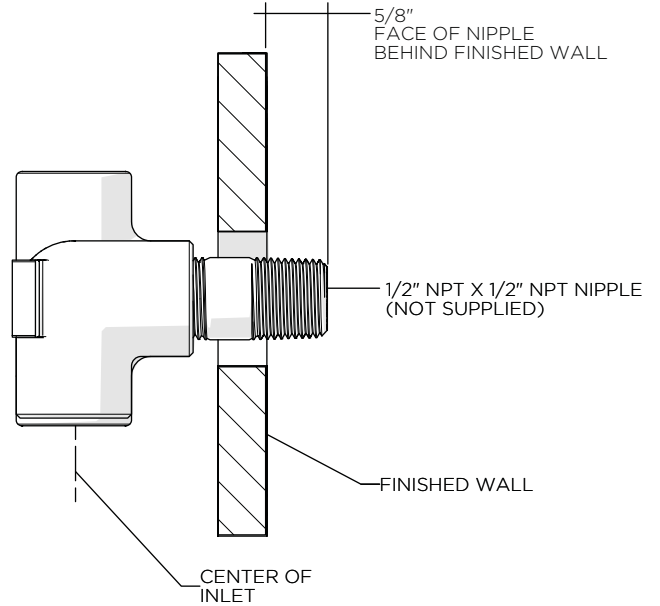
**FIGURE - 02**

2. Mark the threaded tube then remove and cut the threaded tube.
3. Mark the cartridge stem then remove the cartridge and cut the cartridge stem.
4. Thread and securely tighten the cartridge and threaded tube back onto the valve.
5. Thread a 1/2" NPT x 1/2" NPT nipple (not included) into the spout outlet of the valve. See Figure - 03.



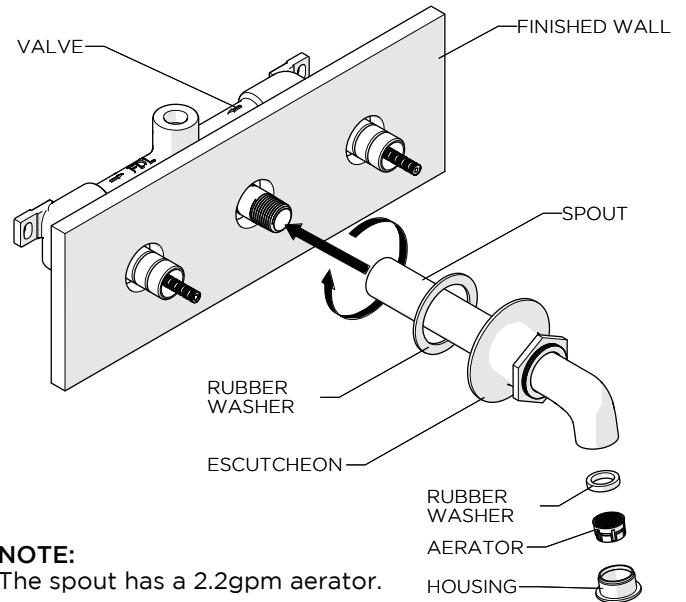
**FIGURE - 03**

6. Ensure the front face of the nipple is 5/8" from the finished wall as shown in Figure - 04.



**FIGURE - 04**

7. Slide the escutcheon up the spout then thread the spout onto the nipple. Make sure the white rubber washer is behind the escutcheon. See Figure - 05.

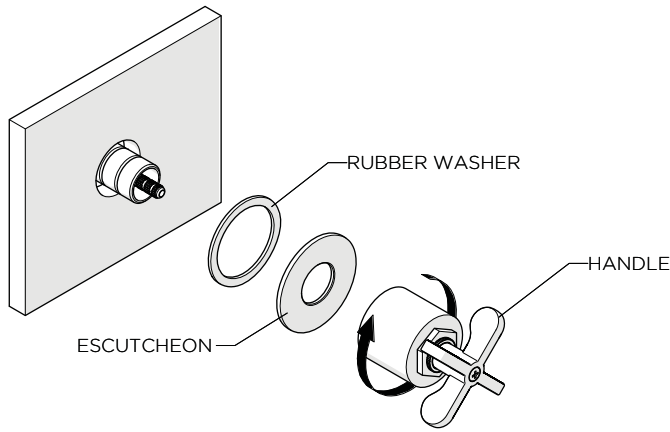


**FIGURE - 05**

8. Place the white rubber washer and escutcheon over the threaded tube. Holding the escutcheon against the finished wall, thread the handle assembly onto the threaded tube. Make sure the handle is in the correct orientation and securely tighten. See Figure - 06.

These guidelines have been prepared for the professional contractor to aid in the installation of:  
HENRY WALL MOUNTED LAVATORY FAUCET WITH METAL CROSS HANDLES (STYLE No. HNLS60, HN60LS) &  
HENRY WALL MOUNTED LAVATORY FAUCET WITH METAL LEVER HANDLES (STYLE No. HNLS70, HN70LS)  
All dimensions are based on original specification and are subject to change and variation.  
Please consult your Design Associate for current specifications.

WATERWORKS

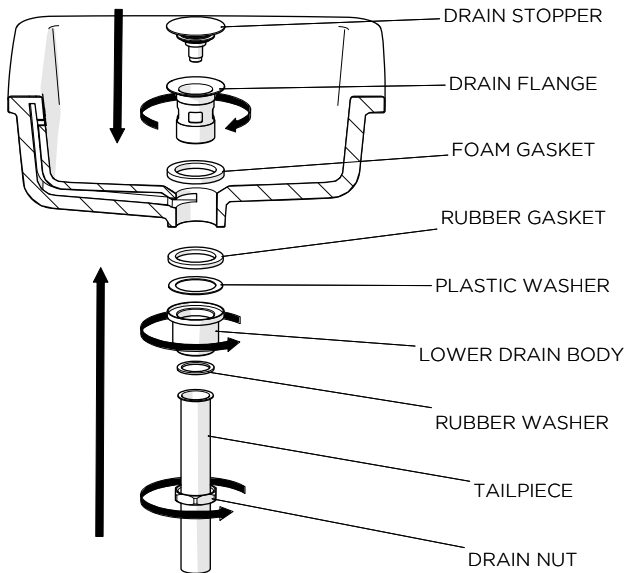


**FIGURE - 06**

9. Repeat Step 8 for the second handle.

**DRAIN INSTALLATION:**

➤ See Figure - 07 for Steps 10 - 14.



**FIGURE - 07**

10. Remove the drain flange, rubber gasket, and plastic washer from lower drain body.
11. Set the drain flange using putty or a clear adhesive silicone depending on the mounting surface material.\*
12. Thread the lower drain body onto the flange, making sure to use the rubber gasket and plastic washer.
13. Ensure the rubber gasket makes a full seal on the underside of the lavatory and securely tighten the lower drain body. Putty or a clear adhesive silicone may be used to ensure a water tight seal between the rubber gasket and lavatory.\*

14. Attach the tailpiece to the lower drain body using the drain nut, making sure the rubber washer is in between the lower drain body and tailpiece.

15. Connect the tailpiece to the p-trap (sold separately).

**FINISH & INSPECT THE INSTALLATION:**

16. Remove the aerator then turn on the water supply to flush out any debris in the supply lines. Operate the handles to ensure they are functioning properly.

17. Inspect all connections for leaks.

18. Close the drain and fill the lavatory with water to make sure the drain stopper and gasket operate and seal properly.

19. Re-install the aerator.

➤ If further assistance is required, please contact Product Support at 1-800-927-2120 Monday through Friday, 8am-6pm EST.

➤ Refer to the separate Service Parts Document for available replacement parts.

➤ The BSP adapters can be ordered separately:

- Universal 1/2" NPT Male x 1/2" BSP 50mm Long Male Nipple Adapter  
**STYLE No. UNUK04**

\* Putty contains oil and can cause permanent discoloration on certain materials such as marble, granite and any porous surface.

These guidelines have been prepared for the professional contractor to aid in the installation of:  
HENRY WALL MOUNTED LAVATORY FAUCET WITH METAL CROSS HANDLES (STYLE No. HNLS60, HN60LS) &  
HENRY WALL MOUNTED LAVATORY FAUCET WITH METAL LEVER HANDLES (STYLE No. HNLS70, HN70LS)  
All dimensions are based on original specification and are subject to change and variation.  
Please consult your Design Associate for current specifications.