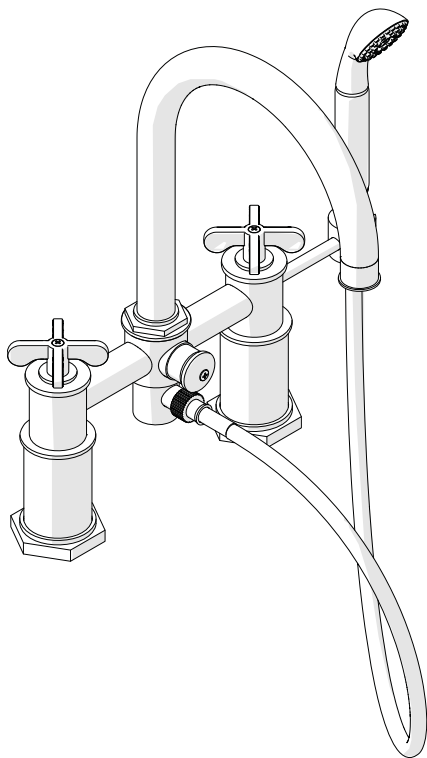
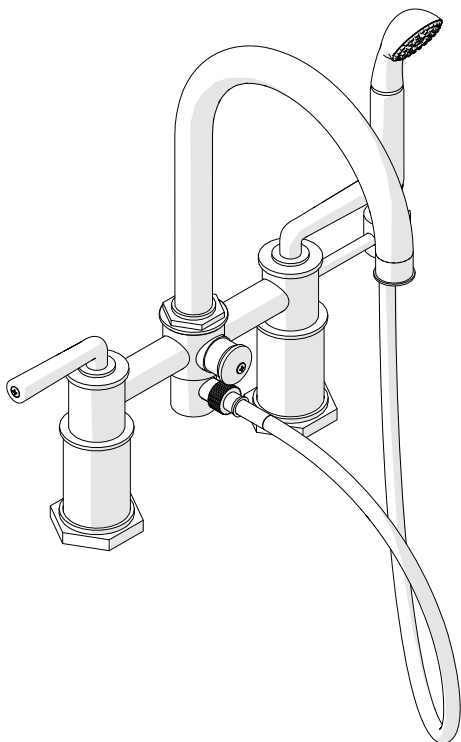


**STYLE No.** HNXT40<sup>†</sup>  
with Cross Handles  
**CODE No.** HNTU40



**STYLE No.** HNXT50<sup>†</sup>  
with Lever Handles



## SPECIFICATIONS:

Fittings Hole Diameter: Ø1-1/8" [29mm]  
Handshower Hose Length: 59" [1.5m]  
Inlet Connection: 3/4" Male NPT<sup>†</sup>  
Inlet Supply Spread: 8" [203mm] (NOT ADJUSTABLE)  
Integrated Diverter: Yes  
Restricted Max Flow Rate (Handshower Only): 2.5gpm [9.5L/min]  
Spout Reach: 8-5/16" [211mm]  
Water Pressure Minimum: 20psi [1.5 bar]  
Water Pressure Maximum: 85psi [6.0 bar]  
Water Pressure Recommended: 45psi [3.0 bar]

<sup>†</sup> UK Style No. **HN40XT** and **HN50XT** are supplied with 2 **BSP** adapters, assembly required.

## IMPORTANT:

- To ensure this product is installed properly, you must read and follow these guidelines.
- The owner/user of this product must keep this information for future reference.
- Be sure your installation conforms to all federal, state, and local codes. Anti-scald protection is the responsibility of the installer and according to applicable codes.
- In the State of Massachusetts, all installations must comply with the rules and regulations set forth within 248 CMR.
- This product must be installed by a professional licensed contractor.
- Product should be on-site prior to rough-in. This allows the installer to visualize the installation and verify the center spread.
- Refer to the specification and assembly drawings attached. Product is sold partially assembled but shown fully disassembled for illustrative and service purposes only.
- An access panel must be installed for servicing and installation.
- Check tub measurements to assure the spout projects far enough into the tub.
- Inspect this product to ensure you have all parts required for proper installation. Do NOT use putty during this installation.
- Use only a strap wrench or protected/smooth-jaw wrench on any finished surface.
- Run 3/4" supply lines for maximum flow.
- Install accessible hot and cold service stop valves to facilitate servicing.

These guidelines have been prepared for the professional contractor to aid in the installation of:  
HENRY EXPOSED DECK MOUNTED TUB FILLER WITH HANDSHOWER AND METAL CROSS HANDLES (STYLE No. HNXT40, HN40XT) & HENRY EXPOSED DECK MOUNTED TUB FILLER WITH HANDSHOWER AND METAL LEVER HANDLES (STYLE No. HNXT50, HN50XT)  
All dimensions are based on original specification and are subject to change and variation.  
Please consult your Design Associate for current specifications.

# WATERWORKS

## ROUGH-IN:

1. Run well supported 3/4" hot and cold copper supply lines for maximum water flow. The inlet supply spread is 8" on-center and is not adjustable. 1-1/8" drilling for the mounting holes is recommended.

## TUB FILLER INSTALLATION:

- Refer to Figure - 01 for Steps 2 - 6
2. Align the spout properly and securely tighten the set screw. The spout should not swivel when properly installed.
  3. Remove the 3/4" NPT adapter, the washer inside the adapter, and mounting hardware from each shank.

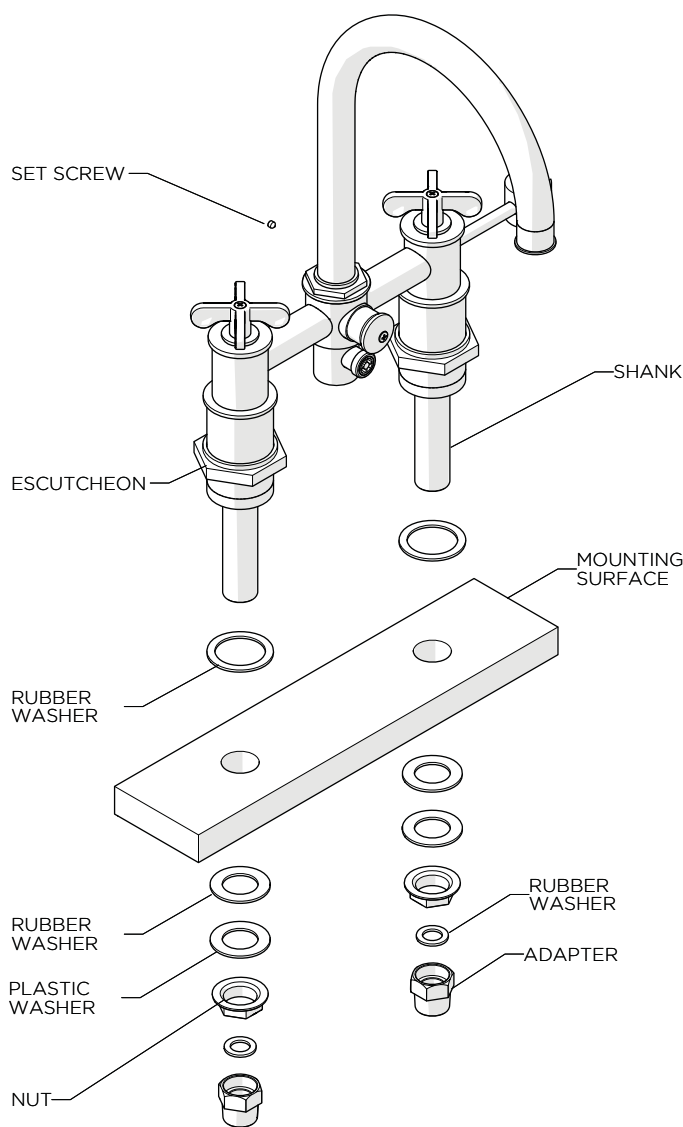


FIGURE - 01

4. Slide the escutcheons up then insert the shanks into the fittings holes on the mounting surface, making sure the white rubber washers are between the tub filler and the mounting surface.
5. Reinstall the mounting hardware onto each shank.
6. Apply pipe thread compound to each shank then thread the adapters onto the shanks using the rubber washers provided.
7. Apply pipe thread compound onto the male end of the adapters then thread them into 3/4" female NPT x sweat adapters (NOT SUPPLIED).
8. Adjust the supply line lengths as needed and complete final connections.
9. Tighten the nuts to secure the tub filler to the mounting surface then slide the escutcheons down until they contact the mounting surface.

## HANDSHOWER INSTALLATION:

11. Connect the conical end of the hose to the handshower. NOTE: A flow restricting check valve is located in the inlet of the handshower.
12. Connect the hex end of the hose to the port on the bottom of the valve body. NOTE: A check valve is located in the port.

## INSPECT THE INSTALLATION:

13. Turn on the supplies then open the hot and cold valves to flush out any debris in the supply lines before diverting to the handshower. To divert to the handshower pull the knob.
  14. Carefully inspect all connections for leaks and check for proper operation.
- If further assistance is required, please contact Product Support at 1-800-927-2120 Monday through Friday, 8am - 6pm EST.

These guidelines have been prepared for the professional contractor to aid in the installation of: HENRY EXPOSED DECK MOUNTED TUB FILLER WITH HANDSHOWER AND METAL CROSS HANDLES (STYLE No. HNXT40, HN40XT) & HENRY EXPOSED DECK MOUNTED TUB FILLER WITH HANDSHOWER AND METAL LEVER HANDLES (STYLE No. HNXT50, HN50XT). All dimensions are based on original specification and are subject to change and variation. Please consult your Design Associate for current specifications.

WATERWORKS