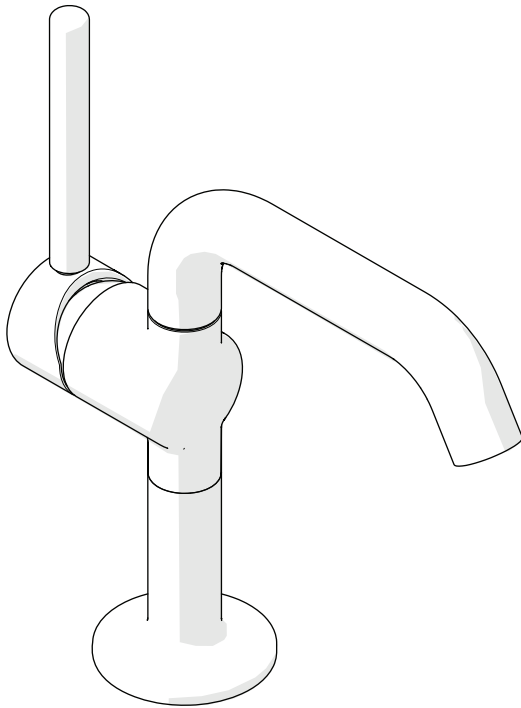


STYLE No. PTKM30[†]



SPECIFICATIONS:

Deck Thickness Maximum: 1-3/8" (35mm)
 Fittings Hole Diameter: Ø1-1/2" (38mm)
 Handle Turn Angle: Quarter Turn Each Way
 Inlet Connection Size: 3/8"
 Inlet Connection Type: Compression Connection Adapters[†]
 Restricted Maximum Flow Rate: 2.2gpm (8.3liters/min)
 Spout Reach: 5-1/2" (140mm)
 Spout Swivel: No
 Water Pressure Minimum: 20 psi (1.4 Bar)
 Water Pressure Maximum: 80 psi (5.5 Bar)
 Water Pressure Recommended: 45 psi (3 Bar)

[†] UK Style No. **PT30KM** is supplied with 2 **BSP** adapters, assembly required

IMPORTANT:

- To ensure this product is installed properly, you must read and follow these guidelines.
- The owner/user of this product must keep this information for future reference.
- This product must be installed by a professional licensed contractor.
- Be sure your installation conforms to all federal, state, and local codes.
- In the State of Massachusetts, all installations must comply with the rules and regulations set forth within 248 CMR.

- Refer to the specification and assembly drawings attached. Product is sold partially assembled but shown fully disassembled for illustrative and service purposes only.
- Inspect the product to ensure you have all the parts required for proper installation.
- Use only a strap wrench or protected/smooth-jaw wrench on any finished surface.
- **DO NOT** use putty. Putty contains oil and can cause permanent discoloration on certain materials such as marble, granite and any porous surface.

INSTALLATION:

1. Remove the MOUNTING NUT, METAL WASHER, and RUBBER WASHER from the SHANK. See FIGURE - 01. Do **NOT** remove the RUBBER WASHER beneath the ESCUTCHEON.

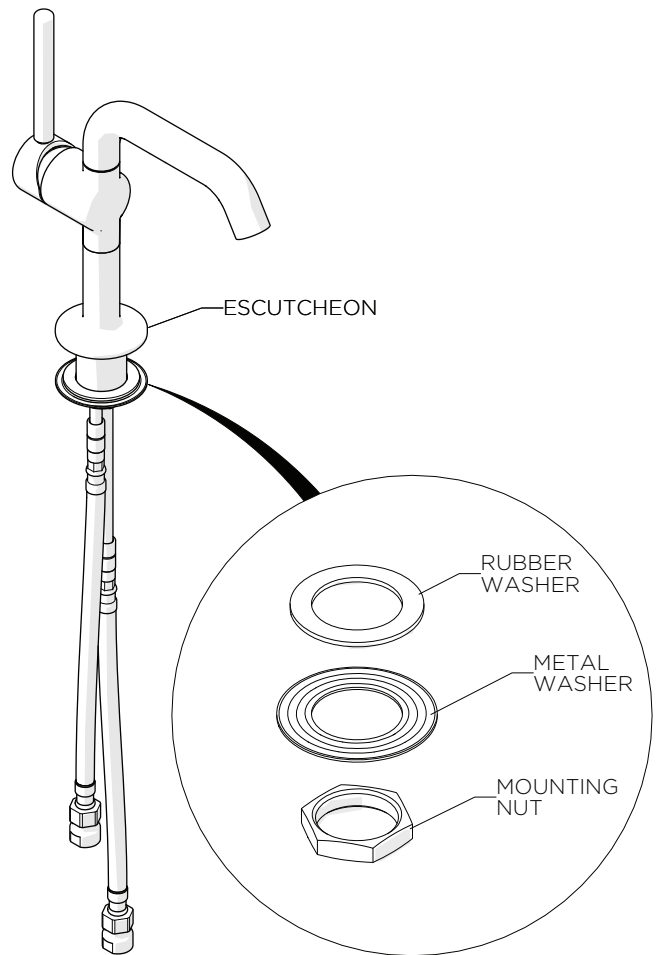


FIGURE - 01

2. Ensure that the HOSES are securely tightened to the EXTENSION TUBES, then insert the HOSES through the hole on the mounting surface making sure the RUBBER WASHER is beneath the ESCUTCHEON.

These guidelines have been prepared for the professional contractor to aid in the installation of:
 25 ONE HOLE HIGH PROFILE BAR FAUCET WITH METAL LEVER HANDLE (STYLE No. PTKM30, PT30KM UK).
 All dimensions are based on original specification and are subject to change and variation.
 Please consult your Design Associate for current specifications.

3. Re-install the RUBBER WASHER, METAL WASHER and MOUNTING NUT. Securely tighten the MOUNTING NUT to secure the SPOUT to mounting surface.
4. Connect the ADAPTERS from the HOSES to the water supplies making sure the O-RINGS are inside the ADAPTERS. See FIGURE - 02.

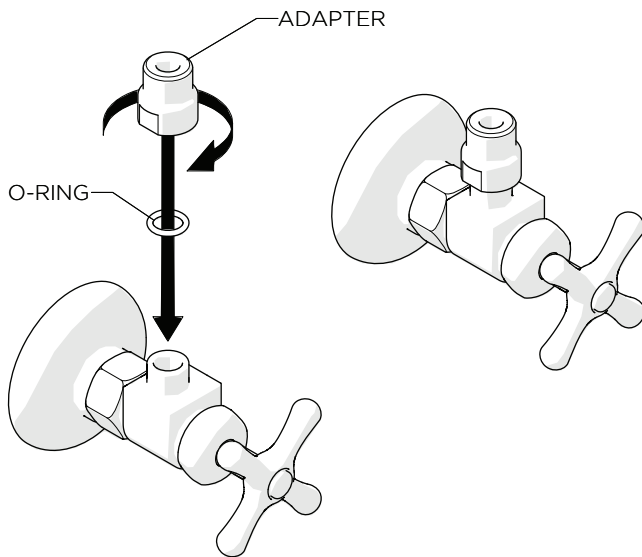


FIGURE - 02

5. Connect the HOSES to the ADAPTERS making sure they are not pinched or kinked.

FINISH AND INSPECT THE INSTALLATION:

6. Remove the AERATOR from the SPOUT using the TOOL provided then open the hot and cold supplies and carefully operate the HANDLE to flush out any debris in the supply lines.
7. Inspect all connections for leaks.
8. Shut the water off and re-install the AERATOR.

SERVICING THE PRODUCT:

- Refer to FIGURE - 03 for steps 9 & 10.
 - 9. To remove the SPOUT, loosen the SET SCREW behind the SPOUT then pull the SPOUT up to remove.
 - 10. To access the CARTRIDGE, loosen the SET SCREW beneath the HANDLE, pull the HANDLE off, unthread the GLAND COVER then unthread the RETAINING COLLAR to expose the CARTRIDGE.
- If further assistance is required, please contact Product Support at 1-800-927-2120 Ext 2 Monday through Friday, 8am - 6pm EST.
- * Putty contains oil and can cause permanent discoloration on certain materials such as marble, granite and any porous surface.

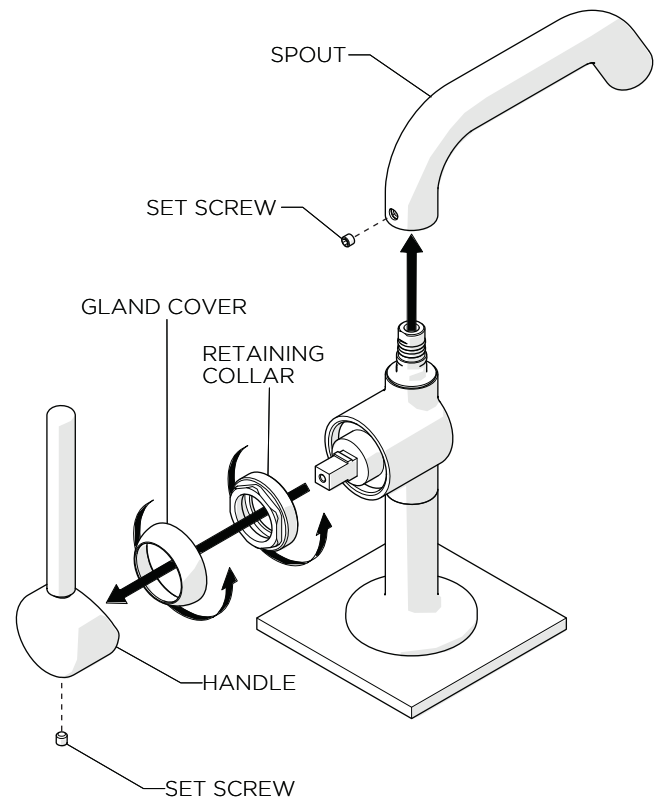


FIGURE - 03

These guidelines have been prepared for the professional contractor to aid in the installation of: **.25 ONE HOLE HIGH PROFILE BAR FAUCET WITH METAL LEVER HANDLE (STYLE No. PTKM30, PT30KM UK)**. All dimensions are based on original specification and are subject to change and variation. Please consult your Design Associate for current specifications.