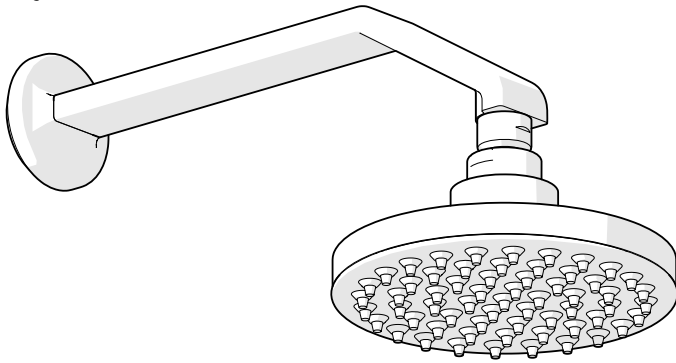


FORMWORK

Wall Mounted Showerhead, Arm & Flange

INSTALLATION GUIDELINES

Style No. FMSH01



SPECIFICATIONS:

Connection Type: 1/2" Female NPT
Recommended Pressure: 45psi
Restricted Maximum Flow Rate: 2.5gpm.

IMPORTANT:

- A diverter or wall valve (sold separately) control on/off/volume and must be installed for each fitting that will have water flowing to it.
- To ensure this product is installed properly, you must read and follow these guidelines.
- The owner/user of this product must keep this information for future reference.
- Be sure your installation conforms to federal, state, and local codes. In the State of Massachusetts, all installations must comply with the rules and regulations set forth within 248 CMR.
- This product must be installed by a professional licensed contractor and must be onsite prior to rough-in, this allows the installer to visualize the installation.
- Inspect this product to ensure you have all the parts required for proper installation.
- Use only a strap wrench or protected/smooth-jaw wrench on any finished surface.
- The use of certain plumber's putty can stain stone or tile surfaces

SHOWER ARM INSTALL:

- See Figure 1 for Steps 1 & 2.
- 1. Determine the ideal location for the Formwork Showerhead and stub out of the wall with a 1/2" NPT nipple a distance of 1/4" from the finished wall.
- 2. Thread the SHOWER ARM onto the 1/2" Nipple making sure the FOAM GASKET is behind it.

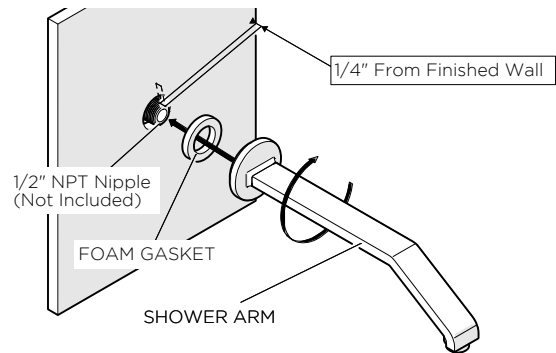


FIGURE - 01

SHOWERHEAD INSTALLATION:

3. Thread SHOWERHEAD into outlet of SHOWER ARM, making sure the FLOW REGULATOR & RUBBER WASHER are in the showerhead, as shown in Figure-02.

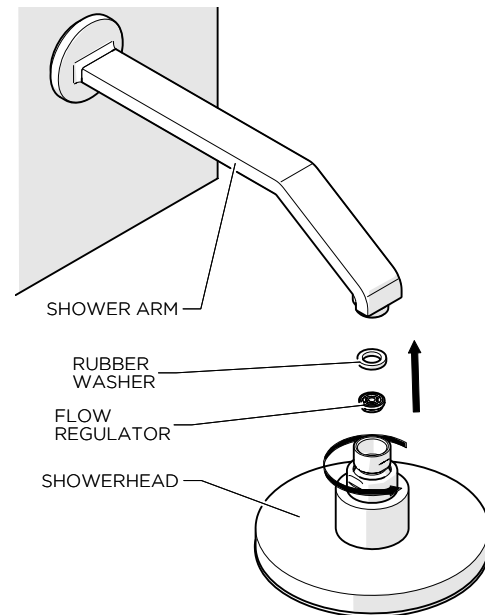


FIGURE - 02

INSPECT THE INSTALLATION:

4. Remove the showerhead from the shower arm. Turn on the wall valve/diverter (sold separately) to flush out any debris in the supply line.
 5. Inspect all connections for leaks.
 6. Turn off supply and re-attach the showerhead to the shower arm.
- If further assistance is required, please contact Product Support at 1-800-927-2120 (8am-6pm EST).
 - See service part document for parts ordering, available on WATERWORKS.COM

These guidelines have been prepared for the professional contractor to aid in the installation of: FORMWORK WALL MOUNTED SHOWERHEAD, ARM & FLANGE (STYLE# FMSH01). All dimensions are based on original specification and are subject to change and variation. Please consult your Design Associate for current specifications.

WATERWORKS