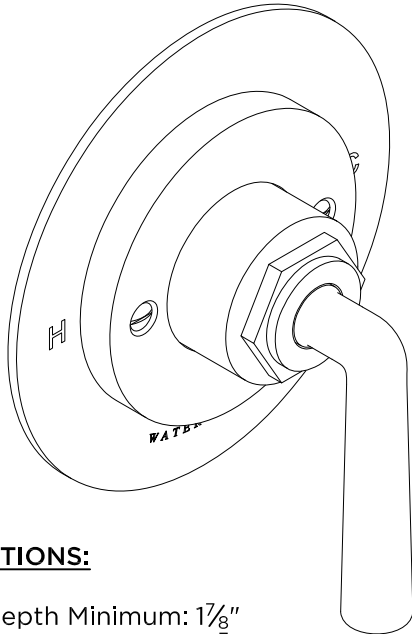


HNPB10: Metal Lever Handle



### **SPECIFICATIONS:**

Rough-in Depth Minimum: 1 $\frac{7}{8}$ "  
Rough-in Depth Maximum: 2 $\frac{7}{8}$ "  
Integrated Diverter: No

### **IMPORTANT:**

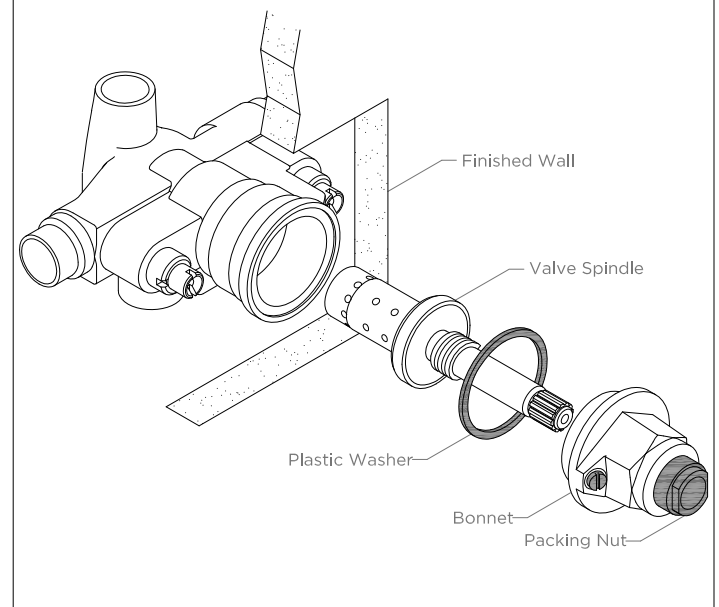
- To ensure this product is installed properly, you must read and follow these guidelines.
- The owner/user of this product must keep this information for future reference.
- This product is intended to work with the Waterworks Universal Pressure Balance Valve (GUSV81R). The risk of scalding exists until the installer has properly calibrated/adjusted the temperature setting during final trim installation.
- Be sure your installation conforms to all federal, state, and local codes.
- In the State of Massachusetts, all installations must comply with the rules and regulations set forth within 248 CMR.
- This product must be installed by a professional licensed contractor.
- Refer to the specification and assembly drawings attached. Product is sold partially assembled but shown fully disassembled for illustrative and service purposes only.
- Inspect this product to ensure you have all parts required for proper installation.
- This product must be on-site prior to rough-in and allows the installer to visualize the installation.

- Use only a strap wrench or protected/smooth-jaw wrench on any finished surface.

### **VALVE OPERATION:**

1. When the finished wall is complete, turn on the hot and cold supplies and pull off the tile guard. Valve will not operate unless BOTH supplies are turned on.
2. The lever handle (2) is for controlling temperature only, not volume. Place the handle on the valve stem so it rests at 6 o'clock in the OFF position and then turn the handle counter clockwise through the cold position and then warm and stopping at the hot position. If additional rotational friction is required to maintain the handle position, tighten the packing nut.
3. Allow the valve to run in the warm position for a few minutes to completely flush the system. If system is quite dirty, remove valve spindle to ensure proper flushing. Refer to the Installation Guidelines for the Pressure Balance Valve which contains a complete parts breakdown and related information.

Figure - 01



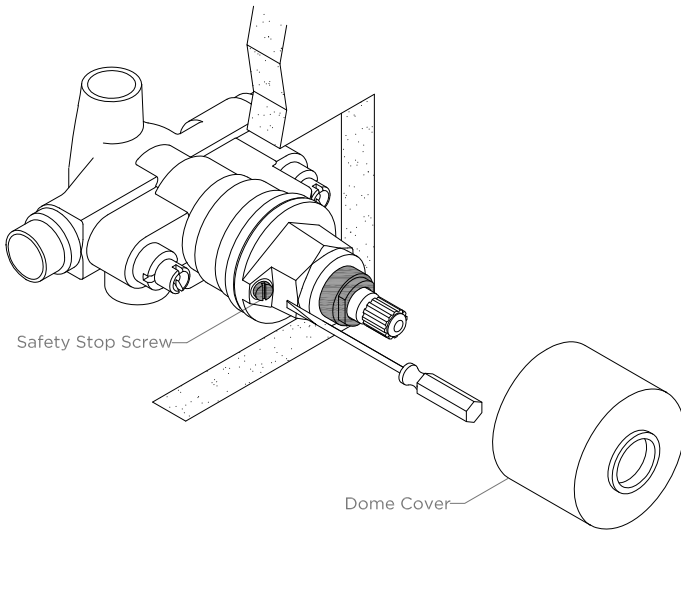
### **HOT LIMIT SAFETY STOP CALIBRATION:**

- **IMPORTANT:** The Pressure Balance Valve is equipped with a hot limit safety stop screw to limit the valve handle from being turned to excessive hot water discharge temperatures.
4. Remove the dome cover and open the valve to the maximum desired temperature verified with a thermometer and turn the safety stop screw clockwise until it seats. **WARNING: Failure to adjust the hot limit safety stop screw properly may result in serious scalding.**

These guidelines have been prepared for the professional contractor to aid in the installation of:  
**HENRY PRESSURE BALANCE CONTROL VALVE TRIM WITH METAL LEVER HANDLE (HNPB10).**  
All dimensions are based on origin specification and are subject to change and variation.  
Please consult your Design Associate for current specifications.

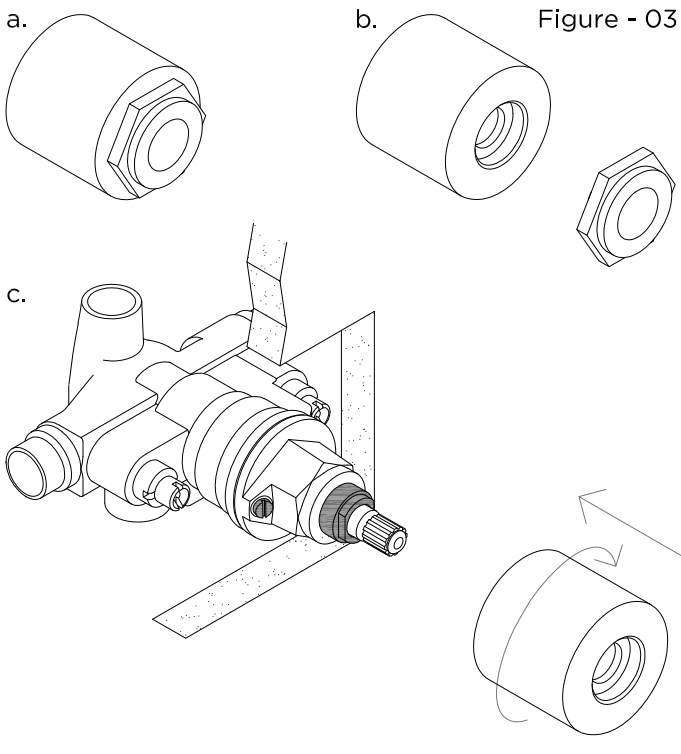
## WATERWORKS

Figure - 02



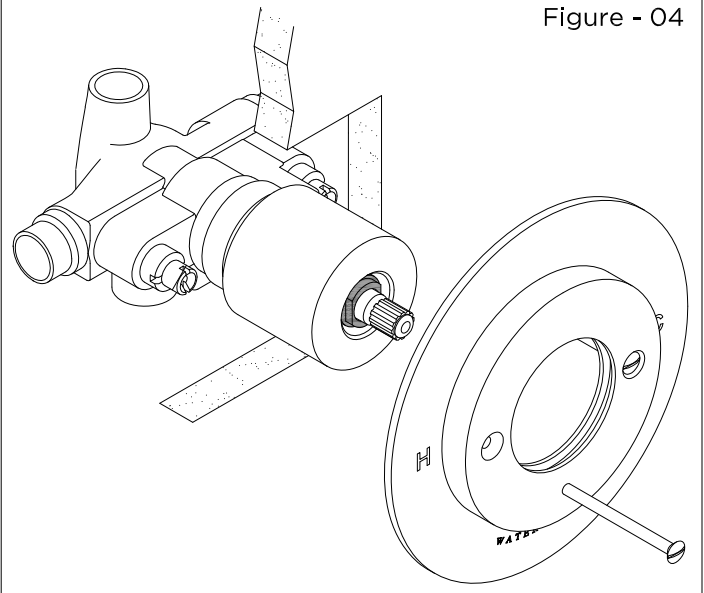
**TRIM INSTALLATION:**

- Remove the knurled nose cone cap (4) and hex collar (5-6) from the nose cone (7) as one assembly then screw the nose cone onto the packing nut until fully seated.



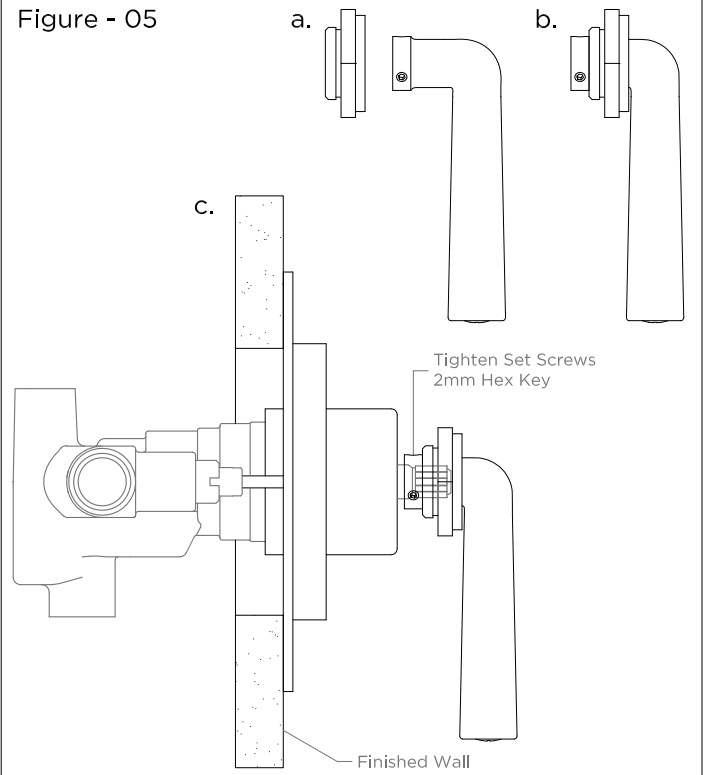
- Slide the trim plate (10) over the nose cone (7) and attach it with the screws (8) provided. If it is difficult to slide the plate over the nose cone, moisten the o-ring cord (9) inside the plate.

Figure - 04



- Slide the nose cone cap (4) and hex collar (5-6) assembly over the base of the handle (1-2) then attach the handle to the valve stem and tighten the set screws (3).

Figure - 05

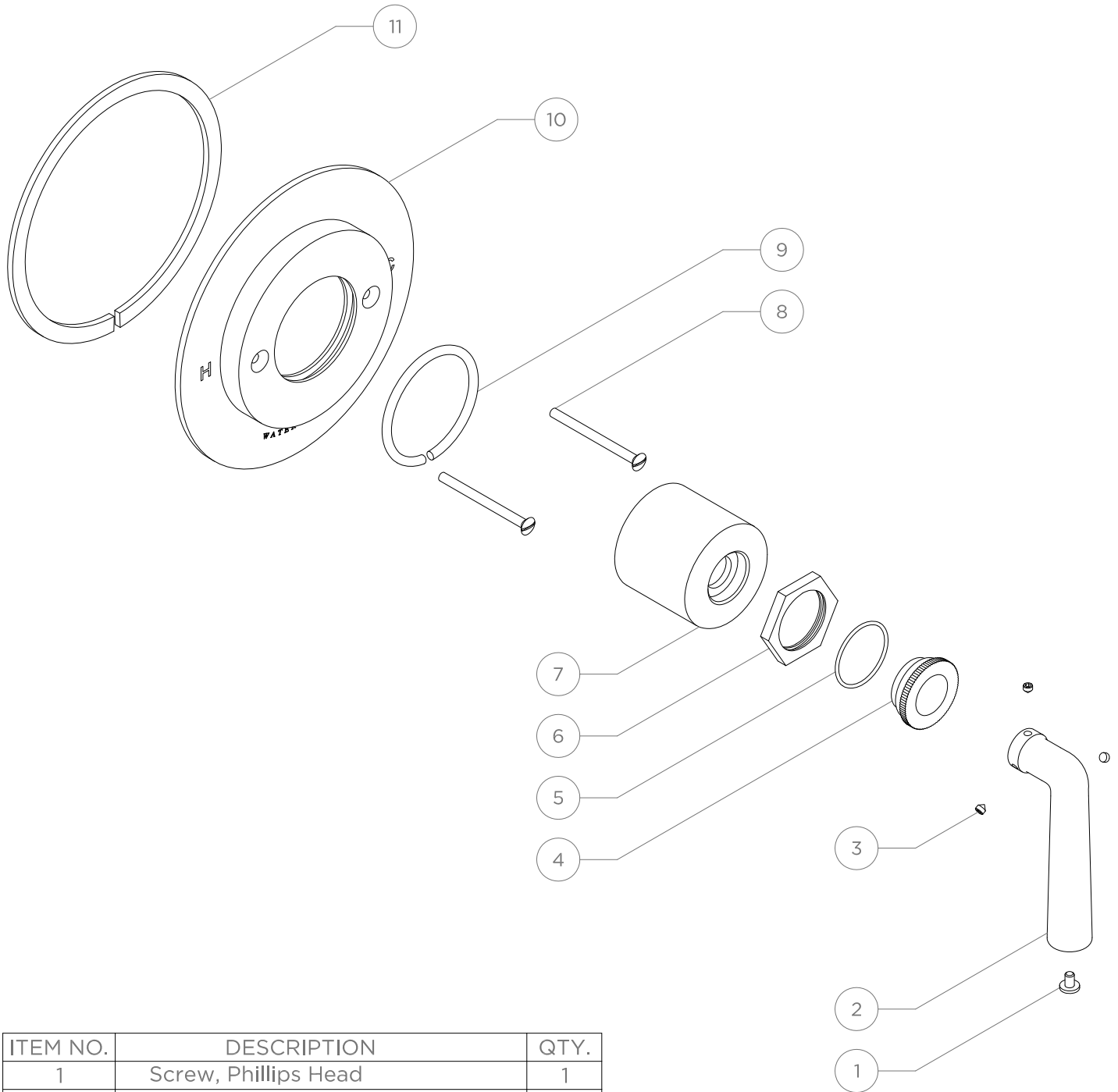


- Thread the nose cone cap (4) back into the nose cone (7) to conceal the set screws. The hex collar can be rotated to the desired orientation.

➤ If further assistance is required, please contact Product Support at 1-800-927-2120 Ext. 3 (9am-6pm EST).

These guidelines have been prepared for the professional contractor to aid in the installation of: **HENRY PRESSURE BALANCE CONTROL VALVE TRIM WITH METAL LEVER HANDLE (HNPB10)**. All dimensions are based on origin specification and are subject to change and variation. Please consult your Design Associate for current specifications.

**WATERWORKS**



ITEM NO.	DESCRIPTION	QTY.
1	Screw, Phillips Head	1
2	Lever Handle	1
3	Set Screw, 2mm Hex Key	3
4	1/4" Knurled Nose Cone Cap	1
5	O-Ring	1
6	17/16" Hex Collar	1
7	Nose Cone	1
8	Screw, Slotted, #8-32, 2" Length	2
9	O-Ring Cord	1
10	Trim Plate	1
11	Foam Gasket	1

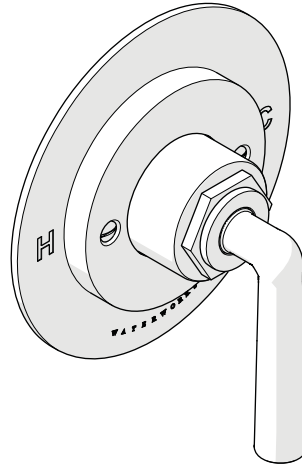
These guidelines have been prepared for the professional contractor to aid in the installation of: **HENRY PRESSURE BALANCE CONTROL VALVE TRIM WITH METAL LEVER HANDLE (HNPB10)**. All dimensions are based on origin specification and are subject to change and variation. Please consult your Design Associate for current specifications.

**WATERWORKS**

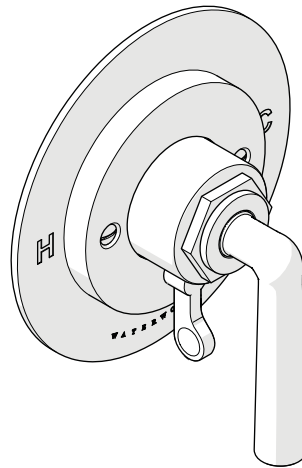


ESTB. 1978

# WATERWORKS SERVICE PARTS



**STYLE HNPB10**  
Henry Pressure Balance Control Valve Trim



**STYLE HNPB30**  
Henry Pressure Balance with Diverter Trim

---

WELCOME TO

# WATERWORKS

For over three decades, Waterworks has transformed the bath through an absolute commitment to design authenticity, innovation and quality. A blend of scholarly appreciation and applied experience guarantees mechanical integrity, meticulous craftsmanship, and timeless designs.

---

**TO ORDER PARTS CALL  
1 (800) 927-2120 (EXT 2)**

Order by part number and specify color, finish, or other options if required.

**PRODUCT SUPPORT**

Our Product Support team provides troubleshooting and technical problem resolution, including replacement parts and installation recommendations throughout the life of your product.

Product Support is available Monday through Friday, 8AM-6PM EST.

**LIMITED LIFETIME  
WARRANTY**

Our warranty covers repair and replacement of Waterworks products if within the applicable coverage period and deemed defective by Waterworks. Waterworks will, at its option, repair or replace such products; this does not include installation costs, labor charges, or other incidental or consequential costs.

To obtain your complete warranty or inquire about warranty service, please visit us at [www.waterworks.com](http://www.waterworks.com) or contact our Product Support Team.



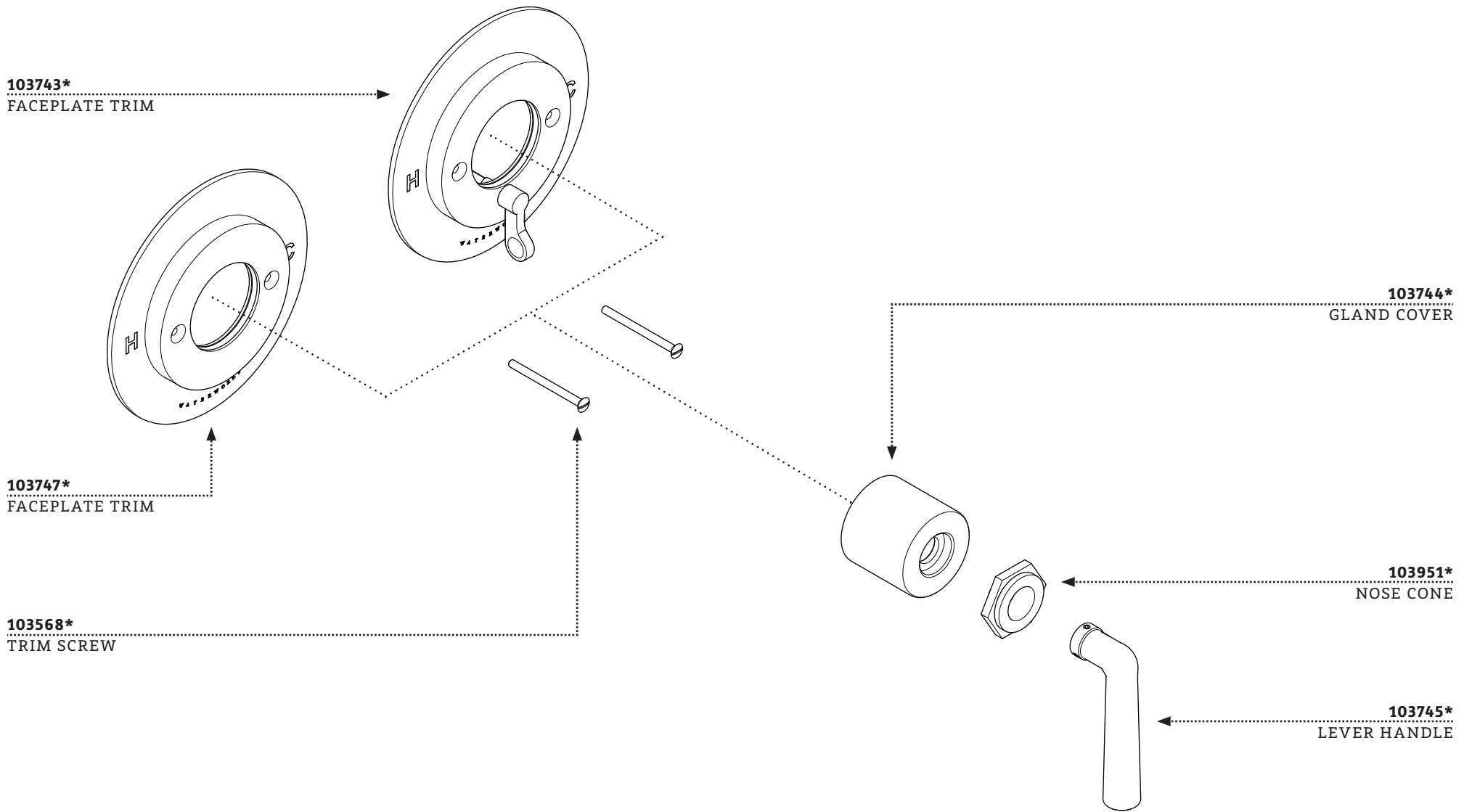
ESTB. 1978

WATERWORKS

**MAIN KITS**

**STYLES: HNPB10, HNPB30**

\*FINISH/COLOR MUST BE SPECIFIED WHEN ORDERING  
++SUPPLIED AS A PAIR





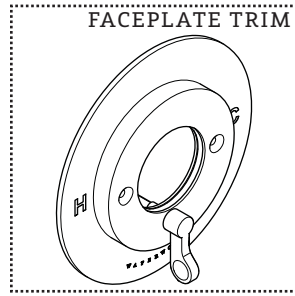
ESTB. 1978

WATERWORKS

**KIT COMPONENTS**

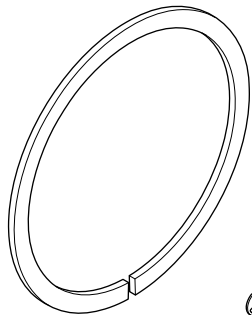
**STYLES: HNPB10, HNPB30**

**103743\***



FACEPLATE TRIM

FOAM GASKET



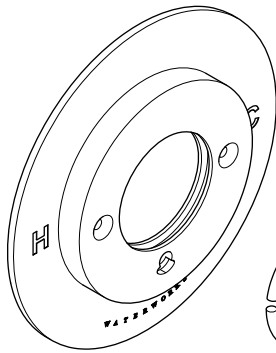
CLIP



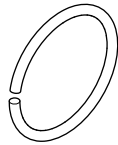
PLASTIC WASHER



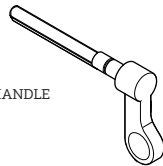
TRIM PLATE



O-RING CORD



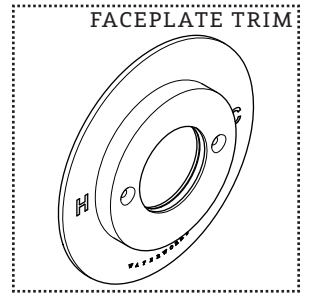
DIVERTER HANDLE



\*FINISH/COLOR MUST BE SPECIFIED WHEN ORDERING  
++SUPPLIED AS A PAIR

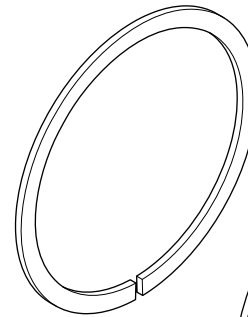
**KIT COMPONENTS**

**103747\***

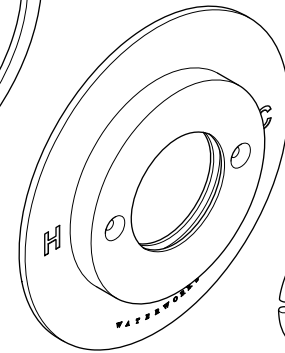


FACEPLATE TRIM

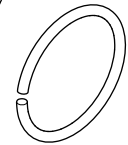
FOAM GASKET



TRIM PLATE



O-RING CORD





ESTB. 1978

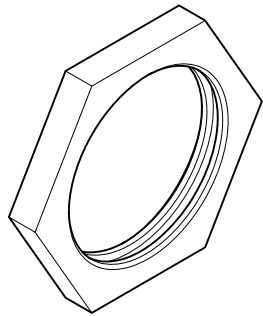
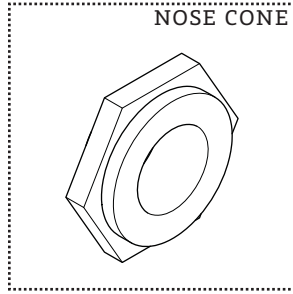
WATERWORKS

**KIT COMPONENTS**

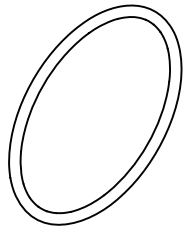
**STYLES: HNPB10, HNPB30**

**103951\***

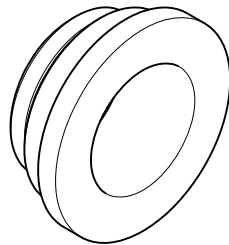
**NOSE CONE**



HEX COLLAR



O-RING



KNURLED COLLAR

\*FINISH/COLOR MUST BE SPECIFIED WHEN ORDERING  
++SUPPLIED AS A PAIR

**KIT COMPONENTS**

**103745\***

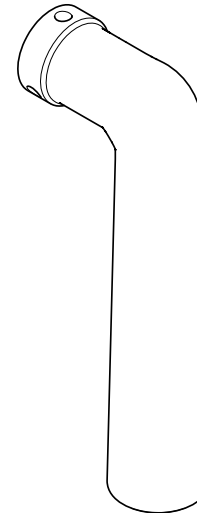
**LEVER HANDLE**



SET SCREW



HANDLE



SET SCREW



**103746**

**FASTENING SET SCREW**







ESTB. 1978

W A T E R W O R K S

## SERVICE PARTS INDEX

<u>STYLE</u>	<u>DESCRIPTION</u>	<u>PG</u>
103747*	FACEPLATE TRIM	5
103743*	FACEPLATE TRIM	4
103746	FASTENING SET SCREW	7
103744*	GLAND COVER	3
103745*	LEVER HANDLE	7
103951*	NOSE CONE	6
103568*	TRIM SCREW	2

**STYLES: HNPB10, HNPB30**

\*FINISH/COLOR MUST BE SPECIFIED WHEN ORDERING  
++SUPPLIED AS A PAIR

## NOTES

DOCUMENT: SPHN09\_REV01



ESTB. 1978

WATERWORKS

**PRODUCT SUPPORT**

60 BACKUS AVENUE  
DANBURY, CT 06810

1 (800) 927-2120 (EXT 2)

[WWW.WATERWORKS.COM](http://WWW.WATERWORKS.COM)