

(Covered Escutcheon)

EATU21 (White porcelain handles and indices) **EATU18** (Wall Unions)

EATU22-K (Metal handles and indices)

EATU24-K (Black porcelain handles and metal indices)

EATU25-K (Oak handles and metal indices)

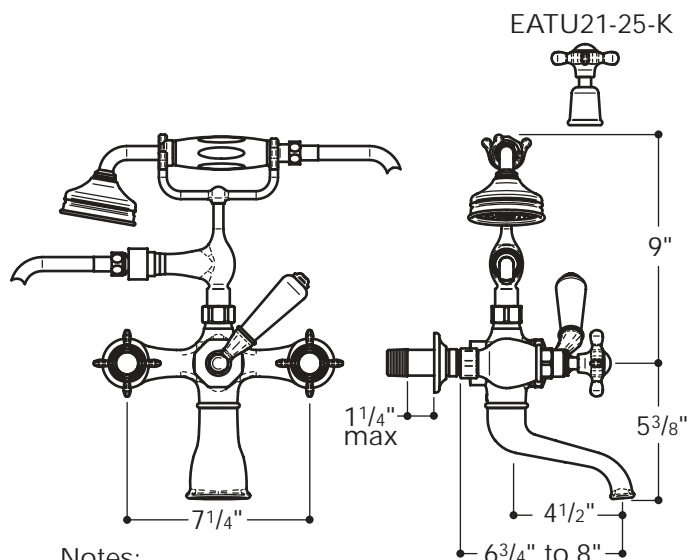
(Uncovered Escutcheon)

EATU31 (White porcelain handles and indices)

EATU32-K (Metal handles and indices)

EATU34-K (Black porcelain handles and metal indices)

EATU35-K (Oak handles and metal indices)



Notes:

- 3/4" male NPT inlets
- Spread is NOT adjustable
- Check tub deck and tub measurements to assure the spout projects far enough into the tub
- Anti scald protections is the responsibility of the installer and according to applicable codes
- Replacement cartridge - part # WWPTU11

INSTALLATION GUIDELINES:

IMPORTANT:

- To ensure this product is installed properly, you must read and follow these guidelines.
- The owner/user of the tub filler must keep this information for future reference.
- Be sure your installation conforms to federal, state, and local codes. Anti scald protection is the responsibility of the installer and according to applicable codes.
- This tub filler should be on-site prior to rough in and allows the installer to visualize the installation and verify the center spread.
- Check tub deck and tub measurements to assure the spout projects far enough into the tub.

- Refer to the specification and assembly drawings attached. Faucet is sold partially assembled but shown fully disassembled for illustrative and service purposes only.
- Inspect this product to assure you have all parts required for proper installation.
- Use only a strap wrench or protected/smooth-jaw wrench on any finished surface.
- Install accessible hot and cold service stop valves to facilitate servicing.

ROUGH IN:

1. Run 3/4" hot and cold supply lines for maximum water flow. The spread between supplies is 7-1/4" and is NOT adjustable.
2. Install a well supported 3/4" sweat x 3/4" female IPS elbow onto each supply line. The distance from the face of the elbow to the surface of the finished wall **must be 1/2" for optimum projection into the tub.**
3. Verify the elbows are secure, level, at the proper spread of 7-1/4", and equal depths.
4. Stub-out 3/4" capped nipples to allow for finished wall installation and then turn on the supplies and check for leaks.

TUB FILLER INSTALLATION:

5. After the finished wall is complete, remove the nipples installed in step 4.
6. Apply thread compound to the longer of the 2 threaded sections of the wall union (2).
7. Thread the wall union into the 3/4" elbow and tighten using a 17mm hex wrench.
8. Slide an escutcheon (3,4) onto the union. If desired, a bead of caulk of silicone may be applied where the escutcheon contacts the wall.
9. Install a 3/4" washer (1) into each inlet and then attach the tub filler to the wall unions by tightening the nuts (22) on the back side of the tub filler.
10. Insert a 3/4" washer (19) into the base of the cradle (11) and then secure the cradle to the tub filler by tightening the nut (11a). Cradle can be positioned with hose outlet pointing to the left or the right.

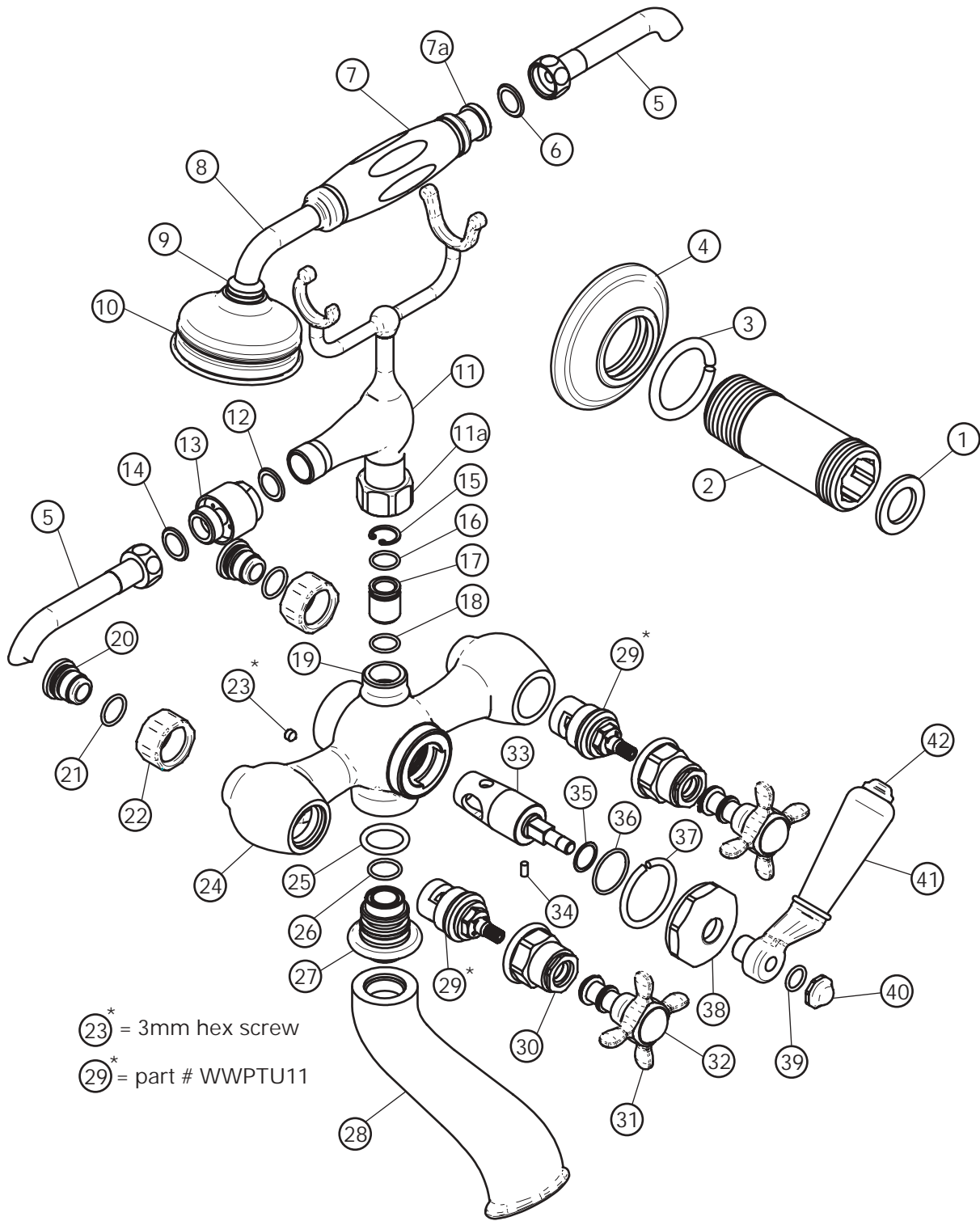
11. Thread one end of the hose (5) onto the vacuum breaker (13) and then thread the other end onto the hand shower (7-10), making sure a 1/2" washer (6,14) is included at both connection points. Note a combination check valve with flow restrictor is located inside the base of the hand shower (7a).
 12. Rotate the diverter lever (39-42) to the left and then turn the hot and cold water on to flush the lines through the spout. Rotate the lever to the left and right to make sure water is diverting properly between the spout and hand shower.
 13. As always, check for leaks at all connections.
 14. Install the indices marked "hot" and "cold" onto the proper handle using the double sided adhesive pads.
 15. To service a valve stem (29), loosen the handle cover (30) and then remove the handle assembly (30-32).
- If further assistance is required, please contact Product Support at 1-800-927-2120 (8am-7pm EST).

These guidelines have been prepared for the professional contractor to aid in the installation of:
EASTON® EXPOSED TUB FILLER (EATU21,22-K,24-K,25-K,31,32-K,34-K,35-K)
EASTON® WALL UNIONS (EATU18)

12/03

All dimensions are based on original specifications and are subject to change and variation.
Please consult your Design Associate for current specifications.

W A T E R W O R K S®



12/03 These guidelines have been prepared for the professional contractor to aid in the installation of:
EASTON® EXPOSED TUB FILLER (EATU21,22-K,24-K,25-K,31,32-K,34-K,35-K)
EASTON® WALL UNIONS (EATU18)
 All dimensions are based on original specifications and are subject to change and variation.
 Please consult your Design Associate for current specifications.

W A T E R W O R K S®