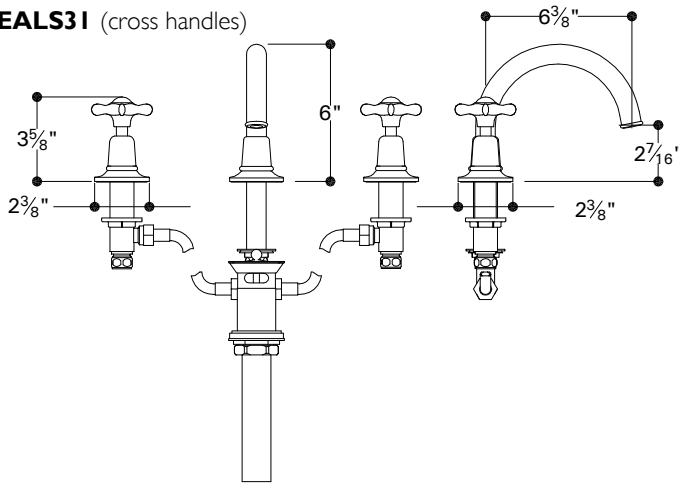


CLASSIC

EALS31 (cross handles)

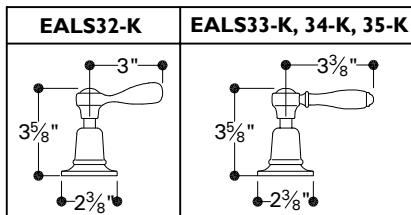


EALS32-K (metal lever handles)

EALS33-K (white porcelain lever handles)

EALS34-K (black porcelain lever handles)

EALS35-K (oak lever handles)



VINTAGE

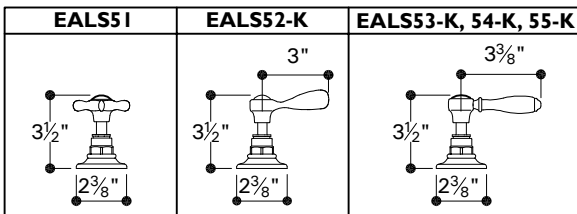
EALS51 (cross handles)

EALS52-K (metal lever handles)

EALS53-K (white porcelain lever handles)

EALS54-K (black porcelain lever handles)

EALS55-K (oak lever handles)



IMPORTANT

- **To ensure this product is installed properly, you must read and follow these guidelines.**
- **The owner/user of the faucet must keep this information for future reference.**
- This faucet must be on-site prior to rough in and allows the installer to visualize the installation and match the 8" center spread.

- Be sure your installation conforms to local codes.
- Refer to the specification and assembly drawings attached. Faucet is sold partially assembled but shown fully disassembled for illustrative and service purposes only.
- Check countertop and sink measurements to assure the spout projects far enough into the sink.
- Inspect this product to assure you have all parts required for proper installation.
- Use only a strap wrench or protected/smooth-jaw wrench on any finished surface.
- Do NOT use putty during this installation.

SIDE VALVE INSTALLATION

1. With the lock nut (4b) and upper sealing gasket (4a) installed on the side valve (5-7), insert the side valve into the hole in the mounting surface so at least 1/2" of threads are exposed.
2. Place the upper sealing gasket (4) onto the side valve then thread the base escutcheon (3) onto the side valve.
3. Thread the handle assembly (1-1h) onto the side valve until it stops. Hand tight is adequate; if this assembly is too tight, the handle will bind.
4. Unthread the base escutcheon until it contacts the gland nut (1e) which will assure proper side valve height.
5. Tighten the lock nut up against the underside of the mounting surface to secure the side valve
6. Repeat these steps to install the second side valve.

SPOUT AND DRAIN INSTALLATION

7. Unthread and remove the spout nut (10), rubber spout washer (10A), tee assembly (9-9b) and tee washer (9c) from the spout shank.
8. Insert the spout assembly (10b, 11-13) through the spout hole of the mounting surface, reinstall the rubber spout washer then tighten the spout mounting nut to secure the spout to the mounting surface.

These guidelines have been prepared for the professional contractor to aid in the installation of: **EASTON GOOSENECK LAVATORY FAUCET (EALS31, 32-K, 33-K, 34-K, 35-K, 51, 52-K, 53-K, 54-K, 55-K)** All dimensions are based on original specification and are subject to change and variation. Please consult your Design Associate for current specifications.

W A T E R W O R K S

9. Reattach the tee making sure the tee washer is included.
10. Connect each of the supply hoses (8) to the adjacent side valve making sure the hoses are not pinched/kinked.
11. Connect the side valves (6) to the water supply valves (not supplied).

DRAIN INSTALLATION

Note: This faucet does not use a lift rod to operate the drain stopper. Instead, it uses a lift and turn drain.

12. Disassemble the drain assembly and discard the upper gasket (15a).
13. Set the drain collar (15) in the lavatory drain opening using a clear adhesive silicone.
14. Re-attach the lower drain assembly using the hardware provided then tighten until fully secured. A clear adhesive silicone may be used to ensure a water-tight seal between the drain collar and lavatory.
15. Attach the tailpiece using the gasket and tailpiece nut (16) provided. Do NOT over-tighten the tailpiece nut, hand tight is adequate.

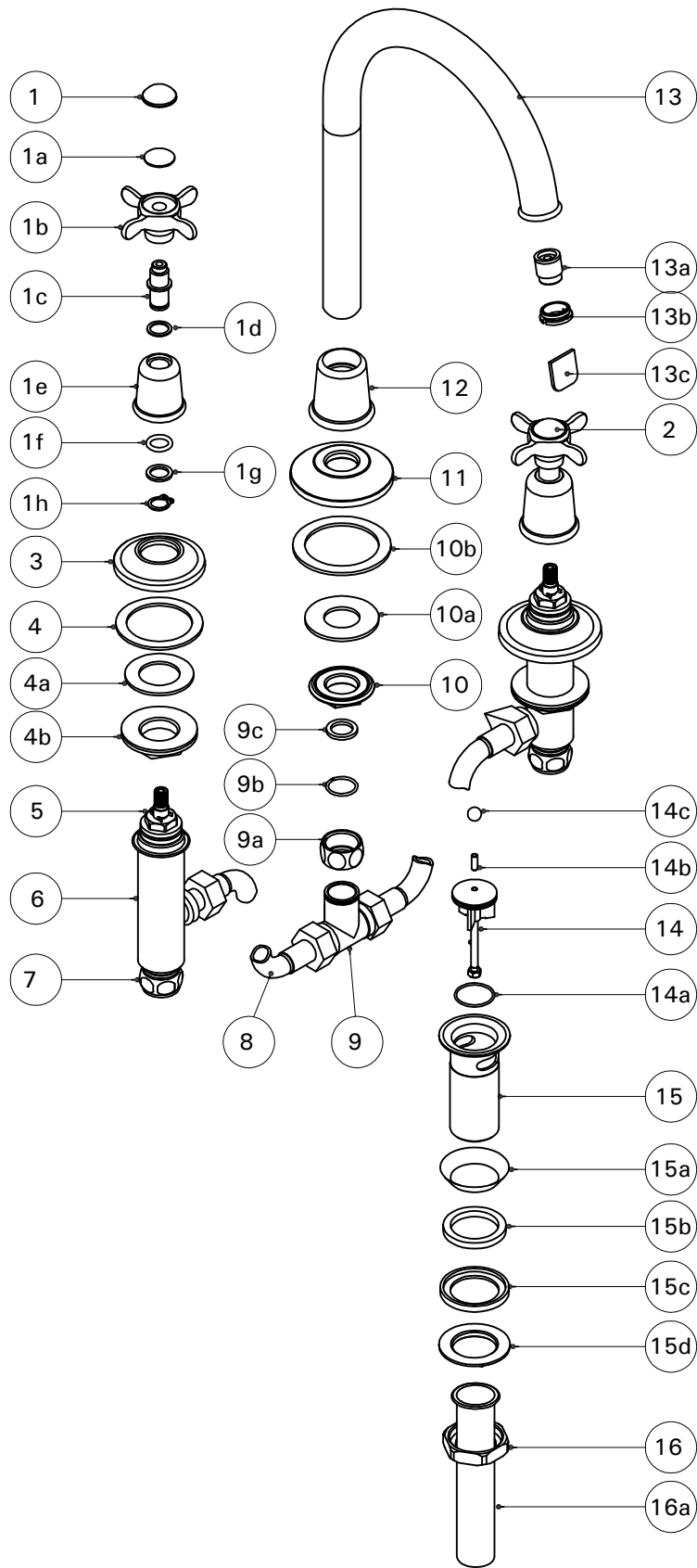
INSPECT THE INSTALLATION

16. Remove the flow restrictor assembly (13a,13b) from the spout using the tool (13c) provided. Carefully open the hot and cold valves to flush out any debris in the supply lines.
17. Inspect all connections for leaks. Reinstall the flow restrictor assembly.

If further assistance is required, please contact Product Support at 1-800-927-2120 (8am-7pm EST)

These guidelines have been prepared for the professional contractor to aid in the installation of: **EASTON GOOSENECK LAVATORY FAUCET (EALS31, 32-K, 33-K, 34-K, 35-K, 51, 52-K, 53-K, 54-K, 55-K)** All dimensions are based on original specification and are subject to change and variation. Please consult your Design Associate for current specifications.

W A T E R W O R K S



These guidelines have been prepared for the professional contractor to aid in the installation of: **EASTON GOOSENECK LAVATORY FAUCET (EALS31, 32-K, 33-K, 34-K, 35-K, 51, 52-K, 53-K, 54-K, 55-K)** All dimensions are based on original specification and are subject to change and variation. Please consult your Design Associate for current specifications.

W A T E R W O R K S

PARTS TABLE		
ITEM NO.	DESCRIPTION	QTY.
1	INDICE, HOT	1
1a	PAD, ADHESIVE	2
1b	HANDLE, CROSS	2
1c	SHAFT, HANDLE	2
1d	WASHER, PLASTIC	2
1e	GLAND NUT	2
1f	O-RING	2
1g	WASHER	2
1h	RETAINING CLIP	2
2	INDICE, COLD	1
3	ESCUTCHEON, FLAT	2
4	GASKET, RUBBER	2
4a	GASKET, SIDE VALVE	2
4b	NUT, SIDE VALVE	2
5	CARTRIDGE, HOT and COLD	2
6	SIDE VALVE BODY	2
7	NUT SIDE VALVE INLET	2
8	HOSE	2
9	TEE	1
9a	NUT, TEE	1
9b	CLIP, TEE NUT	1
9c	WASHER, TEE	1
10	NUT, SPOUT	1
10a	WASHER	1
10b	GASKET, SPOUT	1
11	ESCUTCHEON, SPOUT	1
12	ESCUTCHEON, GLAND	1
13	SPOUT	1
13a	AERATOR W/FLOW RESTRICTOR	1
13b	HOUSING	1
13c	TOOL, AERATOR REMOVAL	1
14	STOPPER	1
14a	O-RING, STOPPER	1
14b	THREADED ROD	1
14c	KNOB	1
15	DRAIN FLANGE/COLLAR	1
15a	GASKET, UPPER DRAIN/FLANGE	1
15b	GASKET	1
15c	GASKET HOUSING	1
15d	NUT	1
16	NUT W/GASKET, TAILPIECE	1
16a	TAILPIECE, 1¼" DIAMETER	1

These guidelines have been prepared for the professional contractor to aid in the installation of: **EASTON GOOSENECK LAVATORY FAUCET (EALS31, 32-K, 33-K, 34-K, 35-K, 51, 52-K, 53-K, 54-K, 55-K)** All dimensions are based on original specification and are subject to change and variation. Please consult your Design Associate for current specifications.

W A T E R W O R K S