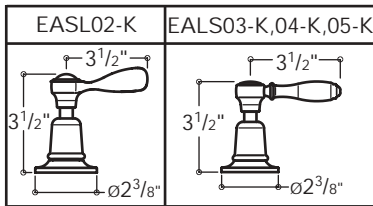
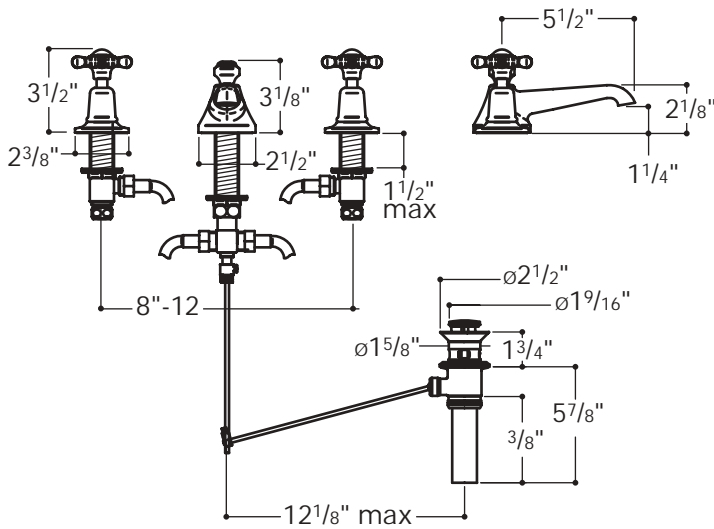


- EALS01** (cross handle)
- EALS02-K** (metal lever handle)
- EALS03-K** (white porcelain lever handle)
- EALS04-K** (black porcelain lever handle)
- EALS05-K** (oak lever handle)



Notes:

- Drilling hole size: 1 1/4"
- 1 1/4" flanged tail piece included

SIDE VALVE INSTALLATION:

1. With the lock nut (13) and upper sealing gasket (12) installed on the side valve (15), insert the side valve into the hole in the mounting surface so at least 1/2" of threads are exposed.
2. Place the upper sealing gasket (11) onto the side valve and then thread the base escutcheon (10) onto the side valve.
3. Thread the handle assembly (1-9) onto the side valve until it stops. Hand tight is adequate; if this assembly is too tight, the handle will bind.
4. Unthread the base escutcheon until it contacts the cover (6) which will assure proper side valve height.
5. Tighten the lock nut up against the underside of the mounting surface to secure the side valve.
6. Repeat these steps to install the second side valve.

SPOUT AND DRAIN INSTALLATION:

7. Loosen the slotted set screw (41) from the end of the tee (37) and then pull off the lift rod tension assembly (41-44).
8. Loosen the packing nut (40) at the base of the tee, unthread the tee nut (33) and remove the tee assembly (32-40) and washer (31) from the spout shank (26).
9. Unthread and remove the spout mounting nut (30) and rubber spout washer (29) from the spout.
10. Insert the spout assembly through the spout hole of the mounting surface, reinstall the rubber spout washer and then tighten the spout mounting nut to secure the spout to the mounting surface.
11. Reattach the tee assembly and then make sure to tighten the packing nut (40) to prevent leaks.
12. Reinstall the lift rod tension assembly, do NOT fully tighten the nut (44) at the base of this assembly.
13. Connect each of the supply hoses (24) to the adjacent side valve, making sure the hoses are not pinched/kinked.
14. Remove the upper collar (48) from the pop-up drain assembly and discard the upper gasket (49).
15. Set the upper collar in the lavatory drain opening using a clear adhesive silicone.

INSTALLATION GUIDELINES:

IMPORTANT:

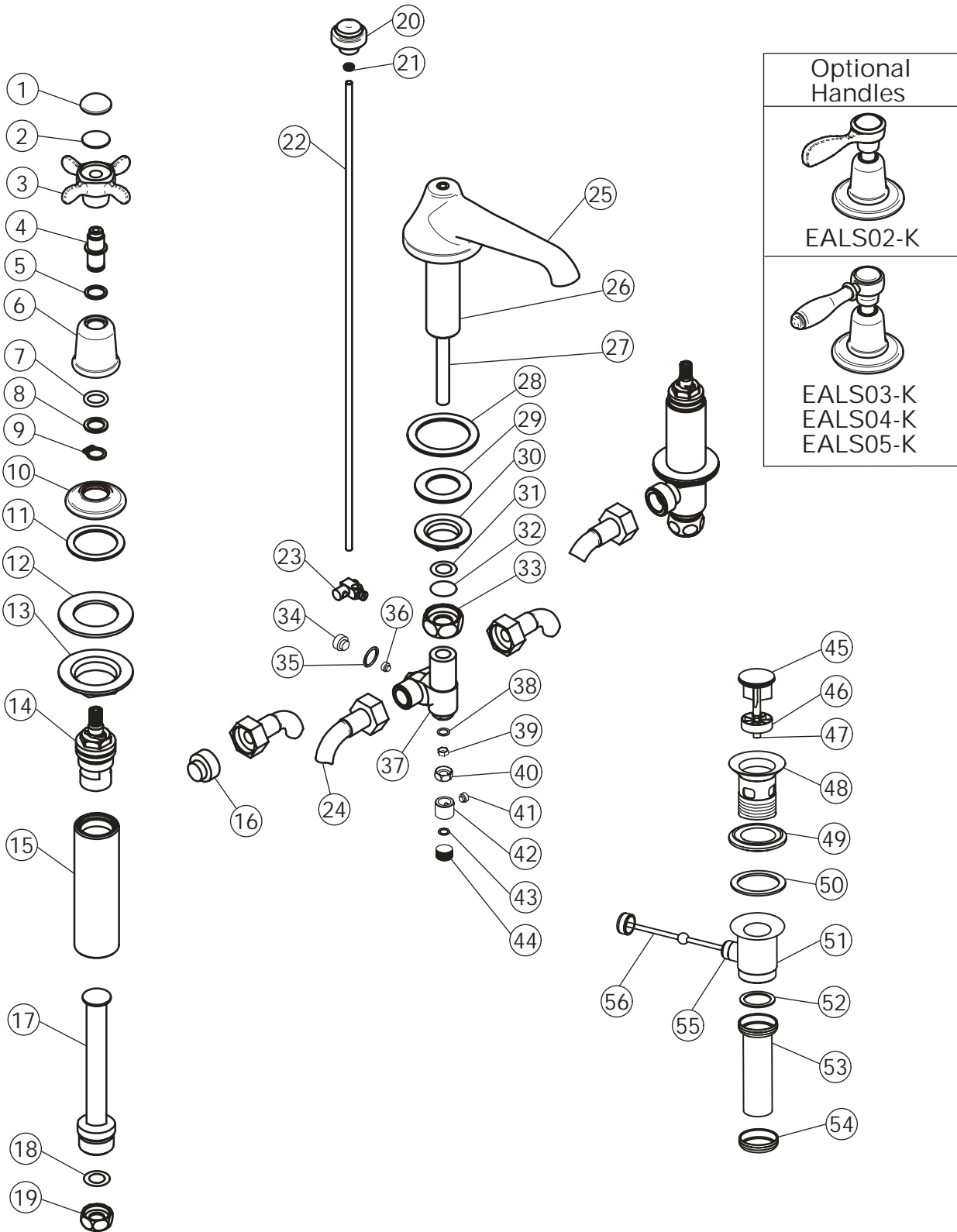
- To ensure this product is installed properly, you must read and follow these guidelines.
- The owner/user of the faucet must keep this information for future reference.
- Be sure your installation conforms to local codes.
- Refer to the specification and assembly drawings attached. Faucet is sold partially assembled but shown fully disassembled for illustrative and service purposes only.
- Inspect this product to assure you have all parts required for proper installation.
- Use only a strap wrench or protected/smooth-jaw wrench on any finished surface.
- If possible, install the faucet assembly on the sink or mounting surface before setting.
- Do NOT use putty during this installation.

These guidelines have been prepared for the professional contractor to aid in the installation of:
EASTON LAV SET ~ COVERED
(EALS01, EALS02-K, EALS03-K, EALS04-K, EALS05-K)
 All dimensions are based on original specifications and are subject to change and variation.
 Please consult your Design Associate for current specifications.

- 16. Reattach the lower drain assembly (51) using the gasket (50) provided and then tighten until fully secured. A clear adhesive silicone may be used to ensure a watertight seal between the gasket and lavatory.
- 17. Remove the knurled nut (55) from the lower drain assembly and then insert the horizontal pivot rod (56) and reattach the knurled nut.
- 18. Insert the vertical lift rod (20-22) into the spout and then connect the vertical lift rod to the horizontal pivot rod (56) using the linkage (23) provided. Note that these rods may be field cut.
- 19. Attach the tail piece (54,53) using the gasket (52) provided.
- 20. Connect the side valves (12-19) to the water supply valves (not supplied).

INSPECT THE INSTALLATION:

- 21. Carefully open the hot and cold valves to flush out any debris in the supply lines. The flow restrictor (36) is located in the tee (37) and can be serviced by removing the tee. After removing the tee, unthread the nut (34) and washer (35), and then insert a small screwdriver into the outlet on top of the tee and pop the restrictor out of the hole.
 - 22. Inspect all connections for leaks.
 - 23. Close the drain and then fill the sink with water to make sure the drain stopper (45) operates and seals properly.
 - 23a. The nut (44) at the base of the tee can be adjusted to change the tension required to hold the vertical lift rod in position while the drain is closed.
 - 23b. To adjust the height of the drain stopper, turn the adjustment screw (47) at the base of the stopper and then tighten the locking nut to secure.
 - 23c. The linkage (23) position will effect drain stopper function, adjust as needed.
- If further assistance is required, please contact Product Support at 1-800-927-2120 (8am-7pm EST).



These guidelines have been prepared for the professional contractor to aid in the installation of:
EASTON® LAV SET ~ COVERED
(EALS01, EALS02-K, EALS03-K, EALS04-K, EALS05-K)
 All dimensions are based on original specifications and are subject to change and variation.
 Please consult your Design Associate for current specifications.