

FOR NON-FREEZING AREAS ONLY.

360° SWIVEL INLET

The Model 75 and B75 are anti-siphon wall hydrants designed for irrigation purposes in mild climate areas or within temperature controlled buildings. The Model 75 is only 2-5/8" deep and fits inside a stud wall. The B75 fits inside a 4" wall.

SPECIFICATIONS:

VACUUM BREAKER – ANTI-SIPHON - NIDEL® Model 34HF with 3/4 inch male hose thread, approved under ASSE Standard 1011, Canadian Standards Association and listed by IAPMO®.

VALVE SEAT – Permanent type brass valve body with hemispherical seating surface.

STEM – Hardened stainless steel stem resists damage.

PACKING – EPDM rubber with adjustable packing nut..

TEE KEY – Loose key operates hydrant.

INLET – 3/4" female pipe thread. Inlet swivels 360° to any position.

MAX PRESSURE – 125 p.s.i.

MAX TEMPERATURE - 120° F

OPTIONS - RK Bracket Kit

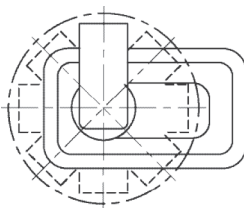
SHIPPING WEIGHT – **Model 75:** 3.1 lbs.
Model B75: 10.2 lbs.
Model RB75: 7.9 lbs.

For Installation / Troubleshooting Instructions go to
www.woodfordmfg.com or call 1-800-621-6032

Specify as follows:

Wall hydrant shall be Woodford Model 75 (exposed type) or B75 (concealed box type), with anti-siphon vacuum breaker listed by ASSE, CSA and IAPMO. 3/4" inlet and outlet. 360° inlet orientation. Hardened stainless steel operating stem. Packing nut secured with lock nut. Permanent type valve body with large hemispherical seating surface. Exterior finish to be Chrome Plated (options: Polished Brass or Rough Brass). Loose tee key to be furnished with each hydrant.

360 Degree Inlet Orientation



WOODFORD

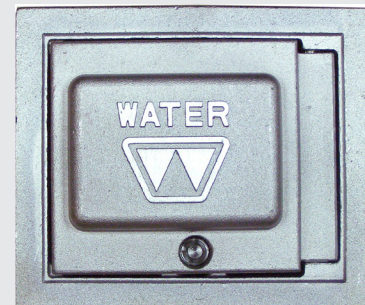


Anti-Siphon Close Coupled Trimline Wall Hydrants Model 75/B75/RB75



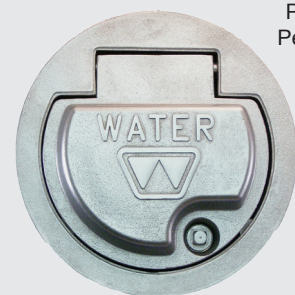
MODEL 75

Exterior Finish:
Standard - Chrome (CH)
Optional - Brass (BR) Polished Brass (PB)



MODEL B75

Square Box & Door - Optional: Flat Door (F)
Exterior Finish:
Standard - Chrome (CH)
Optional - Brass (BR) Polished Brass (PB)



Patent
Pending

MODEL RB75

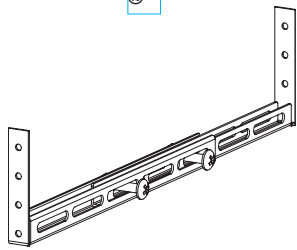
Optional Round Box & Door
Exterior Finish:
Standard - Chrome (CH)
Install through 6" diameter hole.

When ordering, specify model number, and finish.

WOODFORD



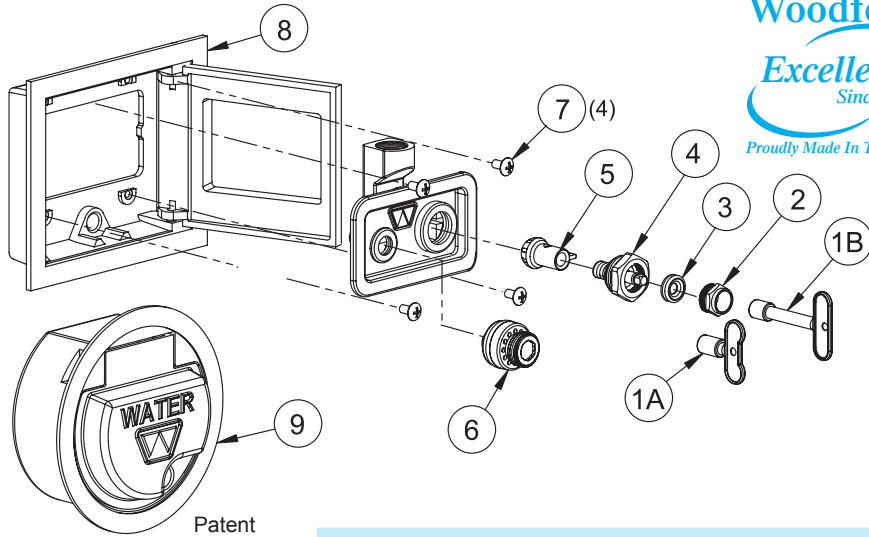
Woodford
Excellence
 Since 1929
 Proudly Made In The U.S.A.



**Mounting Bracket
 Included With B75**

Adjust and fasten bracket in stud wall. Attach box assembly to bracket for easy installation.

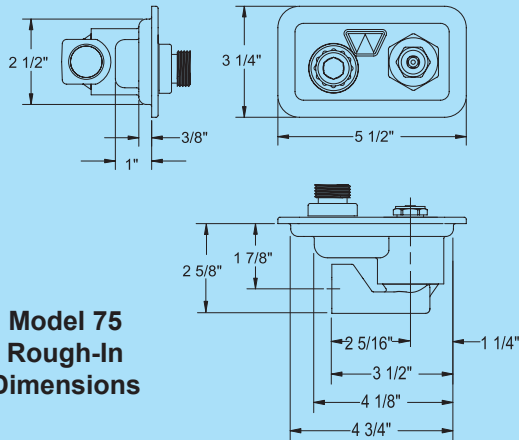
May be ordered as separate item:
RK-Bracket



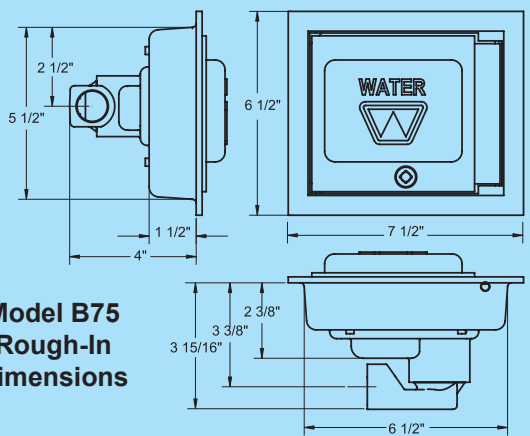
Patent Pending

MODEL 75/B75/RB75 PARTS LIST

ITEM	PART#	DESCRIPTION
1A	50009	Tee Key
1B	50010	Long Tee Key (Box Models)
2	30109 30107	Packing Nut - chrome Packing Nut - brass
3	30247	Packing
4	55183 55182	Head Nut Assembly - chrome Head Nut Assembly - brass
5	55105	Yoke Nut & Valve Assembly
6	34HF-CH 34HF-BR	Vacuum Breaker - chrome Vacuum Breaker - brass
7	51049	Truss Head Screws (4)
8	74BX	Square Box/Door Assembly - chrome standard
9	RB74BX	Round Box/Door Assembly - chrome
	RK-75	Chrome Repair Kit (Includes Items 1-5)



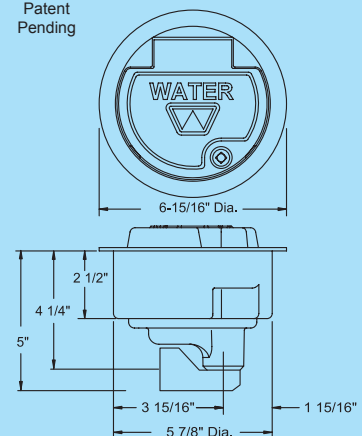
**Model 75
 Rough-In
 Dimensions**



**Model B75
 Rough-In
 Dimensions**

Patent Pending

**Model RB75
 Rough-In
 Dimensions**



Manufactured under one or more of the following patents: U.S. Patents: 3,414,001; 4,178,956; 4,316,481; 4,532,954
 D216,790; D216,791; D277,365; D277,366; Canada Patents: 852,529; 865,995; 1,146,438

For more information contact...

WOODFORD MANUFACTURING COMPANY

2121 Waynoka Road, Colorado Springs, Colorado 80915 • Phone: (800) 621-6032 • Fax: (800) 765-4115
 To view our complete product line visit: www.woodfordmfg.com or email: sales@woodfordmfg.com
 A Division Of WCM Industries, Inc.