



Woodford Utility Yard Hydrants are intended for irrigation purposes and designed for use where year-round availability of water is required. Sturdy construction make these hydrants rugged and dependable. Accidental damage and vandalism are minimized. Hydrants are available with choice of automatic or manual close lever handle or wheel handle.

**SUGGESTED USES:**

Chemical plants; oil refineries; outdoor paved areas of schools, factories and office buildings; wading pools; outdoor ice rinks; stock and water tanks.

**Features:**

- Automatic draining occurs through 1/8" NPT drain hole when hydrant is shut off to prevent freezing.
- Outlet can be located at any height above ground level. Adjust bury depth accordingly.
- All working parts are removable through the top of the hydrant.
- Lever handles can be easily removed to prevent unauthorized usage.

**Specifications:**

**INLET:** Model U100: 1" Brass Valve Body, FPT

Model U125: 1 1/4" Brass Valve Body, MPT

**OUTLET:** Model U100: 1" FPT Galvanized Tee

Model U125: 1 1/4" FPT Galvanized Tee

**HANDLES:** Almag casting Lever Handles, Wheel Handle (see descriptions below)

**(A) Automatic closing lever handle** should be used in public places where supervision is inadequate to assure shut-off of water.

**(M) Manual closing lever handle** should be installed where water is continuously used over a period of time.

**(W) Wheel Handle** to be operated in the *full open* position only.

**OPERATING ROD:** 1/4" galvanized pipe

**CASING:** 1 1/4" galvanized pipe

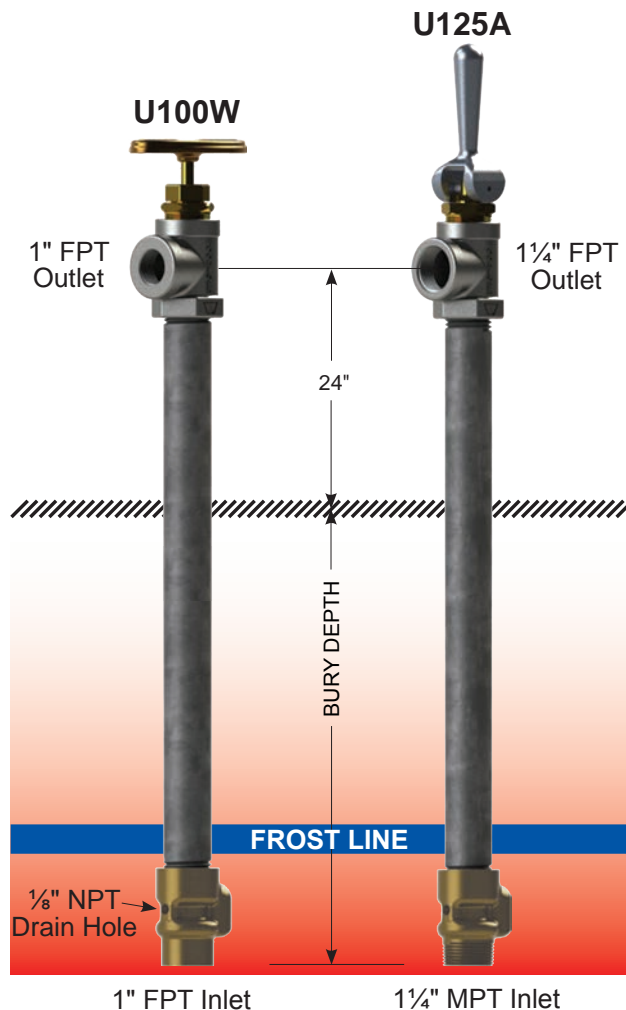
**MAX. PRESSURE:** 125 PSI

# Freezeless

## UTILITY Yard Hydrants

### U100 - 1" FPT Inlet

### U125 - 1 1/4" MPT Inlet



**SHIPPING WEIGHT**

Bury Depth (Ft)	1	2	3	4	5	6	7
Weight U100 (lbs)	12	14.7	17.4	20	22.8	25.5	28.1
Weight U125 (lbs)	13	16	19	22	25	28	31

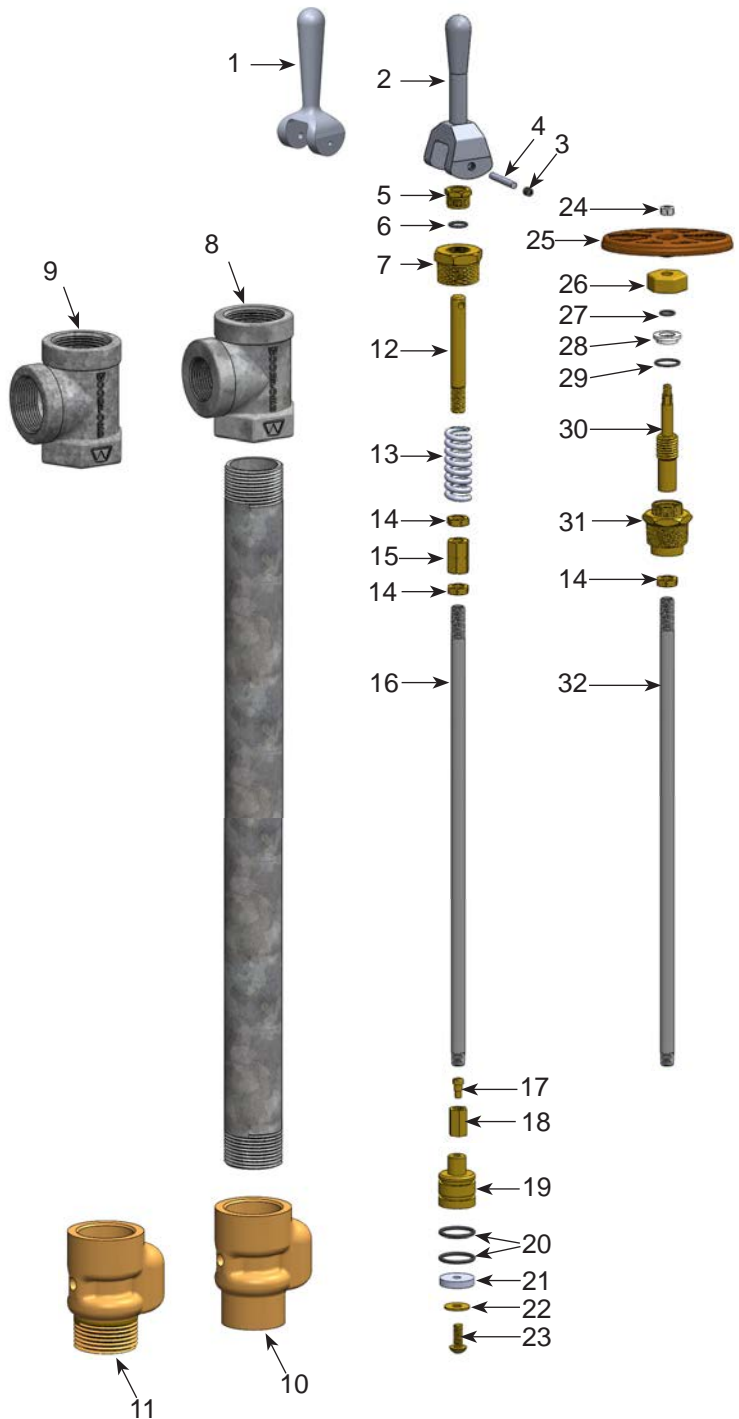


**WOODFORD**



**MODEL U100 & U125 PARTS LIST**

ITEM	PART#	DESCRIPTION
1	41037	Automatic Close Handle
2	41025	Manual Close Handle
3	41201	Set Screw
4	41202	Handle Pin
5	41029	Packing Nut
6	41014	O-ring
7	41067	Bonnet Nut
8	41238	1 1/4" X 1 1/4" X 1" U100 Head
9	41237	1 1/4" X 1 1/4" X 1 1/4" U125 Head
10	41040	1" FPT Inlet Valve Body (U100)
11	41064	1 1/4" MPT Inlet Valve Body (U125)
12	41632	Stem
13	41068	Spring
14	41624	1/4" NPSM Locknut
15	41631	Coupling
16	U100/U125 OPERATING ROD (AUTO/MANUAL CLOSE HANDLE)	
	42126	1 FT. BURY (31 1/4" LONG)
	42107	2 FT. BURY (43 1/4" LONG)
	42108	3 FT. BURY (55 1/4" LONG)
	42109	4 FT. BURY (67 1/4" LONG)
	42110	5 FT. BURY (79 1/4" LONG)
	42111	6 FT. BURY (91 1/4" LONG)
	42112	7 FT. BURY (103 1/4" LONG)
17	41013	SWIVEL SCREW
18	41012	SWIVEL COUPLING
19	41055	PLUNGER
20	41056	O-RING (2-REQ'D)
21	41057	RUBBER SEAT WASHER (U150)
22	41058	BRASS WASHER
23	41059	SCREW
24	10206	5/16" NUT
25	10633	OVAL WHEEL HANDLE
26	41005	BONNET NUT
27	41215	O-RING
28	41007	PACKING GLAND
29	41056	O-RING
30	41145	STEM SCREW
31	41061	STUFFING BOX
32	U100/U125 OPERATING ROD (WHEEL HANDLE)	
	42156	1 FT. BURY (33 11/16" LONG)
	42157	2 FT. BURY (45 11/16" LONG)
	42158	3 FT. BURY (57 11/16" LONG)
	42159	4 FT. BURY (69 11/16" LONG)
	42160	5 FT. BURY (81 11/16" LONG)
	42161	6 FT. BURY (93 11/16" LONG)
	42162	7 FT. BURY (105 11/16" LONG)
	41060	Plunger Repair Kit (Includes Items 17-23)



*For more information contact...*

**WOODFORD MANUFACTURING COMPANY**

2121 Waynoka Road, Colorado Springs, Colorado 80915 • Phone: (800) 621-6032 • Fax: (800) 765-4115  
 To view our complete product line visit: [www.woodfordmfg.com](http://www.woodfordmfg.com) or email: [sales@woodfordmfg.com](mailto:sales@woodfordmfg.com)  
 A Division Of WCM Industries, Inc.