

WOODFORD



# Mild Climate Wall Hydrant with Integral Water Supply Stop And Modular Box

## MB221•MB224•MB226

The MB221, MB224 & MB226 are water supply boxes with an integral water supply stop that allows for servicing of the valve at the hydrant without shutting off the building water supply. The boxed hydrants are intended for irrigation purposes and use in interior or exterior applications where freezing temperatures do not occur.

### FEATURES:

- Modular Box System
- Box made out of high impact and non-degradable composite material
- Replaceable 14 Ga 304 Stainless Steel Door & Fascia
- Door and Fascia replaceable without removing box or hydrant
- Standard Tee Key or Optional Cylinder Lock
- 3/4" male hose nozzle
- 1/2-14 FPT Inlet
- Red brass head
- Integral water supply stop
- EPDM packing and seats
- Spring loaded door for easy access
- Includes both polycarbonate handle and metal tee key with tamper resistant lock shield
- Max Rated Pressure: 125 p.s.i.
- Max Rated Temperature: 120° F



### SPECIFICATIONS:

**MB221:** Offers No Anti-Siphon Protection

**MB224:**  
NIDEL® 34HF Anti Siphon Vacuum Breaker

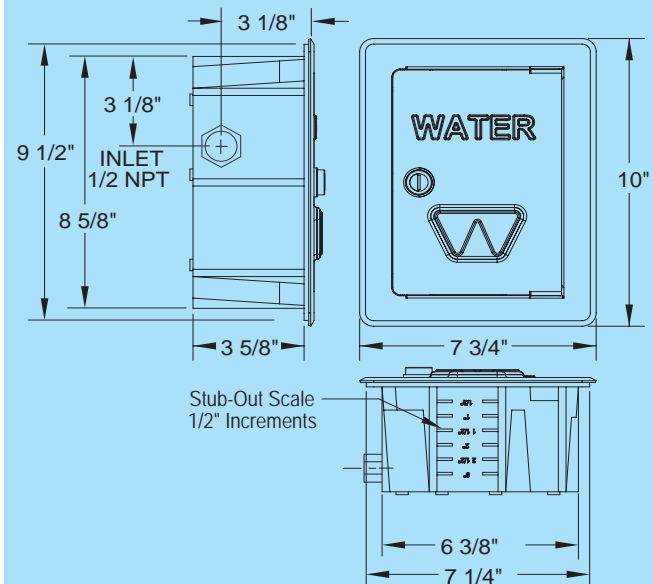
- ASSE 1011, CSA, IAPMO   
- No spray back

**MB226:**  
50HF dual check Backflow Preventer

- Patent #8,042,565 and patents pending
- ASSE 1052, IAPMO  
- Field Testable
- Two Independent Check Valves
- Drains automatically when hose is removed
- No spray back



### Rough-In Dimensions



### Modular Box System



Composite Box

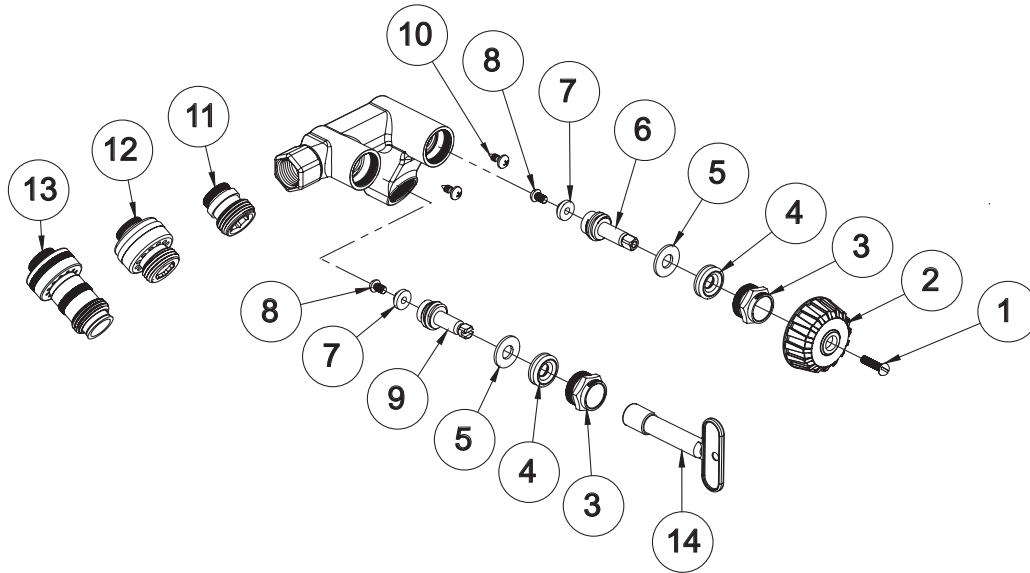
Stainless Steel  
Door and Fascia Assembly

See reverse side for available  
Door & Fascia Repair Kit.

For Installation Instructions go to  
[www.woodfordmfg.com](http://www.woodfordmfg.com) or call 1-800-621-6032

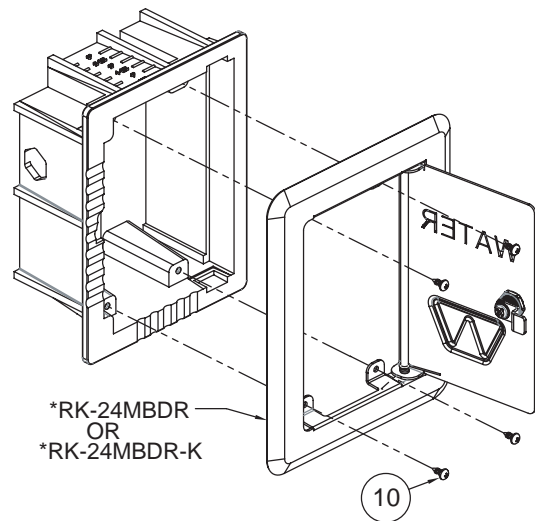
When ordering, specify model number

**WOODFORD**



**MODEL MB221, MB224 & MB226 PARTS LIST**

ITEM	PART#	DESCRIPTION
1	30002	Handle Screw - Brass
2	30233	Wheel Handle - Brown
3	30107	Packing Nut - Brass
4	30247	EPDM Packing
5	30105	Packing Support Washer
6	30104	Operating Stem
7	30008	Valve Seat Washer
8	30009	Washer Screw
9	30108	Stem Screw w/Screwdriver Slot
10	30151	Faucet/Fascia Mounting Screws (6)
11	55435	Hose Nozzle w/O-Ring (For MB221)
12	34HF-BR	34HF Vacuum Breaker - Brass (For MB224)
13	50HF-BR	50HF Backflow Preventer - Brass (For MB226)
14	50010	Tee Key
	RK-H34	Repair Kit (Includes 1 ea. Items 1-8)



**\*Replaceable Stainless Steel Door & Fascia RK's**

**RK-24MBDR & RK-24MBDR-K** models include:  
Stainless Steel Door & Fascia *Only*

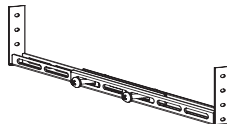
**RK-24MBDR** | Includes Tee Key Lock

**RK-24MBDR-K** | Includes Key Cylinder Lock

- Shipped in individual cartons
- Shipping Weight: 2 lbs-3 oz

**RK-Bracket - Sold Separately**

Bracket may be used to mount or support the box in a stud wall. Hole centers are provided on back of box for drilling (2) 9/32" holes. Bracket extends from 10" to 19".



**RK-24MBDR**



**RK-24MBDR-K**

Manufactured under one or more of the following patents and patents pending: U.S. Patents: 3,414,001; 3,543,786; 4,178,956; 4,316,481; 8,042,565; D216,790; D216,791; D277,365; D277,366; Canada Patents: 822,458; 852,529; 865,995

*For more information contact...*

**WOODFORD MANUFACTURING COMPANY**

2121 Waynoka Road, Colorado Springs, Colorado 80915 • Phone: (800) 621-6032 • Fax: (800) 765-4115

To view our complete product line visit: [www.woodfordmfg.com](http://www.woodfordmfg.com) or email: [sales@woodfordmfg.com](mailto:sales@woodfordmfg.com)

A Division Of WCM Industries, Inc.