

The Woodford MB65 & MB67 are freezeless commercial wall hydrants housed in a secure modular box with a replaceable door and fascia assembly. Hydrants drain as handle is shut off, *even if hose is attached*. All models are intended for irrigation purposes.

- Modular Box System
- 14 Ga 304 Stainless Steel Door & Fascia
- Door and Fascia replaceable without removing box or hydrant
- Box made out of high impact and non-degradable composite material
- Two door lock styles are available:
  - Tee Key - Standard
  - Key Cylinder Lock - Optional

**SPECIFICATIONS:**

**MODEL 65:** ASSE 1019-B • IAPMO®

Meets Gov. Spec WW-P-541b

**SINGLE CHECK ANTI SIPHON VACUUM BREAKER**

- NIDEL® Model 34HA with 3/4 inch male hose thread
- ASSE 1011 • CSA • IAPMO®



**MODEL 67:** IAPMO®

**PATENTED HIGH FLOW DOUBLE CHECK BACKFLOW PREVENTER**

- NIDEL® Model 50HA with 3/4 inch male hose thread
- ASSE Standard 1052 approved
- Field Testable
- Two Independent Check Valves
- No spray back

**FEATURES Common to both hydrants:**

- Chrome (CH) Head standard. Optional: Brass (BR)
- Permanent type brass valve body with hemispherical seating surface.
- One piece valve plunger accurately controls both flow and drainage with a minimum number of turns and without need for adjustments.
- Drains under nozzle away from hands of operator and with a lip to divert water away from building.
- Copper casing tubes.
- No Lead Solder on all solder joints.
- Hardened stainless steel stem resists damage.
- Loose key operates hydrant.
- 3/8" solid brass operating rod.
- Four inlet options (See page 2)
- Max Pressure: 125 p.s.i.
- Max Temperature: 120° F

**Specify as follows:**

Wall hydrant shall be Woodford Model MB65 (concealed box type), with single check ASSE 1011 Vacuum Breaker or MB67 (concealed box type), automatic draining with ASSE 1052 approved NIDEL® Model 50HA high flow double check backflow preventer. 3/4" inlet and outlet (specify type of inlet). Hardened stainless steel operating stem and one-piece valve plunger to control both flow and drain functions. Exterior replaceable modular door and fascia finish to be brushed stainless steel. Loose tee key to be furnished with each hydrant. Intended for irrigation purposes. Wall thickness to be \_\_\_\_\_ inches.

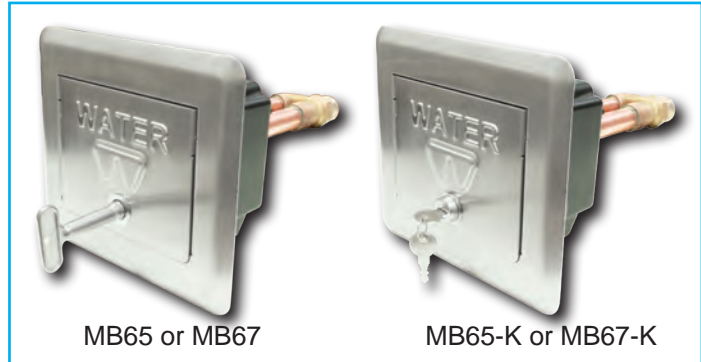
**For Installation Instructions go to.....  
www.woodfordmfg.com or call 1-800-621-6032**

# Freezeless Wall Hydrants



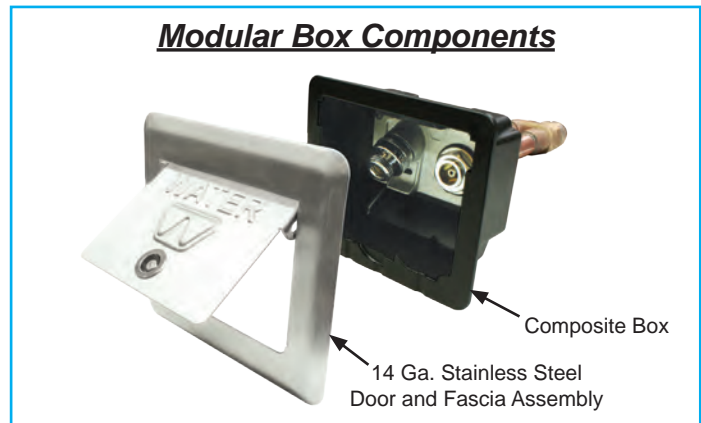
**With Composite Modular Box and Patented Model 50 High Flow Double Check Backflow Preventer**

## Model MB65 & MB67



Model	Includes
<b>MB65 C or P</b>	Hydrant, Box & Tee Key
<b>MB67 C or P</b>	Hydrant, Box & Tee Key
<b>MB65 C or P-K</b>	Hydrant, Box & Key Cylinder Lock
<b>MB67 C or P-K</b>	Hydrant, Box & Key Cylinder Lock
<b>MB65BX</b>	Box, Door & Fascia Only
<b>RK-65MBDR</b>	Door & Fascia Only

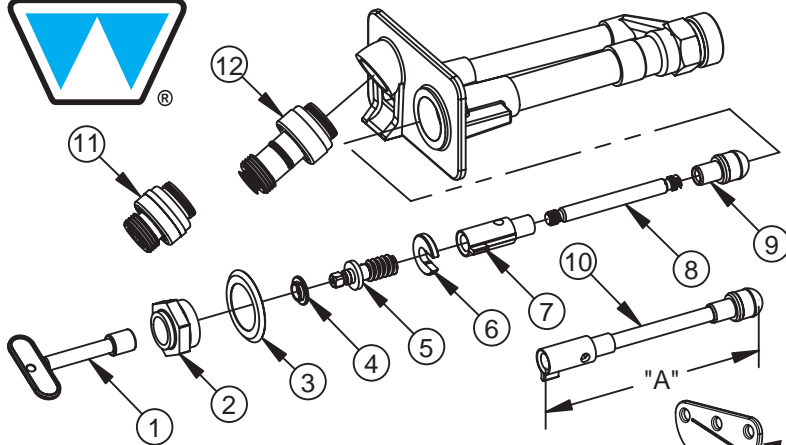
See page 2 for:  
*Inlets, Rough-In Dimensions, Lengths and Weights*



**RK-Bracket - Sold Separately**  
Bracket may be used to mount or support the box in a stud wall. Hole centers are provided on back of box for drilling (2) 9/32" holes. Bracket extends from 10" to 19".

**When ordering, specify model, inlet and wall thickness**

**WOODFORD**



**MODEL 65 & 67 PARTS LIST**

ITEM	PART #	DESCRIPTION
1	50010	Long Tee Key (Box Models)
2	50264	Head Nut – CH chrome
	50265	Head Nut – BR brass
3	50584	I.D. RING
4	50252	Stem Washer
5	55062	Stem Screw
6	50251	"C" washer
7	51014	Yoke Nut
8	Operating Rod (Sold With Item 10 Only)	
9	50250	Plunger
10	554XX	Operating Rod Assembly (Includes Items 7,8,9) (Select required assembled length from table)
11	34HA-CH	34HA Vacuum Breaker—chrome (Model 65)
	34HA-BR	34HA Vacuum Breaker—brass (Model 65)
12	50HA-CH	50HA Backflow Preventer—chrome (Model 67)
	50HA-BR	50HA Backflow Preventer—brass (Model 67)
13	55063	Wall Clamp Assembly
	RK-65	Chrome Repair Kit (Includes Items 1, 2, 4-7 & 9)

Operating Rod Assy. "A"		
Wall Thickness	Length	Part No.
CC	3 1/2"	55401
4	4 1/2"	55402
6	6 1/2"	55404
8	8 1/2"	55406
10	10 1/2"	55408
12	12 1/2"	55410
14	14 1/2"	55412
16	16 1/2"	55414
18	18 1/2"	55416
20	20 1/2"	55418
22	22 1/2"	55420
24	24 1/2"	55422

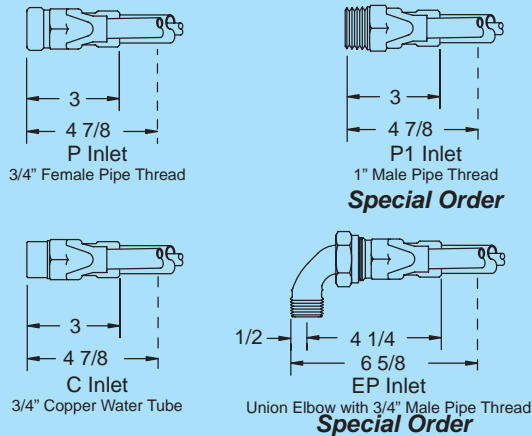


**RK-65MBDR**  
**With Tee Key Lock**  
 Replaceable Stainless Steel  
 Door & Fascia  
 Shipping Wt: 1.7 lbs.

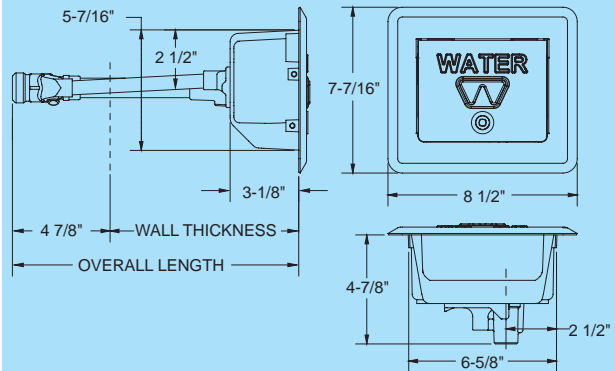


**RK-65MBDR-K**  
**With Cylinder Lock**  
 Replaceable Stainless Steel  
 Door & Fascia  
 Shipping Wt: 1.7 lbs.

**Inlet Options**



**Rough-In Dimensions**



Wall Thickness (Inch)	CC	4	6	8	10	12	14	16	18	20	22	24
Overall Length (C & P Inlets)	7 7/8	8 7/8	10 7/8	12 7/8	14 7/8	16 7/8	18 7/8	20 7/8	22 7/8	24 7/8	26 7/8	28 7/8
*Shipping Wt. (Lbs)	6.4	7.0	7.4	7.8	8.2	8.6	9.0	9.4	9.8	10.2	10.6	11.0

Products are manufactured under one or more of the following U.S. Patents: 3,414,001; 4,178,956; 4,316,481; 4,532,954; 8,042,565 B2 D216,790; D216,791; D277,365; D277,366; Canada Patents: 852,529; 865,995; 1,146,438

For more information contact...

**WOODFORD MANUFACTURING COMPANY**

2121 Waynoka Road, Colorado Springs, Colorado 80915 • Phone: (800) 621-6032 • Fax: (800) 765-4115  
 To view our complete product line visit: [www.woodfordmfg.com](http://www.woodfordmfg.com) or email: [sales@woodfordmfg.com](mailto:sales@woodfordmfg.com)  
 A Division Of WCM Industries, Inc.