

**FOR NON-FREEZING AREAS ONLY.**

# Close Coupled Wall Hydrants




**With Patented Model 50  
High Flow Double Check  
Backflow Preventer**

## Model 86

The Model 86 is a backflow protected wall hydrant designed for irrigation purposes in mild climate areas or within temperature controlled malls and plazas.

### SPECIFICATIONS: PATENTED HIGH FLOW DOUBLE CHECK BACKFLOW PREVENTER

- NIDEL® Model 50HF with 3/4 inch male hose thread
- ASSE Standard 1052 approved 
- Field Testable
- Two Independent Check Valves
- Drains automatically when hose is removed
- No spray back

### FEATURES:

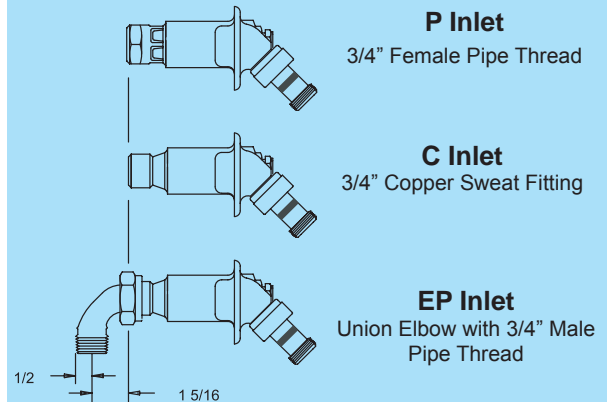
- Permanent type brass valve body with hemispherical seating surface.
- No Lead Solder on all solder joints.
- Hardened stainless steel stem resists damage.
- EPDM packing with adjustable packing nut
- Loose key operates hydrant.
- Three inlet options (See chart at right)
- Max Pressure: 125 p.s.i.
- Max Temperature: 120° F
- Shipping Weight: 3.3 lbs



**Model 86**

Exterior Finish:  
Standard - Chrome (CH)  
Optional - Brass (BR) Polished Brass (PB)

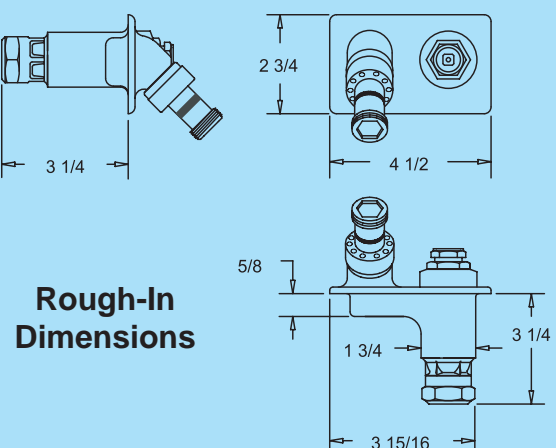
### Inlet Descriptions



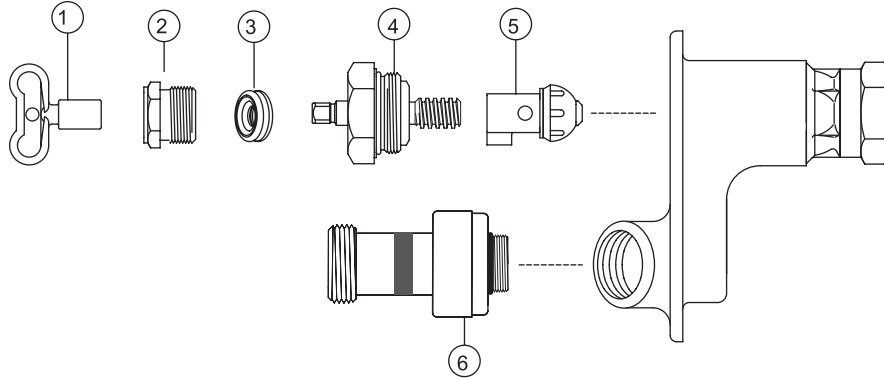
**For Installation / Troubleshooting Instructions go to  
[www.woodfordmfg.com](http://www.woodfordmfg.com) or call 1-800-621-6032**

### Specify as follows:

Wall hydrant shall be Woodford Model 86 with ASSE 1052 approved NIDEL® Model 50HF high flow double check backflow preventer. 3/4" inlet and outlet (specify type of inlet). Hardened stainless steel operating stem. Packing nut secured with lock nut. Permanent type valve body with large hemispherical seating surface. Exterior finish to be Chrome Plated (options: Polished Brass or Rough Brass). Loose tee key to be furnished with each hydrant.



**When ordering, specify model number, inlet and finish.**



#### MODEL 86 PARTS LIST

ITEM	PART#	DESCRIPTION
1	50009	Tee Key
2	30109 30107	Packing Nut - chrome Packing Nut - brass
3	30247	Packing
4	55177 55176	Head Nut Assembly - chrome Head Nut Assembly - brass
5	55105	Yoke Nut & Valve Assembly
6	50HF-CH 50HF-BR	NIDEL® 50HF Backflow Preventer - chrome NIDEL® 50HF Backflow Preventer - brass
	RK-71	Chrome Repair Kit (Includes Items 1-5)

Manufactured under one or more of the following patents: U.S. Patents: 3,414,001; 4,178,956; 4,316,481; 4,532,954; 8,042,565 B2, D216,790; D216,791; D277,365; D277,366; Canada Patents: 852,529; 865,995; 1,146,438

*For more information contact...*

### WOODFORD MANUFACTURING COMPANY

2121 Waynoka Road, Colorado Springs, Colorado 80915 • Phone: (800) 621-6032 • Fax: (800) 765-4115

To view our complete product line visit: [www.woodfordmfg.com](http://www.woodfordmfg.com) or email: [sales@woodfordmfg.com](mailto:sales@woodfordmfg.com)

A Division Of WCM Industries, Inc.