



Range and Rangetop Filler Trim Installation

wolfappliance.com 800.222.7820

DUAL FUEL RANGE AND SEALED BURNER RANGETOP CONTENTS

2	Trim, black
2	Trim, stainless steel
1	Tape, foam

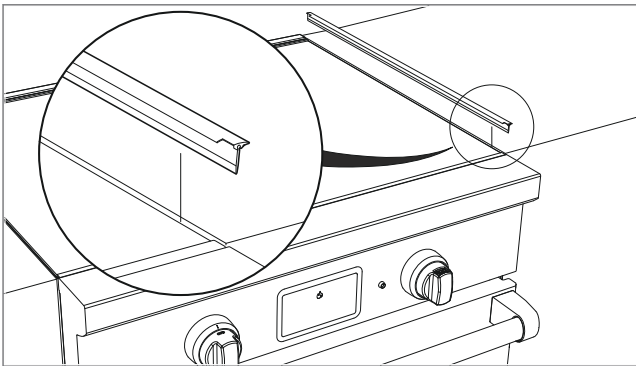
INDUCTION RANGE CONTENTS

2	Trim, black
1	Tape, foam

Note: This trim is designed to reduce 1/16" to 5/16" reveals between the unit and the adjacent countertop. Dual fuel ranges and sealed burner rangetops include black and stainless steel trim for customer preference.

RANGE AND RANGETOP FILLER TRIM INSTALLATION

- 1 Place the foam tape provided on the vertical portion of the filler trim. Smaller reveals may only require foam on one side. Larger reveals may require foam on both sides.
- 2 For induction ranges only, verify the notches on the trim are toward the cooktop.



- 3 Place the trim between the side of the unit and the countertop, then press the trim down to install.

