

WOLF DUAL FUEL FRONT LEG EXTENSION COVERS INSTALLATION INSTRUCTIONS

Front Leg Extension Cover Model Numbers

- **LEGCOV/3.3** – 3-1/4" Front Leg Extension Cover for all Dual Fuel Ranges with side panel height of 35-7/8" to 36-1/4"
- **LEGCOV/3.8** – 3-3/4" Front Leg Extension Cover for all Dual Fuel Ranges with side panel height of 36-3/8" to 36-7/8"
- **LEGCOV/4.3** – 4-1/4" Front Leg Extension Cover for all Dual Fuel Ranges with side panel height of 37" to 37-1/2"
- **LEGCOV/4.8** – 4-3/4" Front Leg Extension Cover for all Dual Fuel Ranges with side panel height of 37-5/8" to 38"

Kit Contains:

(3) Lower Leveling Leg Covers

IMPORTANT NOTE

All 30" and 36" Dual Fuel Ranges require 2 Lower Leveling Leg Covers. All 48" and 60" Dual Fuel Ranges require 3 Lower Leveling Leg Covers.

Remove Existing Lower Leg Covers

Step 1:

Pull Dual Fuel Range away from wall and unplug the unit.

⚠ WARNING

BE SURE TO DISCONNECT POWER TO THE DUAL FUEL RANGE BEFORE INSTALLING FRONT LEG EXTENSION COVER.

Step 2:

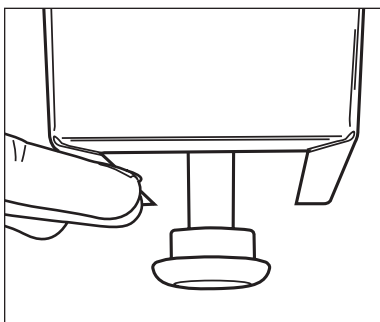
Tip Dual Fuel Range backward so front legs are elevated off of the ground.

⚠ WARNING

BE SURE THAT UNIT IS SUPPORTED ALONG BACK EDGE. DO NOT ATTEMPT TO REMOVE LOWER LEGS UNTIL UNIT IS SECURE.

Step 3:

Push factory installed bottom cover up to expose leg leveling bolt.

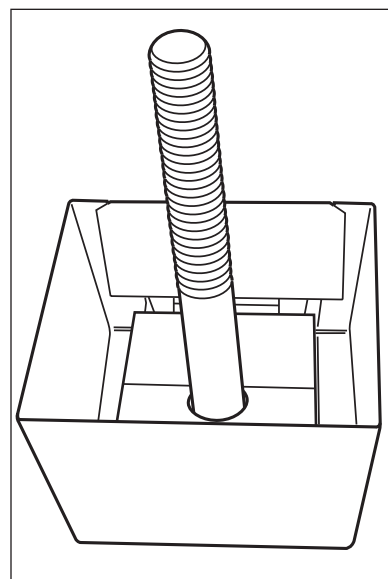


Step 4:

Unscrew leg leveling bolt and remove lower cover. Discard lower cover.

Step 5:

Insert leg leveling bolt into replacement cover and screw the bolt with the cover attached into the bottom of the Range.



Step 6:

Repeat Steps 3-5 for all Range legs (2 for 30" and 36" units, 3 for 48" and 60" units).

Step 7:

Lower the Dual Fuel Range and adjust height of each leveling leg until Range is level.

Step 8:

Plug in unit and slide unit back to original position.

