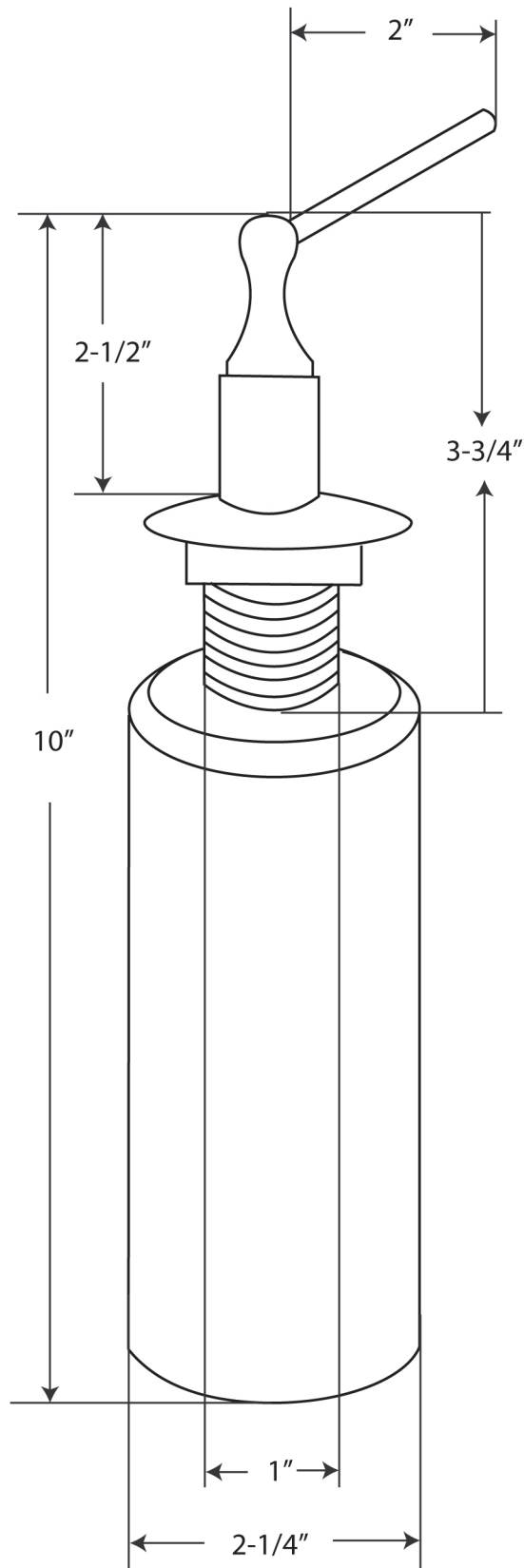


PART NO. D217

**SPECIFICATION SHEET**

Standard soap and lotion dispenser. Solid Brass.



date: 11/23/05