

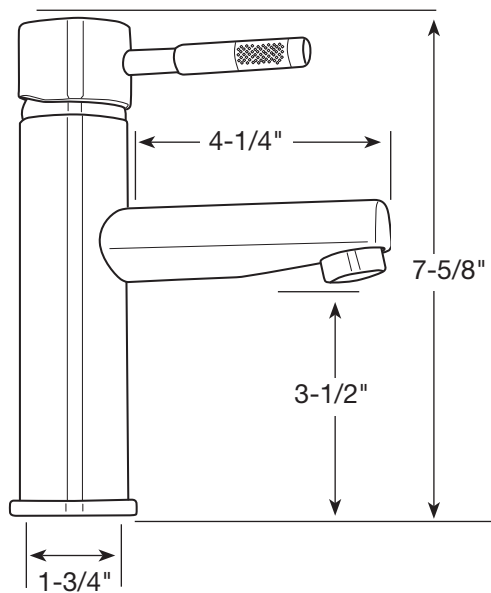
MODEL	DESCRIPTION	FINISH	PART #
MODERN SERIES LVH1000	EverHot Lead Free Hot/Cold Water Dispenser Shipping Wt: 12 lbs.	FAUCET & EVERHOT TANK	
		CHROME	WI-LVH1000HC-CH
HOT/COLD	Includes faucet, EverHot tank, 3' cord & tubing. Modern design • adjustable flow control with 1/4 turn ceramic disc valve for filling pitchers and pots • unique single handle, slide left for hot, slide right for cold Certified to NSF/ANSI Standard 61 and California Proposition 65. Chiller sold separately (see EverCold).	FAUCET ONLY	
		SATIN NICKEL	WI-LVH1000HC-SN
FAUCET ONLY	Shipping Wt: 5 lbs.	CHROME	WI-FA1000HC-CH
		SATIN NICKEL	WI-FA1000HC-SN

Please call for pricing on any Finish/Faucet combinations not listed.

A separate air gap is available for reverse osmosis on this model.

UPGRADE SYSTEM TO A STAINLESS STEEL TANK FOR \$100.
Add **-SS** to end of part number

Dimensions:
Height: 7-5/8"
Reach: 4-1/4"
Spout Diameter: 1"
Hole Size Required: 1-1/4"



**MODERN
HOT & COLD**



Meets National Lead Laws including NSF 372 - 2011 Drinking Water System Components - Lead Content and S.3874, Reduction of Lead in Drinking Water Act, CAAB 1953 and VT Act 193.

The Everhot mark is used under license from Bradford White Corp.

MAXIMUM recommended line pressure for this product is 75 PSI. Pressure above 75 PSI indicates the absence of a properly functioning water pressure regulator at the property. Excessive water pressure poses a risk of property damage to you. Problems due to excessive water pressure are NOT covered by this product's warranty. **BEFORE** installation of any Water, Inc. product, confirm that water supply pressure does not exceed 75 PSI. Questions? Contact Water, Inc. Service Dept. at 800.322.WATER(9283)

Installations must comply with appropriate plumbing codes. Do not use vinyl tubing to connect any Water, Inc. Product to a water source. Polyethylene tubing is recommended for cold water applications.