

MODEL

DESCRIPTION

AIRGAP

Wall Mounted AIRGAP

Part # **WI-RO-WALL-AIRGAP**

Shipping Wt: 1lb.

Point-Of-Use AirGap for reverse osmosis (RO) water treatment systems

Installs under sink on wall or cabinet side panel.

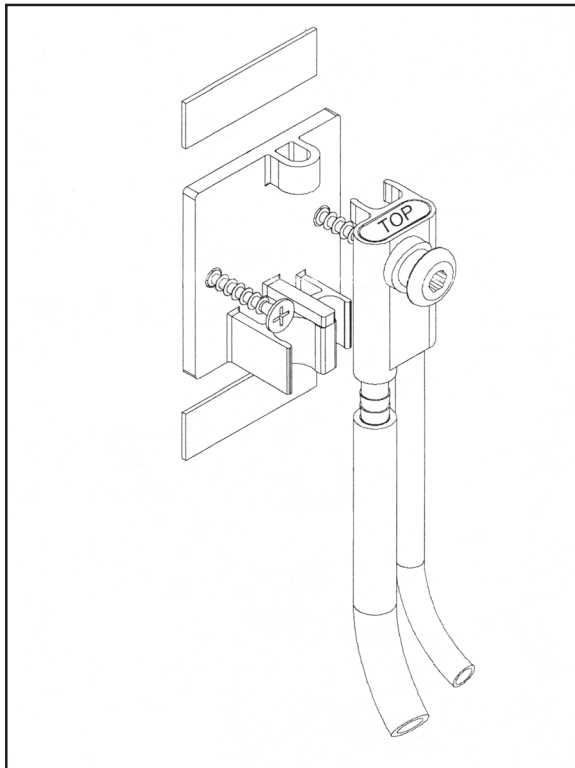
AirGap has 1" of free flow

0.5 gallons per minute maximum water flow

1/4" O.D. polyethylene inlet tubing

3/8" O.D. polyethylene outlet tubing

Dimensions: 2" x 2" x 2"



MAXIMUM recommended line pressure for this product is 75 PSI. Pressure above 75 PSI indicates the absence of a properly functioning water pressure regulator at the property. Excessive water pressure poses a risk of property damage to you. Problems due to excessive water pressure are NOT covered by this product's warranty. **BEFORE** installation of any Water, Inc. product, confirm that water supply pressure does not exceed 75 PSI. Questions? Contact Water, Inc. Service Depart. at 800.322.WATER(9283)