

## PRODUCT CODE

WSM-252W

## PRODUCT DESCRIPTION

The new WSM-252W is the WiFi enabled version of the Warmup® WSM-63 outdoor control panel. The addition of WiFi capability to this control panel has three major benefits: no external sensors, remote access via the app, and advance operation based on weather forecast data. Once installed, the Warmup WSM mobile application can be used to control the panel manually or automatically based off of local weather forecast. For automatic control, simply set the probability percentage you'd like for your system to activate or, enable push notifications so that the mobile application alerts you of the activation with an option to override.



The WSM-252W control panel has two 63A/4-pole contacts that are designed to handle a load of up to 252 amps at 2-phase. At 3-phase, the same control will handle a total capacity of 378 amps.

**Operate** WSM/WSMM snow melting installations outdoors

The WSM-252W controller must be mounted indoors. Despite its NEMA 4x enclosure, the device must be within range of the home's WiFi signal. To ensure the long life of electronics in the panel, avoid mounting locations with outdoor exposure and moisture.

## SPECIFICATION

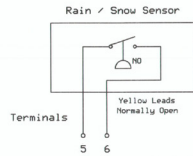
<b>Enclosure</b>	NEMA 4
<b>Relay</b>	2 x 63A/4-pole relay contactor 100-600V relay voltage
<b>Sensor</b>	120V coil for optional sensor connections
<b>Amps capacity</b>	Total capacity of 252 Amps at 240V/2-phase Total Capacity of 378 Amps at 277V/3-phase
<b>Approval</b>	UL-approved components (including WiFi Relay)
<b>WiFi Voltage</b>	120

## OPERATION

The panel can be operated manually via the Timer function. The timer can be set for a variety of periods. The default is 1 cycle of 10 hours. Pressing the Timer button on the door of the enclosure starts the timer.

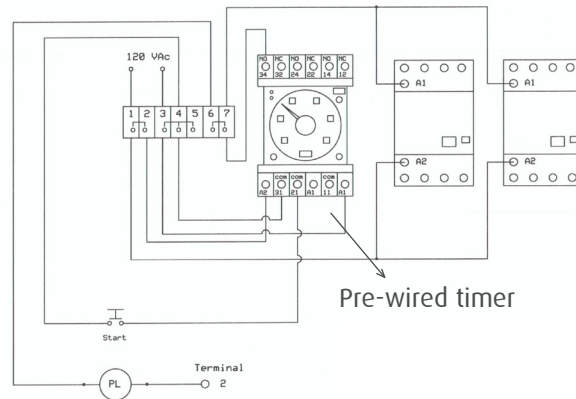
For optimal operation, download the free "WARMUP WSM" app for iPhone and Android devices. Create an account and follow the instructions to connect your device.

### INSTALLATION DIAGRAM



Note: snow sensors can be wired into the WSM-252W but will occupy a redundant place. The device will first function based on WIFI signals, or can be overwritten by the manual Timer function.

External sensors bypass all the above and are not recommended.



Set of two (2) 4-Pole 63A relays. Coil at 120V.

### WARRANTY

When installed according to the installation manual, the WSM-252W is covered with Warmup's 1-year manufacturer warranty.

### TECHNICAL SUPPORT

Warmup is available 24/7/365 at (888) 927-6333. For quotes, layouts and specific technical information, contact us at:

**Warmup USA**  
52 Federal Rd #1F, Danbury, CT 06810  
(888) 927-6333  
us@warmup.com

**Warmup CANADA**  
(888) 592-7687

### RELATED PRODUCTS

- WSM Snow Melting Cable - see WSC-0726
- WSMM Snow Melting Mat - see WSC-0729