



Tubular Brass

Innovator® 591/592
For most regular tubs

Innovator® 598/599
For most deeper tubs

Sturdy 1.5" 17g Tubular Brass Slip-Joint Assembly

SPECIFICATIONS

FEATURES:

- Eliminates all screws
- Eliminates leaks due to loose overflow attachment
- Eliminates dual inventory of one- and two-hole overflow plates
- Metal strainer body for cast iron or plastic tubs
- Designed for heavy-duty use in hotels, motels, and rental properties

APPROVALS:

- Manufactured in compliance with ASME A112.18.2-2005/CSA B125.2-2005.

PATENTS (Innovator®):

- See <http://watcomfg.com/Watco/patents/> for Details

 **ADA** PRESFLO® (PF) and Foot Actuated (FA) only

OPTIONS:

- Brass Ferrules (add code "F" to part number)
- New York Lay-Down Tee (add code "NY" to part number)
- Slip-'N-Solder (no slip joints; code "U")
- Special lengths available:
 - Overflow extension (code "EXlength")
example: EX6
 - Drain extension (code "Dlength") example: D4
- W-Overflow Plate (see other side)

See price list for complete item numbers and available options.
When ordering, please specify complete item number and any applicable option codes.



For More Information Contact:
WATCO Manufacturing Company
1220 South Powell Road
Independence, MO 64057-2724
Ph. 816-796-3900 • FAX 816-796-0875
www.watcomfg.com

THREAD SIZE (Strainer Body and Drain Elbow):

- 1 1/2" – 1 1/2 NPSM (Coarse Thread)
- 1.865" Major Diameter (outside thread diameter)
- 11.5 threads per inch

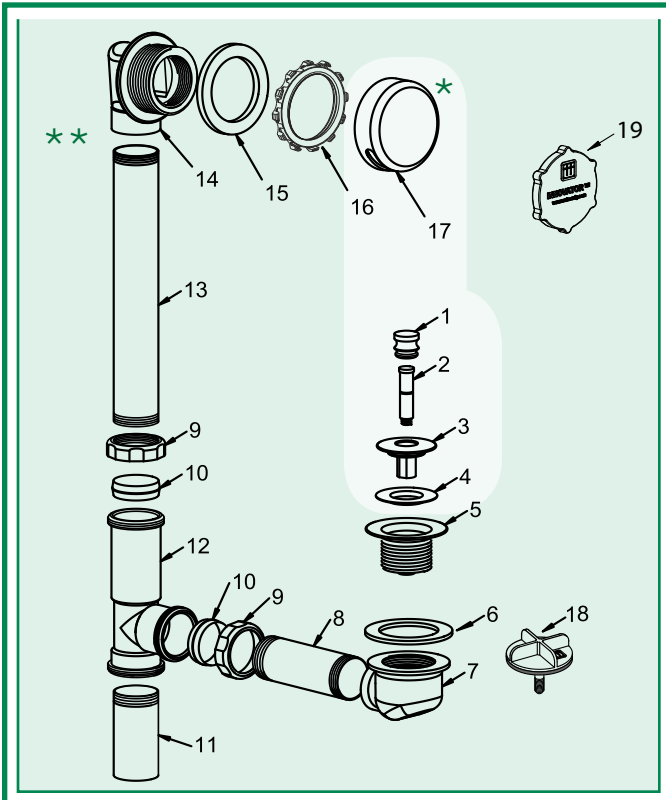
PIPING:

- 17 Gauge (591/598) 20 Gauge (592/599)

Finishes Available in the 591/598 Series:

Tub Closures:	PUSH PULL®	LIFT & TURN	PRESFLO®	FOOT ACT.
CP - Chrome Plated	•	•	•	•
AP - Aged Pewter	•	•	•	
BB - Brushed Bronze	•	•	•	
BN - Brushed Nickel	•	•	•	•
BO - Bone	•	•		
BS - Biscuit	•	•		
BZ - Oil-Rubbed Bronze	•	•	•	•
CB - Chrome Brushed	•	•	•	
NP - Nickel Polished	•	•	•	•
PB - Polished Brass	•	•	•	•
	•	•	•	
WH - White	•	•		
WI - Wrought Iron	•	•	•	

591/598 Series Parts List



Item	Part #	Description
1.	01010CP..	Knob, metal
2.	11510	Friction Ring (11505) and Post (11532)
3.	01013CP..	Stopper, metal
4.	11507	Seal
5.	01016CP..	Strainer Body, metal, 1.865" - 11.5 - 1.25"
6.	10696.....	Drain Ell Washer, 1.5", gray
7.	44006	Drain Ell, Brass
8.	17GA-4.75.....	Drain Ell Tube, 17g, 4.75"
	20GA-4.75.....	Drain Ell Tube, 20g, 4.75"
	For 598-:	17GA-9.625....Drain Ell Tube, 17g, 9.625"
	For 599-:	20GA-9.625....Drain Ell Tube, 20g, 9.625"
9.	41580.....	Brass Slip Nut
10.	11583.....	Slip Joint Polywasher
11.	17GA-3.5....	Tail Piece, 17g, 3.5"
	20GA-3.5....	Tail Piece, 20g, 3.5"
	For 598-:	17GA-9.625.....Tail Piece, 17g, 3.5
	For 599-:	20GA-9.625.....Tail Piece, 20g, 3.5"
12.	44001.....	Brass Tee
13.	17GA-9.625.....	Overflow Ell Tube, 17g, 9.625"
	20GA-9.625.....	Overflow Ell Tube, 20g, 9.625"
	For 598-:	17GA-9.625....OF Ell Tube, 17g, 18.125"
	For 599-:	20GA-9.625....OF Ell Tube, 20g, 18.125"
14.	44005	Overflow Ell, Brass for Innovator®
15.	10675.....	Overflow Ell Washer for Brass
16.	11121.....	Star Retainer Nut for Innovator®
17.	01004CP..	Innovator® Overflow Plate
18.	11575	Test Plug with O-Ring-type Gasket
19.	11114.....	Innovator® OE O-Ring-type Test Cap

* SF: (example: 900-PPSE) Parts #1 thru #4, and #17

** RI: (example: 591-PPRI) Parts #5 thru #16, #18 and #19

OPTIONAL TUB CLOSURES FOR 591/598-SERIES BATH WASTES (PUSH PULL® ALSO SHOWN ABOVE)

PUSH PULL® Coarse Thread	LIFT & TURN Coarse Thread	PRESFLO® Coarse Thread	FOOT ACTUATED Coarse Thread
<ol style="list-style-type: none"> 01010CP 01010__* 11510 01013CP 01013__* 11507 01016CP 01016__* 	<ol style="list-style-type: none"> 01010CP 01010__* 11079 11088 11290CP 01013__* 11507 11492CP 01016__* 	<ol style="list-style-type: none"> 11145CP 11145__* 11132 11060CP 11060__* 96039: Suction Cup for removing stopper 	<ol style="list-style-type: none"> 38412CP 38412__* 11492CP 01016__*
U.S. Pat. No. 4,720,877	U.S. Pat. No. 5,758,368	U.S. Pat. No. 4,457,030	

***If finish other than Chrome is desired, please use this part number and indicate desired finish.**

WITH OPTIONAL
OVERFLOW COVER
Fits Kohler's Tea-for-Two tub.

W591-__-BRS-CP
BN-BZ-CB-NP-PB

Part #01001CP replaces
#01004CP (#17 above).

