

# Tubular Brass

## Model 501/502

For most tubs 14" - 16" high

## Model 551/552

For most tubs up to 24" high

**Sturdy 1.5" 17g and 20g Tubular Brass  
Slip-Joint Assembly**

### SPECIFICATIONS

#### FEATURES:

- Metal strainer body for cast iron or plastic tubs
- Designed for heavy-duty use in hotels, motels, rental properties
- Replaceable drip-proof Buna-N-Seal
- Retainer plate for overflow elbow

#### APPROVALS (501/502, 551/552):

- Manufactured in compliance with ASME A112.18.2-2005/CSA B125.2-2005; TIL MSE-051.

#### PATENTS:

- [www.watcomfg.com/patents](http://www.watcomfg.com/patents)

#### THREAD SIZE (STRAINER BODY AND DRAIN ELBOW):

- 1/2" - 1 1/2" NPSM (Coarse Thread)
- 1.865" Major Diameter (outside thread diameter)
- 11.5 threads per inch

**PIPING:**  17g: 501/551 models  20g: 502/552 models

#### OPTIONS:

- Brass Ferrules (add code "-F" to part number)
- Brass Half Ferrules (add code "-HF" to part number)
- New York Lay-Down Tee (add code "-NY" to part number)
- Slip-'N-Solder (no compression slip joints, add Code "-U")
- Special lengths available:
  - Overflow extension (add code "-EXlength") example: -EX6
  - Drain extension (add code "-Dlength") example: -D4



**ADA**

PRESFLO® (PF) and  
Foot Actuated (FA) only

See price list for complete item numbers and available options.

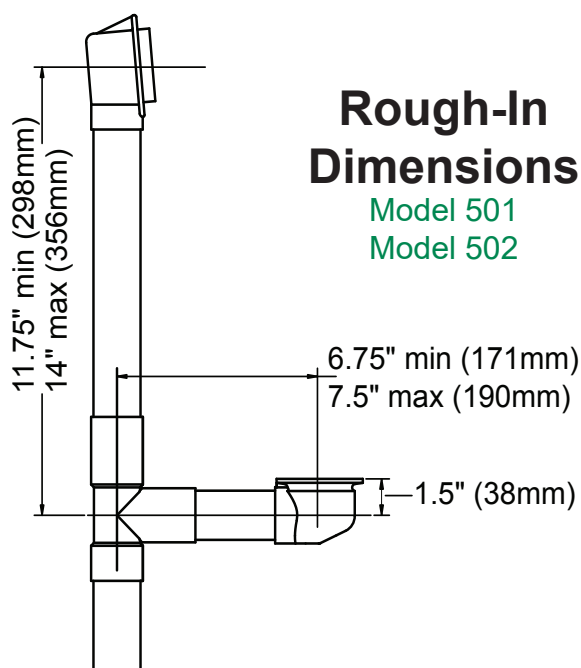
When ordering, please specify complete item number and any applicable option codes.

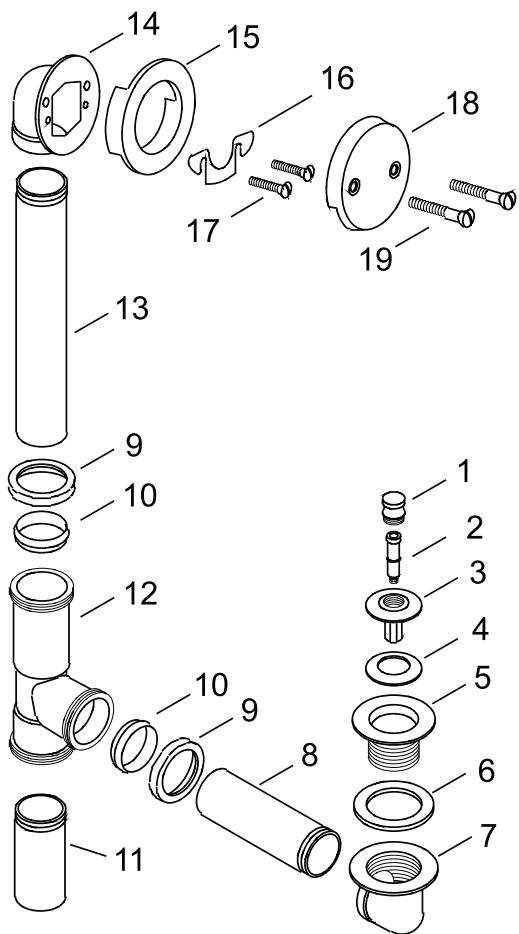
**WATCO**



Always a step ahead

For More Information Contact:  
**WATCO Manufacturing Company**  
1220 South Powell Road  
Independence, MO 64057-2724  
Ph. 816-796-3900 • FAX 816-796-0875  
[www.watcomfg.com](http://www.watcomfg.com)



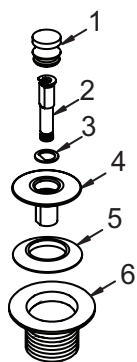


Item	Part #	Description
1	01010CP	PUSH PULL® Knob, brass
2	11584	Friction Ring (11504) and Post (11508)
3	01013CP	Stopper, brass
4	11507	Seal, 1 1/16" dia.
5	01016CP	Strainer Body, metal, 1.865" - 11.5 - 1.25"
6	10696	Drain Ell Washer, 1.5" gray
7	44006	Brass Drain Ell, 1.5" - 11.5
8	17GA-4.75	Drain Ell Tube (17g), 4.75"
	20GA-4.75	Drain Ell Tube (20g), 4.75"
	17GA-9.625	Drain Ell Tube (17g), 9.625" for 551-PP
	20GA-9.625	Drain Ell Tube (20g), 9.625" for 552-PP
9	41580	Brass Slip Nut
10	11583	Slip Joint Polywasher
11	17GA-3.5	Tail Piece (17g), 3.5"
	20GA-3.5	Tail Piece (20g), 3.5"
12	44001	Brass Tee
13	17GA-9.625	Overflow Ell Tube (17g), 9.625"
	20GA-9.625	Overflow Ell Tube (20g), 9.625"
	17GA-18.12	Overflow Ell Tube (17g), 18.125" for 551-PP
	20GA-18.12	Overflow Ell Tube (20g), 18.125" for 552-PP
14	44003	Overflow Ell, Brass
15	40675	Overflow Ell Washer for Brass
16	11530	Retainer Plate
17	41540	Retainer Plate Screw
18	01003CP	Overflow Plate, 2-Hole, metal
19	01024CP	Overflow Plate Screw, 2.25"

\* Please indicate finish desired.

**PUSH PULL®**  
Coarse Thread

1.	01010CP
	01010__*
2.	11584
3.	01013CP
	01013__*
4.	11507
5.	01016CP
	01016__*



**PRESFLO®**  
Coarse Thread

1.	11145CP
	11145__*
2.	11132
3.	11060CP
	11060__*
4.	96039:
	Suction Cup for removing stopper

**FOOT ACTUATED**  
Coarse Thread

1.	38412-CP
	38412-__*
2.	11492-CP
	01016-__*

\*If finish other than Chrome is desired, please use this part number and indicate desired finish.

### Finishes Available in the 501/551 Series:

Tub Closure:	PUSH PULL®	LIFT & TURN	PRESFLO®	FOOT ACT.
CP - Chrome Plated	•	•	•	•
AP - Aged Pewter	•	•	•	•
BB - Brushed Bronze	•	•	•	•
BN - Brushed Nickel	•	•	•	•
BO - Bone	•	•	•	•
BS - Biscuit	•	•	•	•
BZ - Oil-Rubbed Bronze	•	•	•	•
CB - Chrome Brushed	•	•	•	•
NP - Nickel Polished	•	•	•	•
PB - Polished Brass	•	•	•	•
WH - White	•	•	•	•
WI - Wrought Iron	•	•	•	•

