

TR001-MS

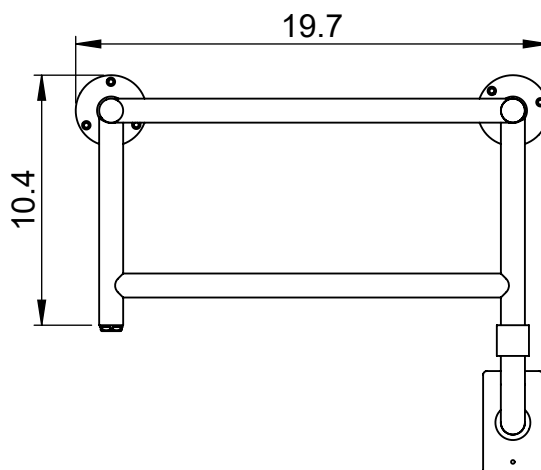
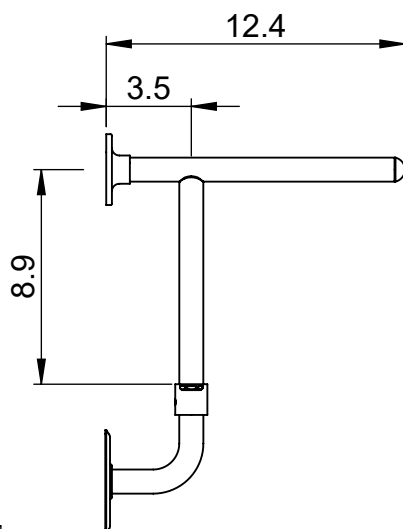
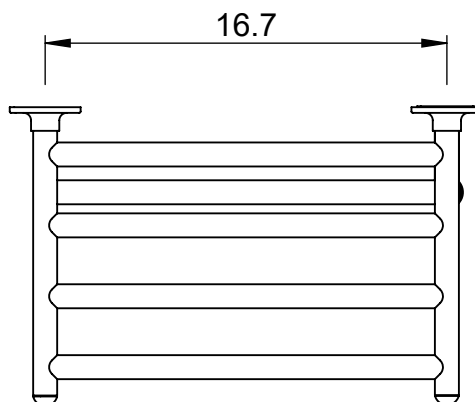
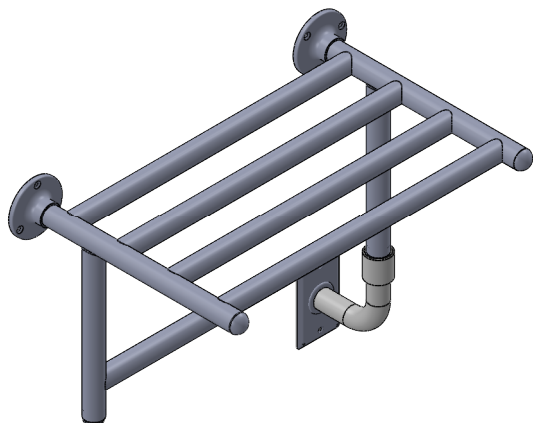
10.4x19.7

Height: 10.4
 Width: 19.7
 Depth: 12.4
 Weight HO: 9.9lbs (4.5kg)
 EO: 14.3lbs (6.5kg)

Tube ϕ : 1.0
 Output @ 50° C Δ T: n/a
 Elec. element if specified: 50
 Pipe Centres: n/a

All dimensions in inches

Manufactured from Mild Steel



inches	mm
10.4	265
19.7	500
12.4	315
8.9	227
16.7	425
3.5	90

Vogue UK Ltd. reserve the right to alter specifications without prior notice.
 ALL MEASUREMENTS ARE NOMINAL DIMENSIONS ONLY, AND ARE NOT BINDING.



SCALE 1:8

VOGUE

TOWEL DRYERS

175 Memorial Drive Unit C
 Shrewsbury MA 01545 USA
 Tel: 508 887 8771 Fax: 508 887 8774
 e-mail: info@vogueuk.com www.vogueuk.com