

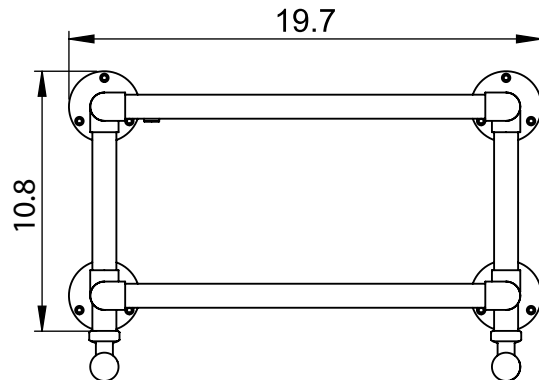
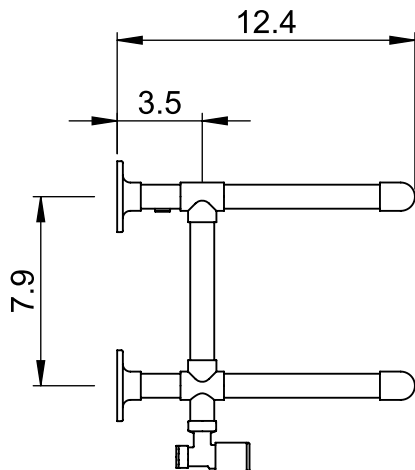
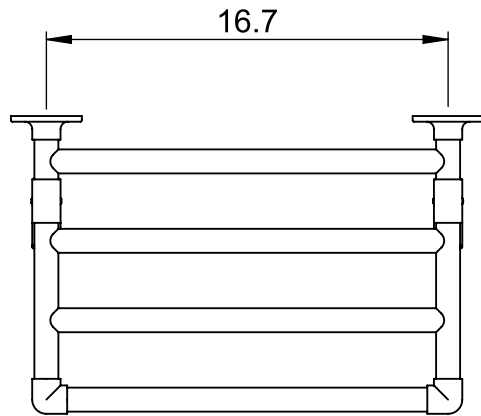
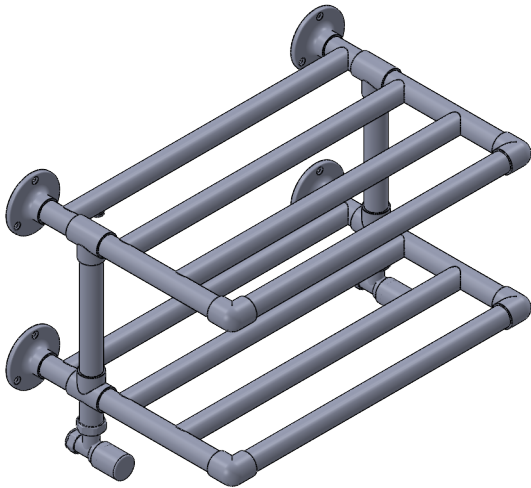
TR002-BR 10.8x19.7

Height: 10.8
Width: 19.7
Depth: 12.4
Weight HO: 9.9lbs (4.5kg)
EO: 14.3lbs (6.5kg)

Tube ϕ : 1.0
Output @ 50°C Δ T: 224
Elec. element if specified: n/a
Pipe Centres: 16.7

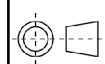
All dimensions in inches

Manufactured from ISO/CEN CuZn36As (BS CZ126) brass tube



| inches | mm |
|--------|-----|
| 10.8 | 275 |
| 19.7 | 500 |
| 12.4 | 315 |
| 7.9 | 200 |
| 16.7 | 425 |
| 3.5 | 90 |

Vogue UK Ltd. reserve the right to alter specifications without prior notice.
ALL MEASUREMENTS ARE NOMINAL DIMENSIONS ONLY, AND ARE NOT BINDING.



SCALE 1:8

VOGUE

TOWEL DRYERS

175 Memorial Drive Unit C
Shrewsbury MA 01545 USA
Tel: 508 887 8771 Fax: 508 887 8774
e-mail: info@vogueuk.com www.vogueuk.com