

TM016A

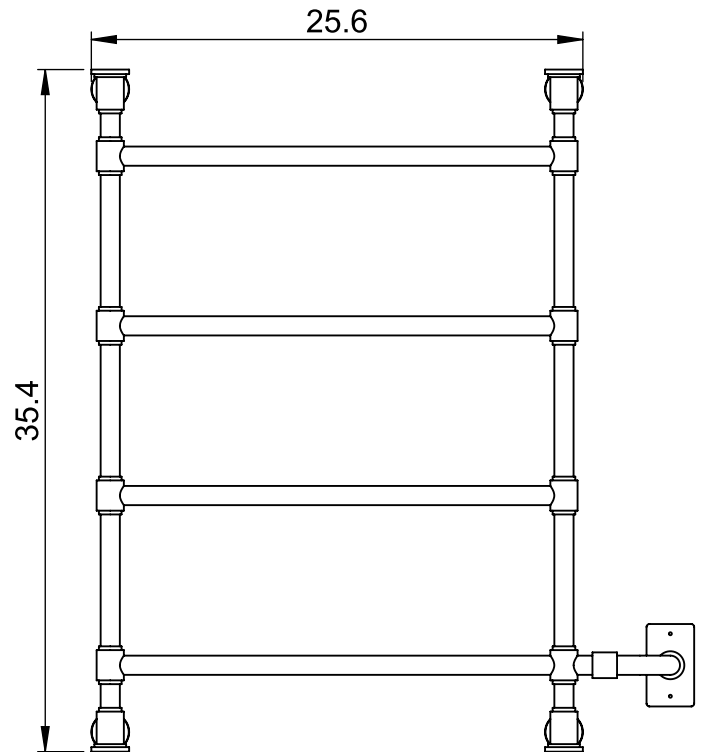
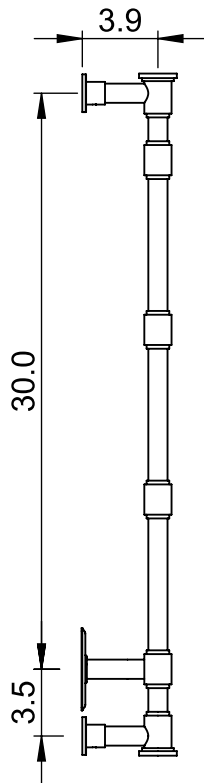
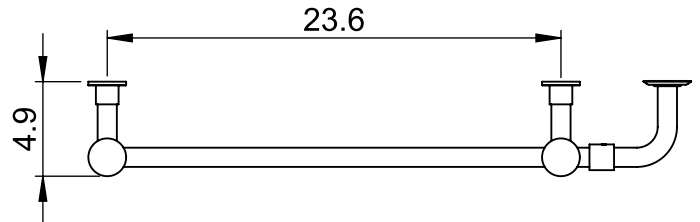
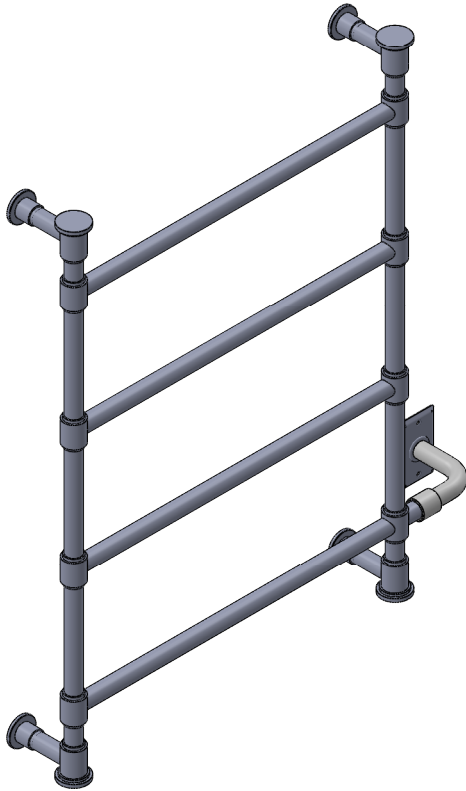
35.4x25.6

Height: 35.4
 Width: 25.6
 Depth: 4.9
 Weight HO: lbs (kg)
 EO: lbs (kg)

Tube ϕ : 1.0
 Output @ 50°C Δ T: n/a
 Elec. element if specified: 100
 Pipe Centres: n/a

All dimensions in inches

Manufactured from ISO/CEN CuZn36As (BS CZ126) brass tube



| inches | mm |
|--------|-----|
| 35.4 | 900 |
| 25.6 | 650 |
| 4.9 | 125 |
| 30.0 | 762 |
| 23.6 | 600 |
| 3.9 | 100 |
| 3.5 | 88 |

Vogue UK Ltd. reserve the right to alter specifications without prior notice.
 ALL MEASUREMENTS ARE NOMINAL DIMENSIONS ONLY, AND ARE NOT BINDING.



SCALE 1:10

VOGUE

TOWEL DRYERS

175 Memorial Drive Unit C
 Shrewsbury MA 01545 USA
 Tel: 508 887 8771 Fax: 508 887 8774
 e-mail: info@vogueuk.com www.vogueuk.com