

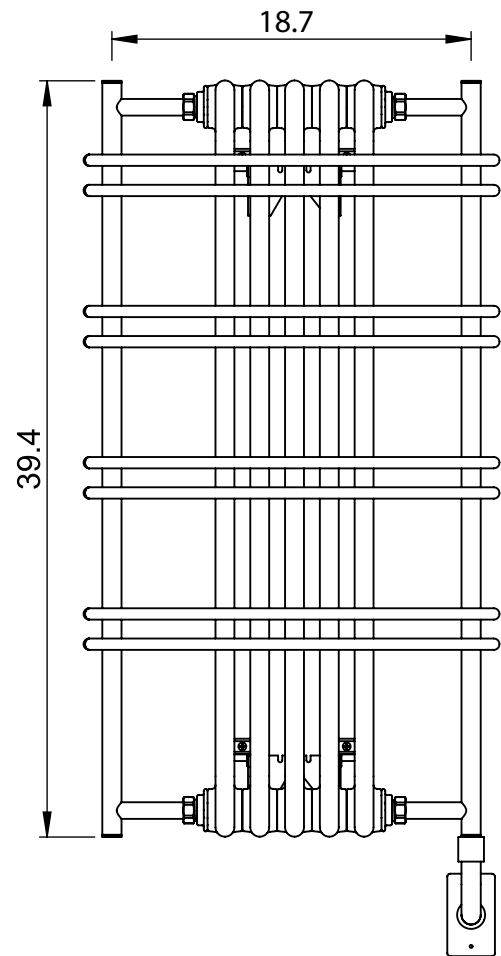
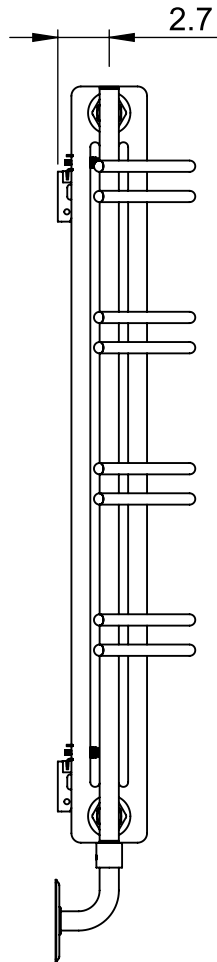
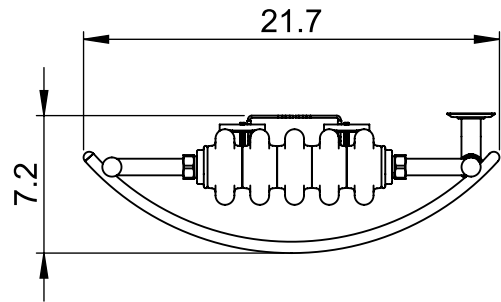
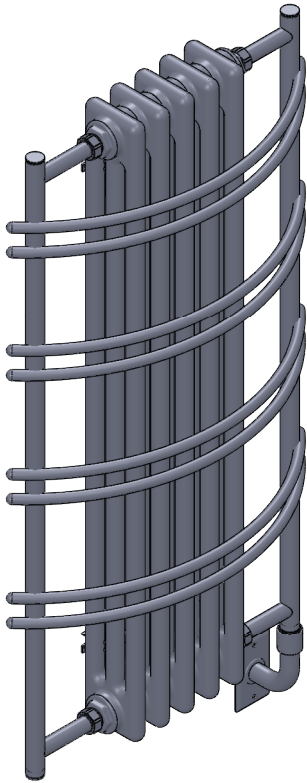
# TM005 39.4x21.7

Height: 39.4  
Width: 21.7  
Depth: 7.2  
Weight HO: 43.0lbs (19.5kg)  
EO: 76.1lbs (34.5kg)

Tube  $\phi$ : 1.0 + 0.6  
Output @ 50°C  $\Delta$  T: n/a  
Elec. element if specified: 400  
Pipe Centres: n/a

All dimensions in inches

Manufactured from ISO/CEN CuZn36As (BS CZ126) brass tube



| inches | mm   |
|--------|------|
| 39.4   | 1000 |
| 21.7   | 550  |
| 7.2    | 182  |
| 18.7   | 475  |
| 2.7    | 68   |

Vogue UK Ltd. reserve the right to alter specifications without prior notice.  
ALL MEASUREMENTS ARE NOMINAL DIMENSIONS ONLY, AND ARE NOT BINDING.



SCALE 1:10

# VOGUE

TOWEL DRYERS

175 Memorial Drive Unit C  
Shrewsbury MA 01545 USA  
Tel: 508 887 8771 Fax: 508 887 8774  
e-mail: info@vogueuk.com www.vogueuk.com