

SCR2.2

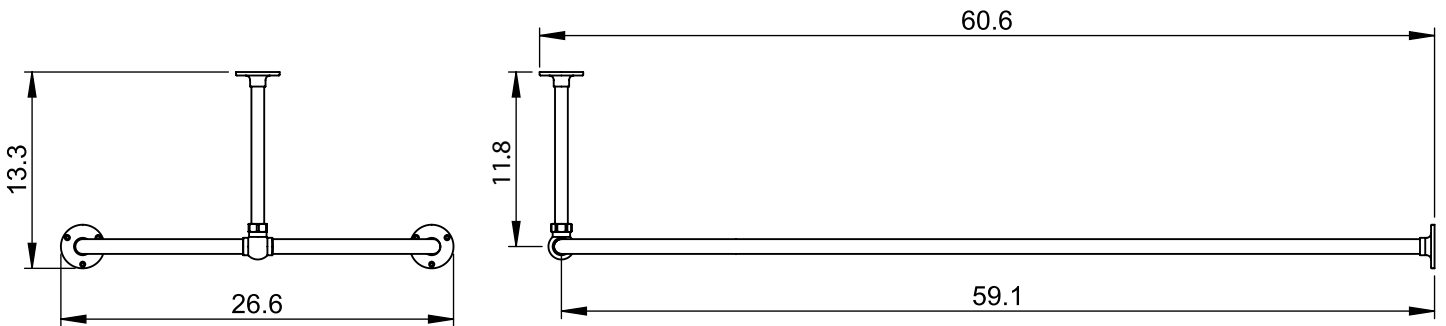
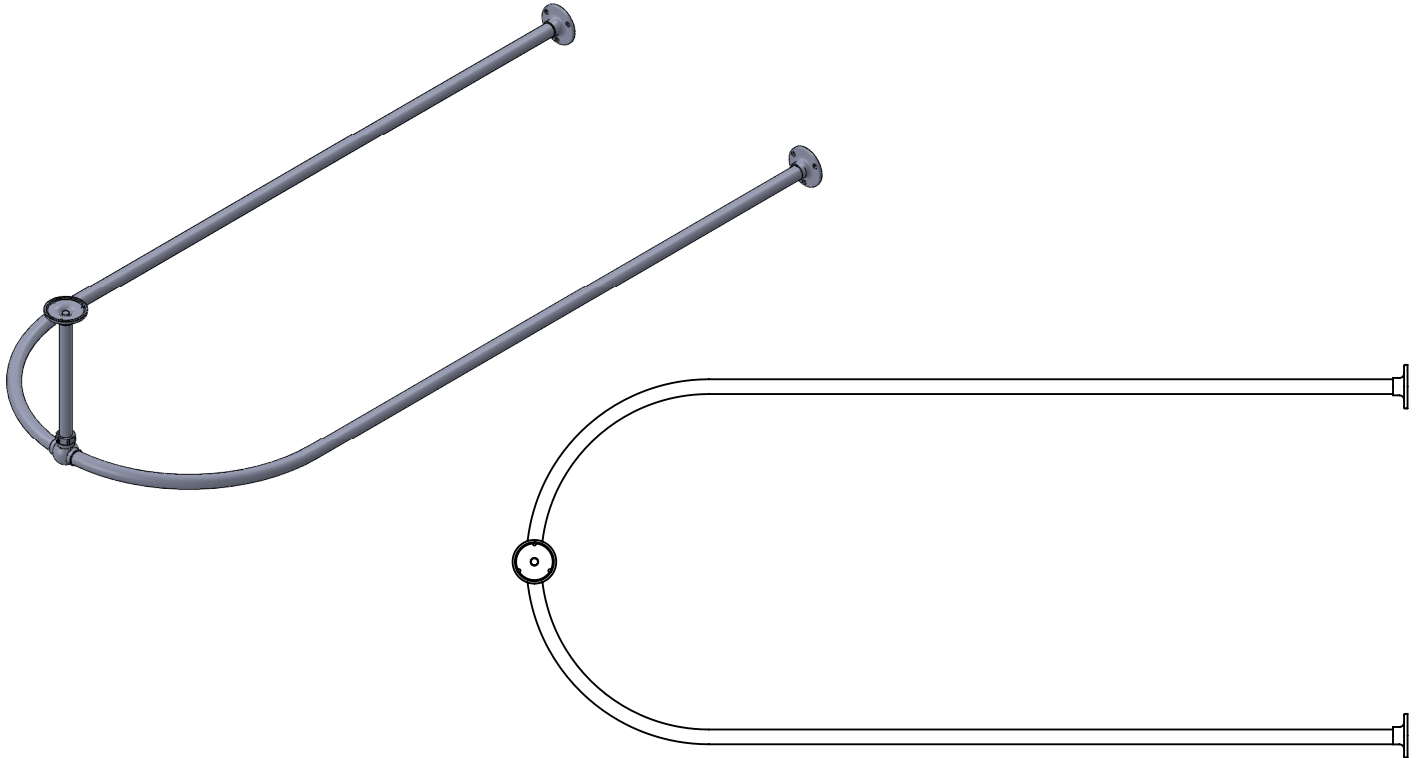
13.3x60.6

Height: 13.3
 Width: 60.6
 Depth: 26.6
 Weight HO: lbs (kg)
 EO: lbs (kg)

Tube ϕ : 1.0
 Output @ 50°C Δ T: n/a
 Elec. element if specified: n/a
 Pipe Centres: n/a

All dimensions in inches

Manufactured from ISO/CEN CuZn36As (BS CZ126) brass tube



inches	mm
13.3	338
60.6	1538
26.6	675
11.8	300
59.1	1500

Vogue UK Ltd. reserve the right to alter specifications without prior notice.
 ALL MEASUREMENTS ARE NOMINAL DIMENSIONS ONLY, AND ARE NOT BINDING.



SCALE 1:13

VOGUE

UK
 TOWEL DRYERS

175 Memorial Drive Unit C
 Shrewsbury MA 01545 USA
 Tel: 508 887 8771 Fax: 508 887 8774
 e-mail: info@vogueuk.com www.vogueuk.com