

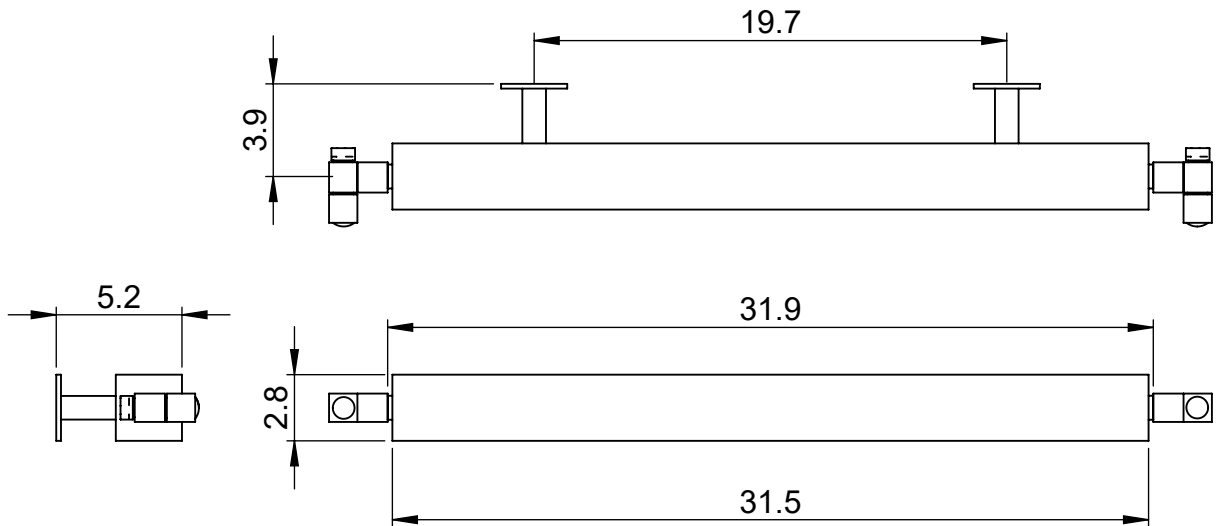
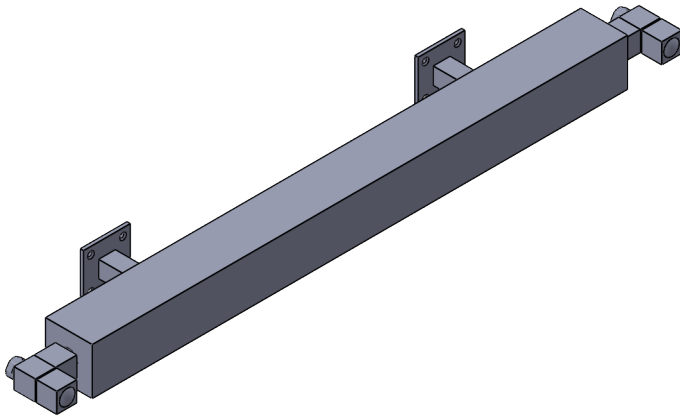
# S70H 2.8x31.5

Height: 2.8  
Width: 31.5  
Depth: 5.3  
Weight HO: lbs (kg)  
EO: lbs (kg)

Tube  $\phi$ : 2.8sq  
Output @ 50° C  $\Delta$  T: 125  
Elec. element if specified: n/a  
Pipe Centres: 31.9

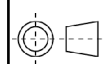
All dimensions in inches

Manufactured from 1.4301/X5CrNi18-10 stainless steel



inches	mm
2.8	70
31.5	800
5.2	132
3.9	100
19.7	500
31.9	810

Vogue UK Ltd. reserve the right to alter specifications without prior notice.  
ALL MEASUREMENTS ARE NOMINAL DIMENSIONS ONLY, AND ARE NOT BINDING.



**SCALE 1:8**

**VOGUE**  
TOWEL DRYERS

175 Memorial Drive Unit C  
Shrewsbury MA 01545 USA  
Tel: 508 887 8771 Fax: 508 887 8774  
e-mail: info@vogueuk.com www.vogueuk.com