

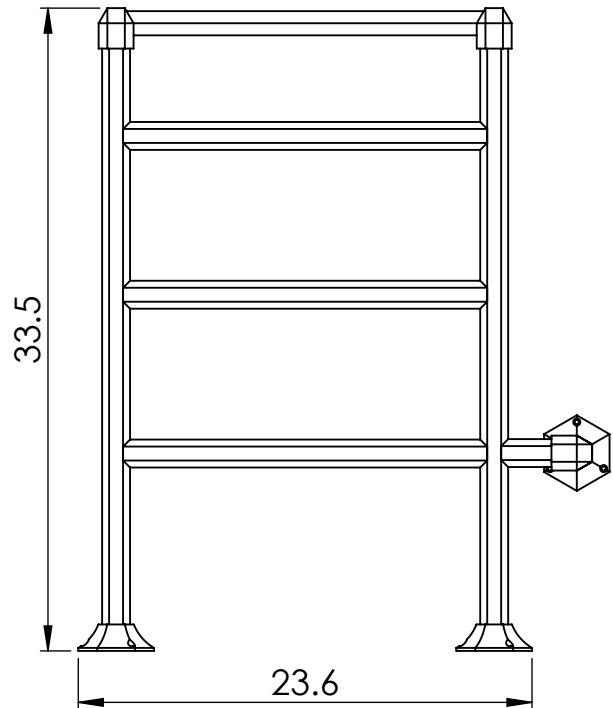
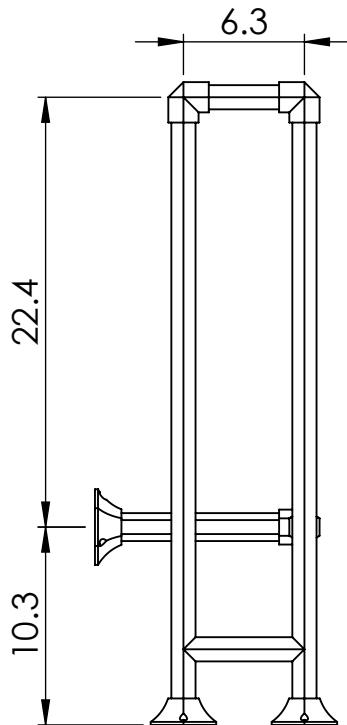
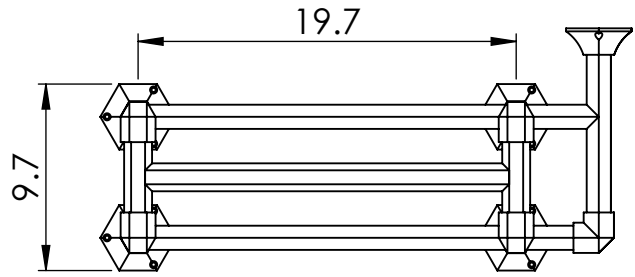
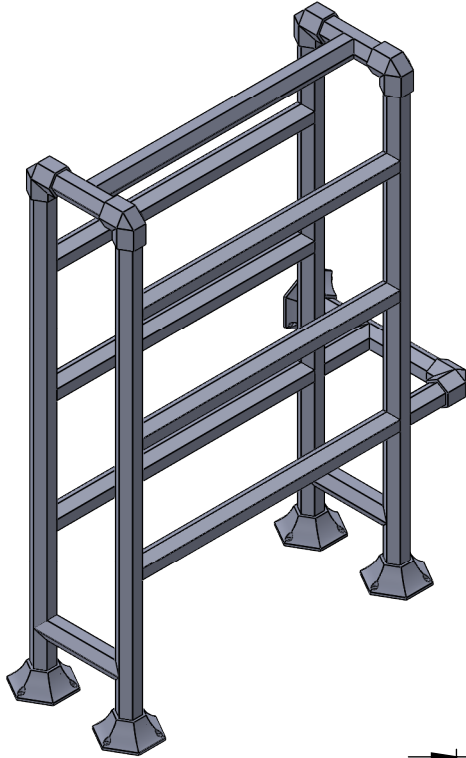
OG022 33.5x23.6

Height: 33.5
Width: 23.6
Depth: 9.7
Weight HO: lbs (kg)
EO: lbs (kg)

Tube ϕ : 1.26 Hex
Output @ 50°C Δ T: n/a
Elec. element if specified: 100 x2
Face-Face Connections: n/a

All dimensions in inches

Manufactured from ISO/CEN CuZn36As (BS CZ 126) brass tube



inches	mm
33.5	850
23.6	600
9.7	246
22.4	570
10.3	260
19.7	500
6.3	160

Vogue UK Ltd. reserve the right to alter specifications without prior notice.
ALL MEASUREMENTS ARE NOMINAL DIMENSIONS ONLY, AND ARE NOT BINDING.



SCALE 1:10

VOGUE

TOWEL DRYERS

175 Memorial Drive Unit C
Shrewsbury MA 01545 USA
Tel: 508 887 8771 Fax: 508 887 8774
e-mail: info@vogueuk.com www.vogueuk.com