

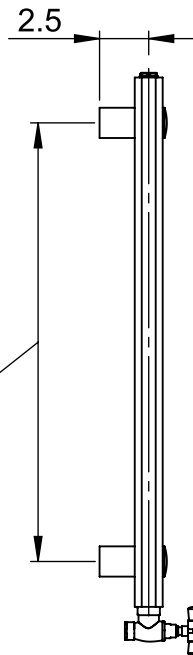
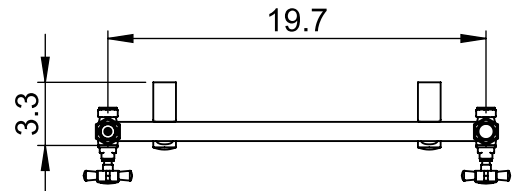
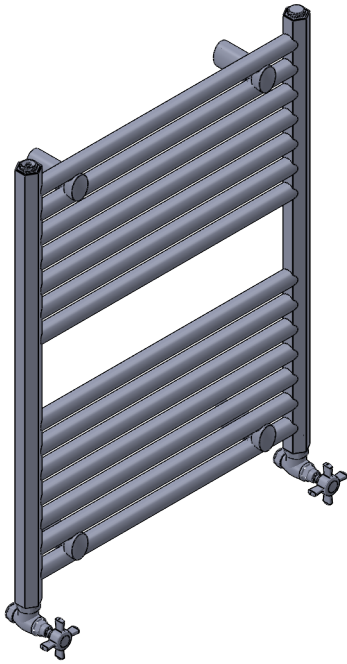
# OG021 27.6x20.9

Height: 27.6  
Width: 20.9  
Depth: 3.3  
Weight HO: lbs (kg)  
EO: lbs (kg)

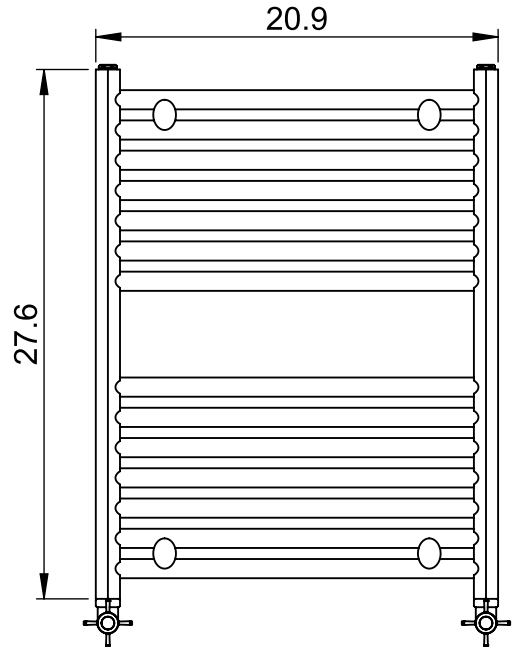
Tube  $\phi$ : 1.26 Hex + 1.0  
Output @ 50°C  $\Delta$  T: 354  
Elec. element if specified: n/a  
Pipe Centres: 19.7

All dimensions in inches

Manufactured from ISO/CEN CuZn36As (BS CZ126) brass tube



Brackets extendable by a further 0.9 inches



inches	mm
27.6	700
20.9	532
3.3	83
19.7	500
2.5	65

Vogue UK Ltd. reserve the right to alter specifications without prior notice.  
ALL MEASUREMENTS ARE NOMINAL DIMENSIONS ONLY, AND ARE NOT BINDING.



SCALE 1:10

# VOGUE

TOWEL DRYERS

175 Memorial Drive Unit C  
Shrewsbury MA 01545 USA  
Tel: 508 887 8771 Fax: 508 887 8774  
e-mail: info@vogueuk.com www.vogueuk.com